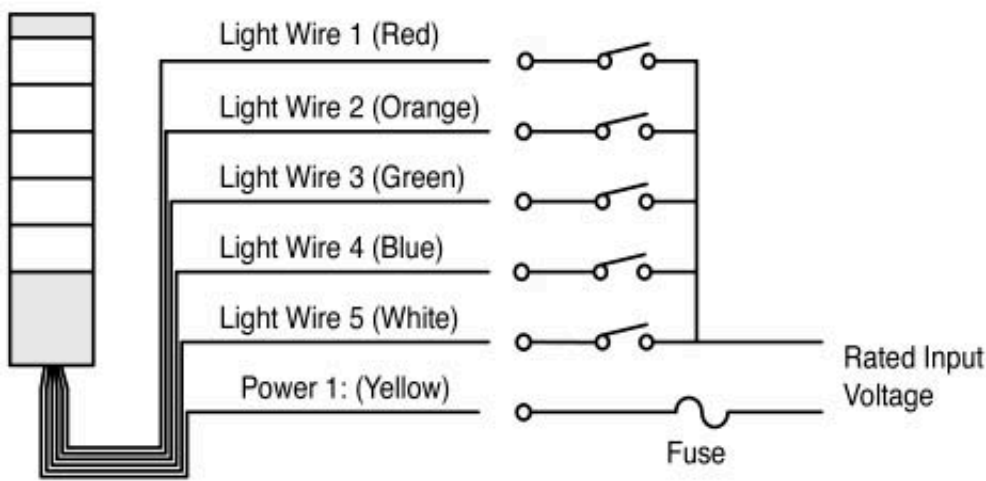




Patlite (U.S.A.) Corporation
3860 Del Amo Blvd. Suite 401
Torrance, CA 90503
Phone: 310-214-3222
Fax: 310-214-9999

LCE Series Wiring Diagrams

Diagram #1 - Continuous Only (24V AC/DC)



Please Note: The Yellow Wire is for Power, and the Orange Wire is for the Yellow Light.

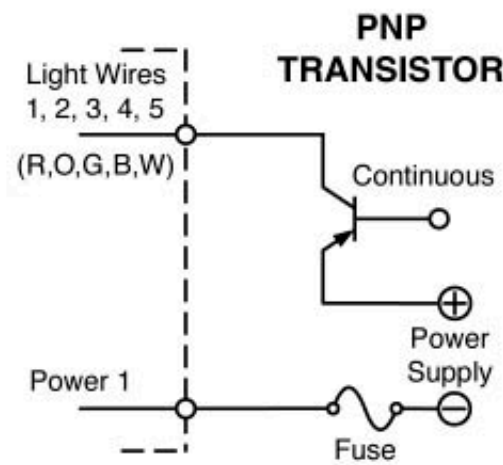
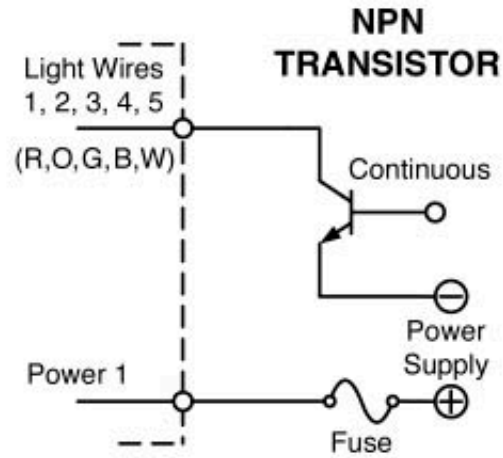
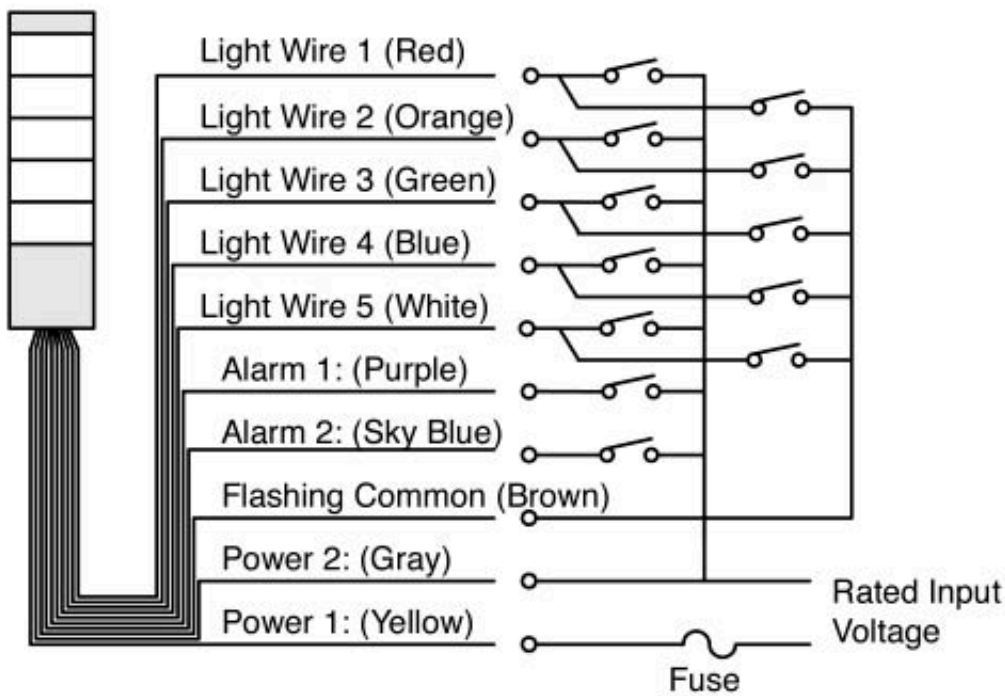
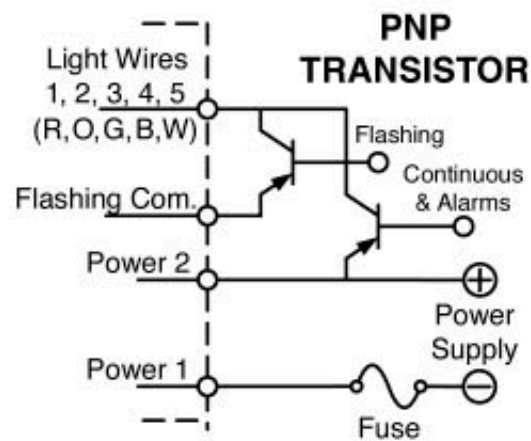
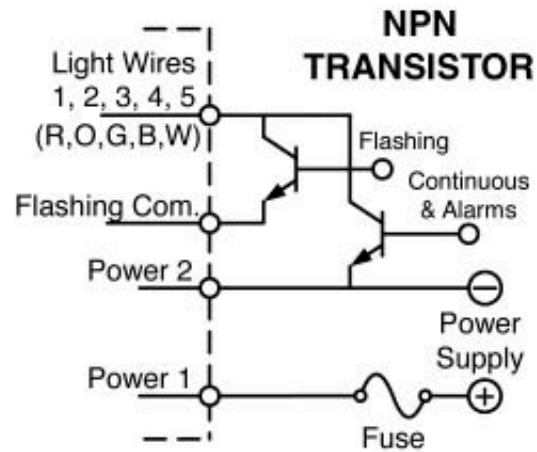


Diagram #2 - Continuous and Flashing with Alarm(s) (24V AC/DC)



Please Note: The Yellow Wire is for Power, and the Orange Wire is for the Yellow Light.





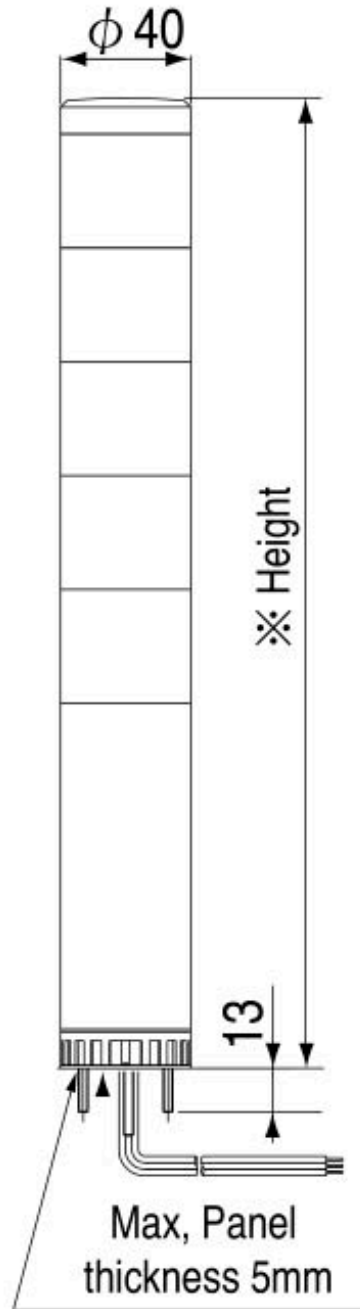
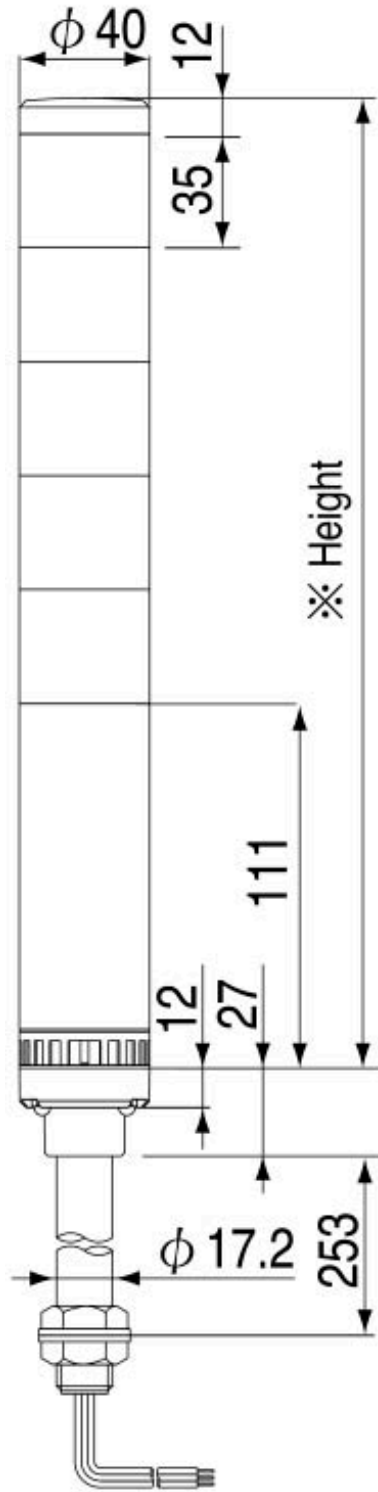
Patlite (U.S.A.) Corporation
 3860 Del Amo Blvd. Suite 401
 Torrance, CA 90503
 Phone: 310-214-3222
 Fax: 310-214-9999

LCE Series Mechanical Diagrams

Pole Mount

Direct Mount

(all Dimensions in mm)



For AC/DC 24V:

※Height (mm)
1 Light : 158
2 Lights : 193
3 Lights : 228
4 Lights : 263
5 Lights : 298

Wire Lengths:
 LCE: 950
 LCE-W: 1250

For AC 90-250V:

※Height (mm)
1 Light : 213
2 Lights : 248
3 Lights : 283
4 Lights : 318
5 Lights : 353

Bracket for Pole Mount:

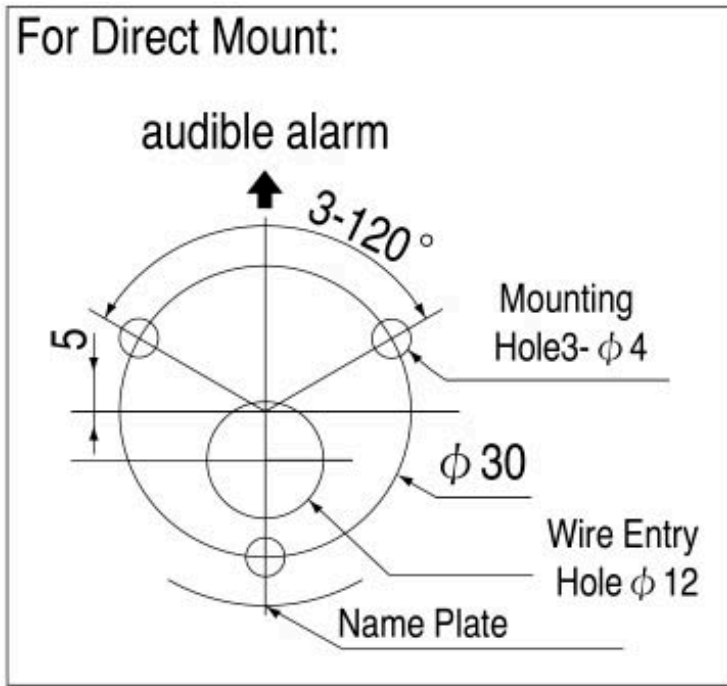
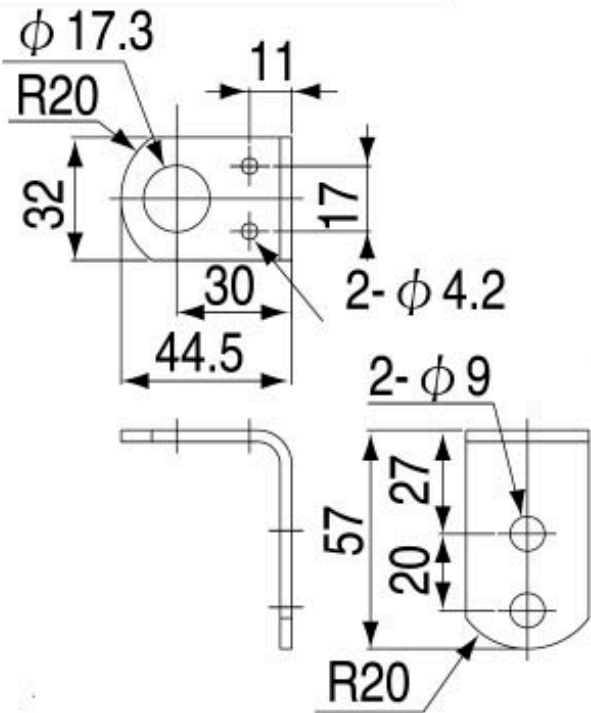
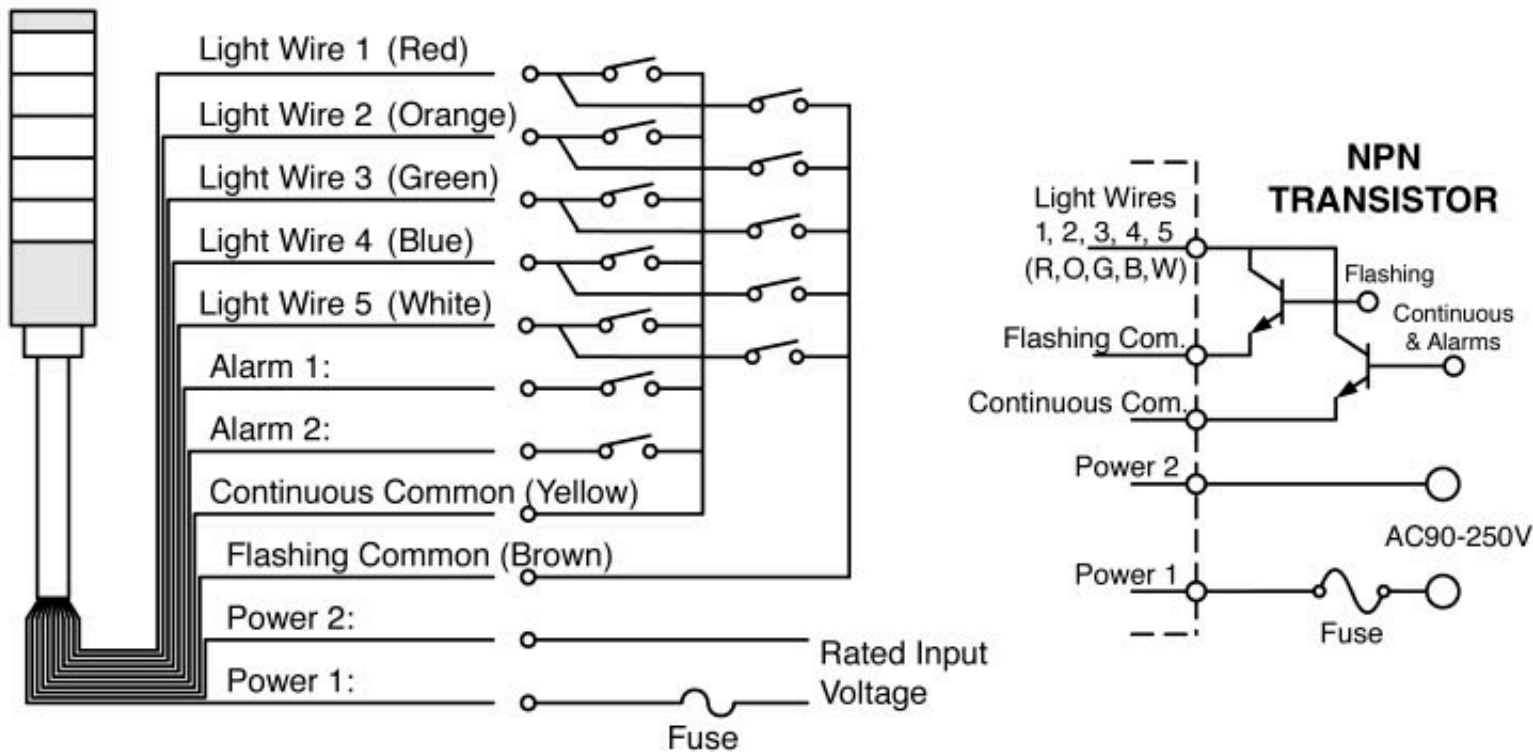


Diagram #3 - Continuous or Continuous and Flashing with Alarm(s) (90 to 250V AC - Free Voltage)



Model	Wire Colors: Power	Wire Colors: Alarms
LCE	Power 1: Black Power 2: Gray	Alarm 1: None Alarm 2: None
LCE-FB	Power 1: Black Power 2: Gray	Alarm 1: Purple Alarm 2: Sky Blue

Please Note: The Yellow Wire is the Continuous Common, and the Orange Wire is for the Yellow Light.

NOTES:

- 1) Free Voltage version (AC90-250V model) includes ground wire (Green/Yellow).
- 2) For Free Voltage version, the Continuous Only version does not include the Flashing Common (Brown) wire.
- 3) Transistors, switches, and fuses shown are to be supplied by the customer.
- 4) Fuse rating is 1A.
- 5) Never connect Brown to Gray.
- 6) All 5 light wires are supplied even if not all colors are used.
- 7) Lead wire colors shown correspond to LED module colors, except that the Orange wire is for the Yellow light.