



Brand of NTN Group

Technical data

UCF207CC

Bearing units

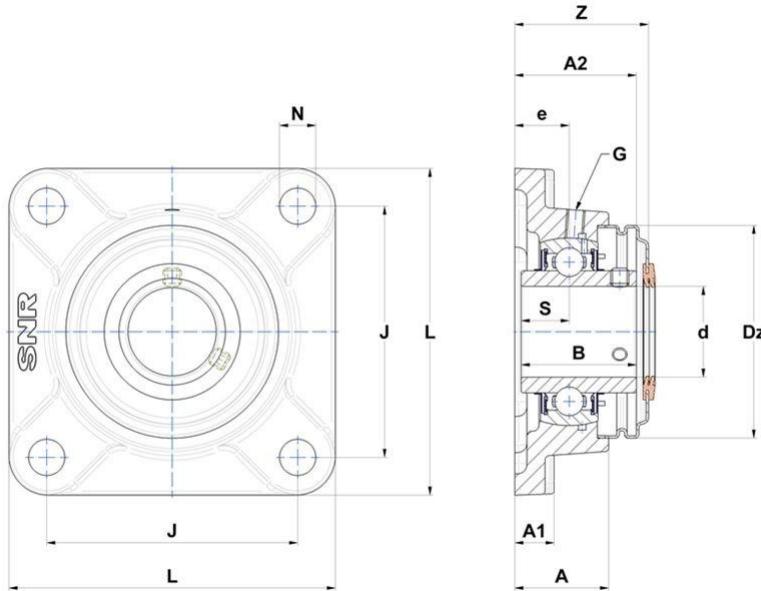


Grey cast housing, radial insert ball bearing with socket set screws, seal with slinger. In the figure, flanged bearing units are presented with open cover. The product you have chosen is equipped with closed cover.

KIT CONTENT

UC207G2, SCC207, F207N

VISUAL (S)



PRODUCT DEFINITION

Brand	SNR
A - Housing height	34 mm
A1 - Housing foot height / flange height	15 mm
A2 - Total height from mounting surface	44,4 mm
B - Width of Inner Ring	42,9 mm



NTN Europe

1 rue des Usines · BP 2017 · 74010 Annecy Cedex · France · Tel. +33 (0)4 50 65 30 00
S.A. au capital de 322 639 919 € · RCS ANNECY B 325 821 072 · Id. Fiscale : FR 48 325 821 072
SIRET 325 821 072 00015 · Code APE 2815 Z · Code NACE 28.15

PRODUCT DEFINITION

d - Shaft diameter	35 mm
Dz - Outer diameter of cover	80 mm
e - Distance mounting surface to bearing center	19 mm
G - Grease fitting	M6x1
J - Mounting holes distance	92 mm
L - Housing width / diameter	117 mm
N - Mounting hole dimension	14 mm
S - Distance front side/bearing centre	17,5 mm
Z - Width over covers	48,3 mm

PRODUCT PERFORMANCE

C - Dynamic load rating	25700000 mN
C0 - Static load rating	15200000 mN
Operating temperature min.	253,15 °K
Operating temperature max.	373,15 °K

OTHER FEATURES

Mass	1,542 kg
Recommended tightening torque for set screw	11.5 N-m

