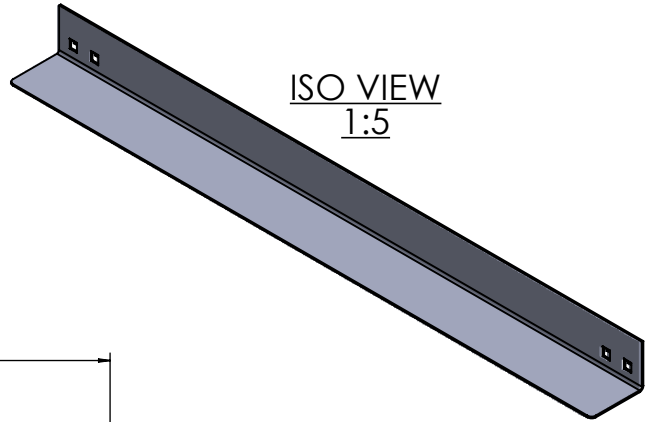


1 2 3 4 5 6

A

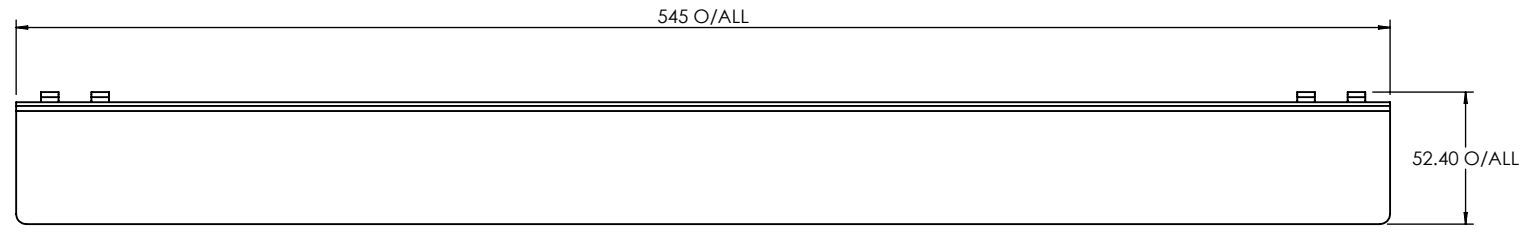
A

ISO VIEW
1:5



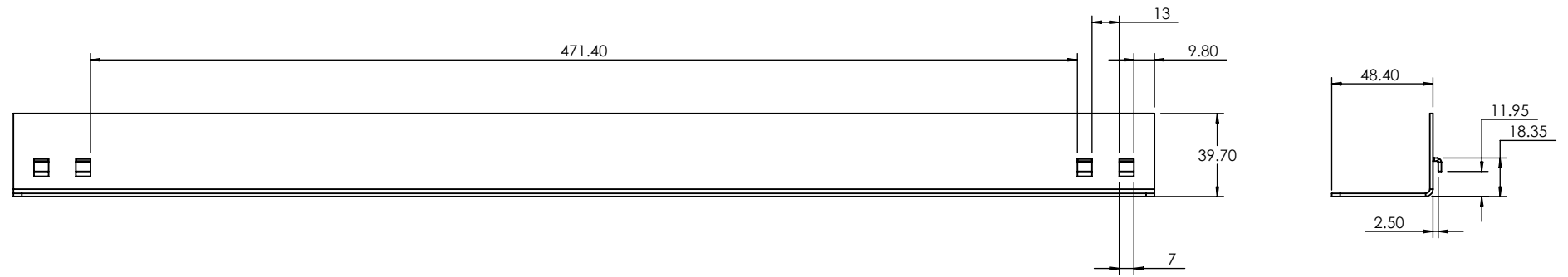
B

B



C

C



D

| | | | | | | | | | |
|---|-----------------|-------------|---------------|--|--|--|--|--------------|--|
| JAMES CARTER RD, MILDENHALL, SUFFOLK. IP28 7DE TEL: 01638 716101 FAX: 01638 716554 EMAIL: Sales@CamdenBoss.com WEB: www.CamdenBoss.com | | | | UNLESS OTHERWISE SPECIFIED: DIMENSIONS ARE IN MILLIMETERS | | DO NOT SCALE DRAWING | | REVISION. ○ | |
| | | | | GENERAL TOLERANCES +/- 0.2 | | TITLE: DIMENSION DRAWING FOR CLIP ON GUIDES | | | |
| | | | | FINISH. ZINC PLATED | | DWG NO. CAXCSG545 | | A4 | |
| DRAWN | NAME IAN PAGANO | SIGNED I.P. | DATE 08/01/14 | MATERIAL. 1.2 MILD STEEL | | SCALE 1:3 | | SHEET 1 OF 1 | |
| CHK'D | - | - | - | PROJECTION. | | | | | |

1 2 3