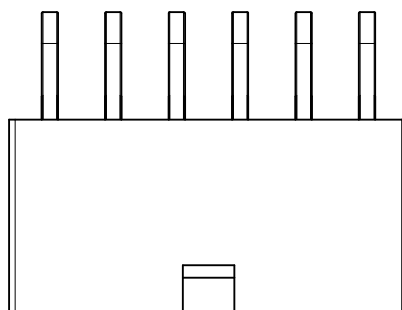


NATURAL HEADERS						
PART NUMBER	ENG NUMBER	CKT. SIZE	PLATING	DIM "A"	DIM "B"	PACKAGING
30070-1232		12	GOLD	1.039	.827	BULK
30070-1235			TIN	(26.40)	(21.00)	
30070-1032		10	GOLD	.874	.661	
30070-1035			TIN	(22.20)	(16.80)	
30070-0832		8	GOLD	.709	.496	
30070-0835			TIN	(18.00)	(12.60)	
30070-0632		6	GOLD	.543	.331	
30070-0635			TIN	(13.80)	(8.40)	
30070-0432		4	GOLD	.378	.165	
30070-0435			TIN	(9.60)	(4.20)	
30070-0232		2	GOLD	.213	—	
30070-0235			TIN	(5.40)	—	

BLACK HEADERS						
PART NUMBER	ENG NUMBER	CKT. SIZE	PLATING	DIM "A"	DIM "B"	PACKAGING
30070-1212		12	GOLD	1.039	.827	BULK
30070-1215			TIN	(26.40)	(21.00)	
30070-1012		10	GOLD	.874	.661	
30070-1015			TIN	(22.20)	(16.80)	
30070-0812		8	GOLD	.709	.496	
30070-0815			TIN	(18.00)	(12.60)	
30070-0612		6	GOLD	.543	.331	
30070-0615			TIN	(13.80)	(8.40)	
15-97-8048	30070-04B1	4	GOLD	.378	.165	
15-97-8043	30070-04B3		TIN	(9.60)	(4.20)	
15-97-8028	30070-02B1	2	GOLD	.213	—	
15-97-8023	30070-02B3		TIN	(5.40)	—	



FINISHED PART LEGEND

30070 - * * * * *

BASE NUMBER ———

CIRCUIT SIZE ———

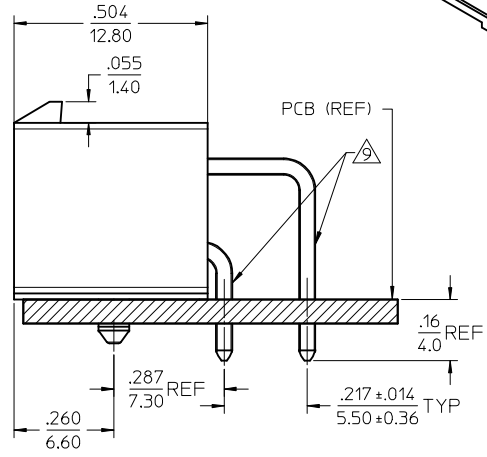
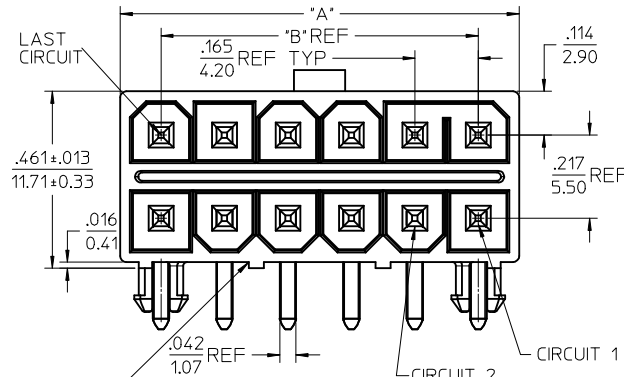
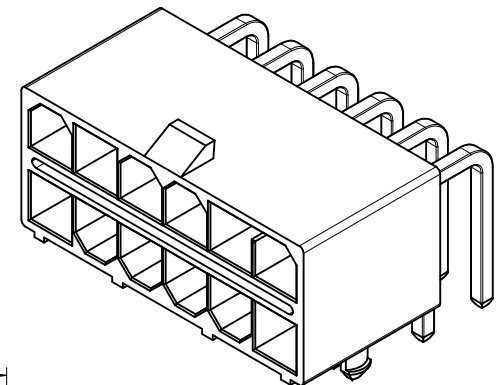
PCB MOUNTING & COLOR ———

*'B' OR *'1' = PEG, COLOR = BLACK

*'A' = FLANGE (SEE SHEET 2)

*'3' = PEG, COLOR = NATURAL

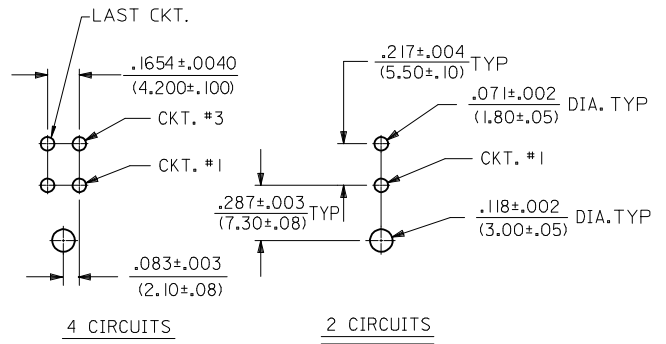
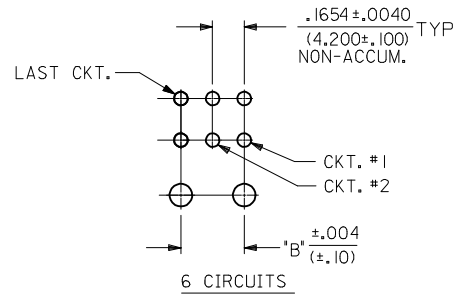
PLATING (SEE NOTE 2)



SHOWN WITH OPTIONAL CENTER RIBS
MAY OR MAY NOT BE PRESENT
DEPENDING ON CIRCUIT SIZE

- NOTES:
- MATERIAL:
HOUSING: POLYESTER, UNFILLED, UL94 V-0,
COLOR: SEE CHART
TERMINALS: BRASS
 - TERMINAL PLATING:
3 OR 5-.000100/(0.00254) MIN. MATTE TIN OVER
.000050/(0.00127) MIN. NICKEL
1 OR 2-.000030/(0.00076) MIN. SELECT GOLD AND
.000100/(0.00254) MIN. SELECT MATTE TIN OVER
.000050/(0.00127) MIN. NICKEL OVERALL
 - PRODUCT SPECIFICATION: PS-5556-003
 - PACKAGING: SEE CHARTS: BULK PER PK-30070-001
TRAY PER PK-44483-001
 - PART MATES WITH MINI-FIT JR. TPA RECEPTACLE 30067.
 - PARTS ARE NOT TO BE MATED OR UNMATED WHILE
CIRCUITS ARE LIVE.
 - DISCOLORATION ON THE BANDOLIER CARRIER AREA OF
THE PIN IS INHERENT TO THE PLATING PROCESS
AND IS DUE TO THE MASKING EFFECT OF THE CARRIER.
THIS DISCOLORATION IS IN A NON-FUNCTIONAL AREA
OF THE PIN AND WILL NOT AFFECT THE PREFORMRANCE
OF THE HEADER ASSEMBLY.
 - PARTS CONFORM TO CLASS "B" REQUIREMENTS OF
COSMETIC SPECIFICATION PS-45499-002.
 - FORMING MARKS ARE ACCEPTABLE.
 - PARTS ARE NOT DESIGNED FOR CURRENT SHARING.

**OPTION 1 AND 3
PEG MOUNT**
SEE SHEET 2 FOR FLANGE MOUNT



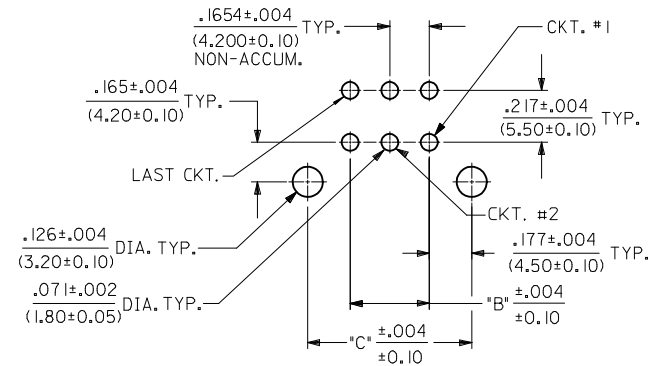
NOTE:
DIMENSIONS SHOWN IN THIS
VIEW ARE TYPICAL FOR ALL
P.C.B. CONFIGURATIONS FROM
6-16 CIRCUITS.

RECOMMENDED HOLE LAYOUT FOR .070/(1.78) MAX. P.C.BOARD
VIEWED FROM COMPONENT SIDE OF BOARD

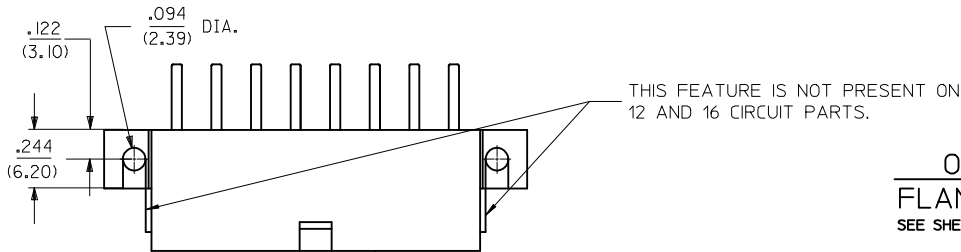
ADD TOL TO PCB EC NO: UCP2015-3865 DRWN: DFOX 2015/04/10 CHKD: JBELL 2015/04/10 APPR: FSMITH 2015/04/16	QUALITY SYMBOLS ▽=0 ▽=0 ▽=0	GENERAL TOLERANCES (UNLESS SPECIFIED)		DIMENSION STYLE		SCALE	DESIGN UNITS	THIRD ANGLE PROJECTION	
		mm	INCH	IN/MM		4:1	METRIC		
		4 PLACES ±---	±---	DRAWN BY	DATE	TITLE			
		3 PLACES ±---	±.010	TGREGORI	2006/03/28	MINI-FIT TPA RIGHT ANGLE HEADER ASSY			
		2 PLACES ±0.25	±.014	CHECKED BY	DATE	molex			
1 PLACE ±0.36	±---	JCOMERCI	2006/03/28						
0 PLACE ±	±	APPROVED BY	DATE	DOCUMENT NO.		SHEET NO.			
		FSMITH	2010/04/09	SEE CHART		SD-30070-001		1 OF 2	
DRAFT WHERE APPLICABLE MUST REMAIN WITHIN DIMENSIONS		ANGULAR ±1/2°		THIS DRAWING CONTAINS INFORMATION THAT IS PROPRIETARY TO MOLEX INCORPORATED AND SHOULD NOT BE USED WITHOUT WRITTEN PERMISSION					

BLACK FLANGE MOUNT HEADERS

CKT. SIZE	PART NUMBER	ENG NUMBER	PLATING	DIM "A"	DIM "B"	DIM "C"	DIM "D"	PACKAGING	
2	15-97-8022	30070-02A3	TIN	.213	---	.354	.606	BULK	
	15-97-8027	30070-02A1	GOLD	(5.40)	---	(9.00)	(15.40)		
4	15-97-8042	30070-04A3	TIN	.378	.165	.520	.772		
	15-97-8047	30070-04A1	GOLD	(9.60)	(4.20)	(13.20)	(19.60)		
6	15-97-8062	30070-06A3	TIN	.543	.331	.685	.937		
	15-97-8067	30070-06A1	GOLD	(13.80)	(8.40)	(17.40)	(23.80)		
8	15-97-8082	30070-08A3	TIN	.709	.496	.850	1.102		
	15-97-8087	30070-08A1	GOLD	(18.00)	(12.60)	(21.60)	(28.00)		
10	15-97-8102	30070-10A3	TIN	.874	.661	1.016	1.268		TRAY
	15-97-8107	30070-10A1	GOLD	(22.20)	(16.80)	(25.80)	(32.20)		
12	15-97-8122	30070-12A3	TIN	1.039	.827	1.181	1.433		
	15-97-8127	30070-12A1	GOLD	(26.40)	(21.00)	(30.00)	(36.40)		
16	15-97-8162	30070-16A3	TIN	1.370	1.157	1.512	1.764		
	15-97-8167	30070-16A1	GOLD	(34.80)	(29.40)	(38.40)	(44.80)		

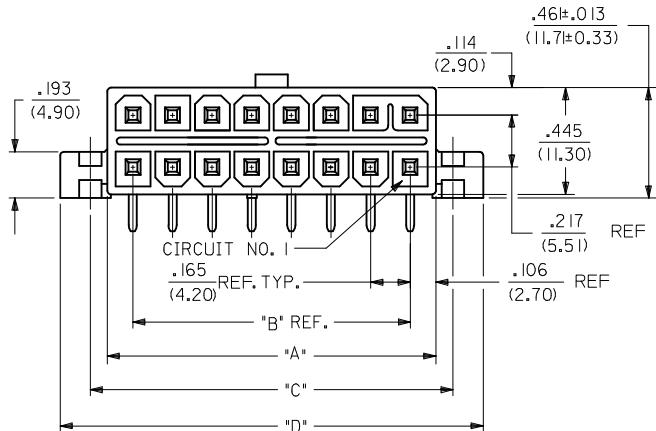
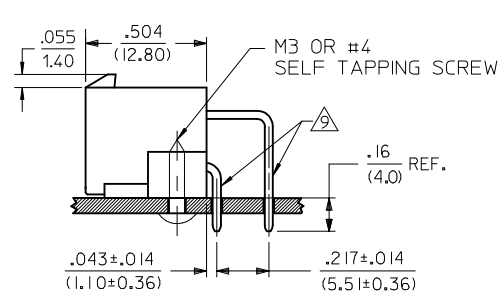
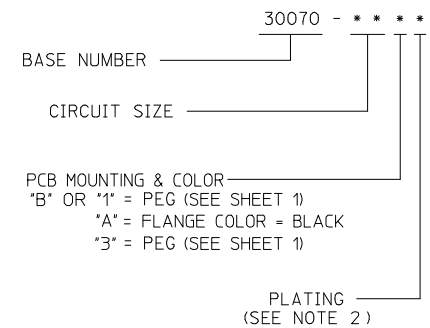


RECOMMENDED HOLE LAYOUT FOR .070/(1.78) MAX. P.C. BOARD
VIEWED FROM COMPONENT SIDE OF BOARD



OPTION 2 FLANGE MOUNT SEE SHEET 1 FOR PEG MOUNT

FINISHED PART LEGEND



SEE SHEET 1 EC NO: UCP2015-3865 DRWN: DFOX CHKD: BELL APPR: FSMITH	2015/04/10 2015/04/10 2015/04/16	DESCRIPTION	QUALITY SYMBOLS	GENERAL TOLERANCES (UNLESS SPECIFIED)	DIMENSION STYLE		SCALE	DESIGN UNITS	THIRD ANGLE PROJECTION
			▽=0 ▽=0 ▽=0		IN/MM	4:1	METRIC		
D5	REV	DESCRIPTION	▽=0	mm	DRAWN BY	DATE	TITLE	DOCUMENT NO.	SHEET NO.
			▽=0	INCH	TGREGORI	2006/03/28			
			▽=0	4 PLACES ± --- ± ---	CHECKED BY	DATE	MINI-FIT TPA RIGHT ANGLE HEADER ASSY	SD-30070-001	2 OF 2
			▽=0	3 PLACES ± --- ± .010	JCOMERCI	2006/03/28			
				2 PLACES ± 0.25 ± .014	APPROVED BY	DATE	molex		
				1 PLACE ± 0.36 ± ---	FSMITH	2010/04/09			
				0 PLACE ± ±	MATERIAL NO.				
				ANGULAR ±1/2°	SEE CHART				
				DRAFT WHERE APPLICABLE MUST REMAIN WITHIN DIMENSIONS	THIS DRAWING CONTAINS INFORMATION THAT IS PROPRIETARY TO MOLEX INCORPORATED AND SHOULD NOT BE USED WITHOUT WRITTEN PERMISSION				