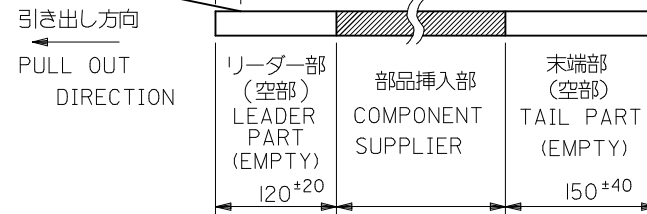
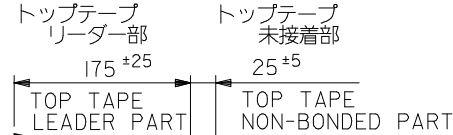


注記 NOTES

1. 製品番号 52746-***39 の梱包状態はアクチュエータがロックした状態とする。
 詳細寸法については図面 SD-52746-025 を参照下さい。
 IN THE PACKAGE,ACTUATOR OF PART NO.52746-***39 SHOULD BE LOCKED
 RE DETAILED DIMENSIONS,SEE SD-52746-025

2. 梱包数量：1000個/リール
 NUMBER OF CONNECTORS:1000PCS/REEL

3. リードテープ長さ LEAD TAPE LENGTH

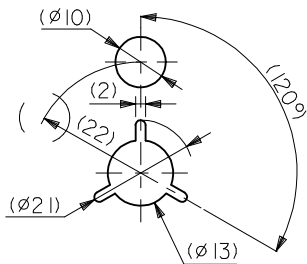
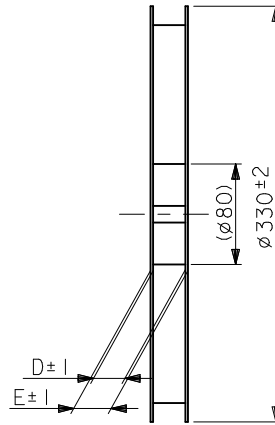
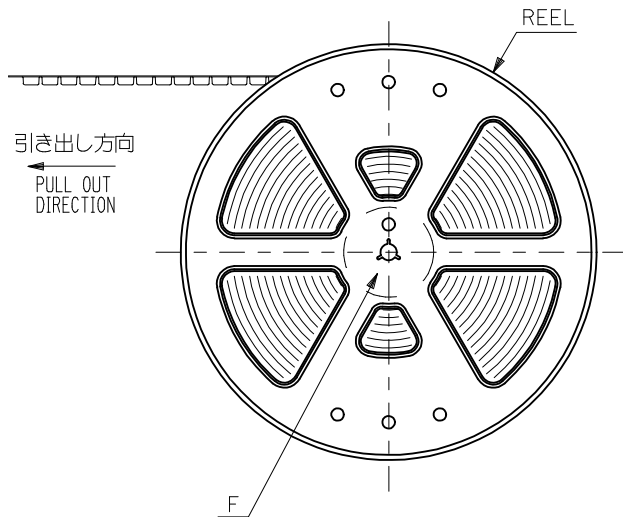
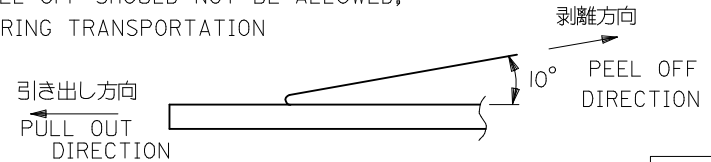


4. トップテープの剥離強度：(剥離方向は下図参照)

0. 1N~1.3N{ 10gf~130gf } 尚、本規格値は、出荷時に適用。
 (但し、輸送時に剥離が発生しない事。)

PEELING OFF FORCE OF TOP TAPE

0. 1N~1.3N{ 10gf~130gf } (PEELING DIRECTION AS SHOWN IN FOLLOWING FIG.)
 THIS REQUIREMENT SHOULD BE APPLIED AT SHIPMENT
 PEEL OFF SHOULD NOT BE ALLOWED,
 DURING TRANSPORTATION



DETAIL F

5. 材料 キャリアテープ：ポリプロピレン (PP)
 トップテープ：PET, PE, PEF
 リール：ポリスチレン (PS) <リサイクル材を含む>

MATERIAL CARRIER TAPE:POLYPROPYLENE
 TOP TAPE:PET,PE,PEF
 REEL:POLYSTYRENE(PS)
 <RECYCLE MATERIAL CONTAINED>

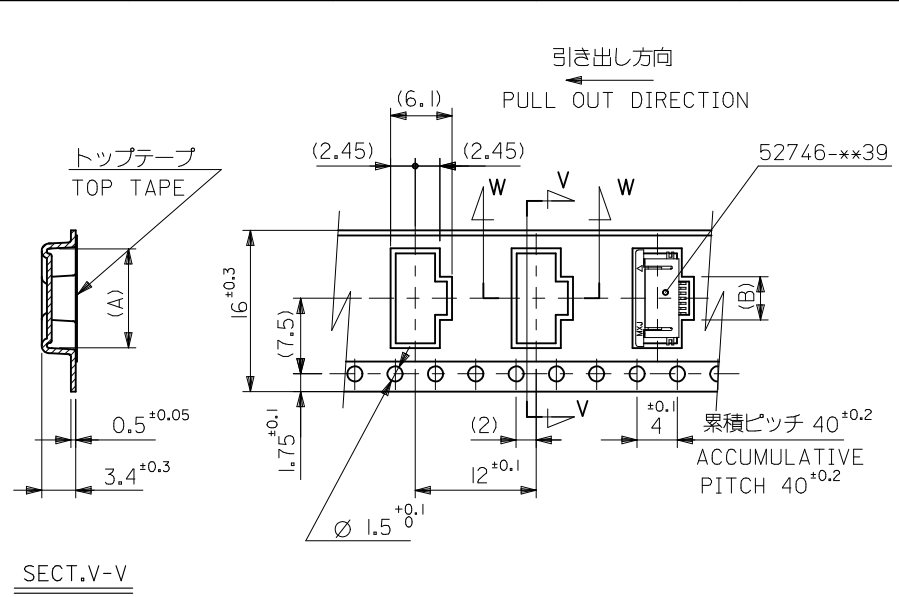
6. 本製品は 52746-***81 の鉛フリー品です
 THIS PRODUCT IS LEAD FREE OF 52746-***81

7. 本製品は乾燥剤入り、ハイバリア梱包仕様である。
 THIS PRODUCT IS HIGH BARRIER PACKAGE WITH DESICCANT.

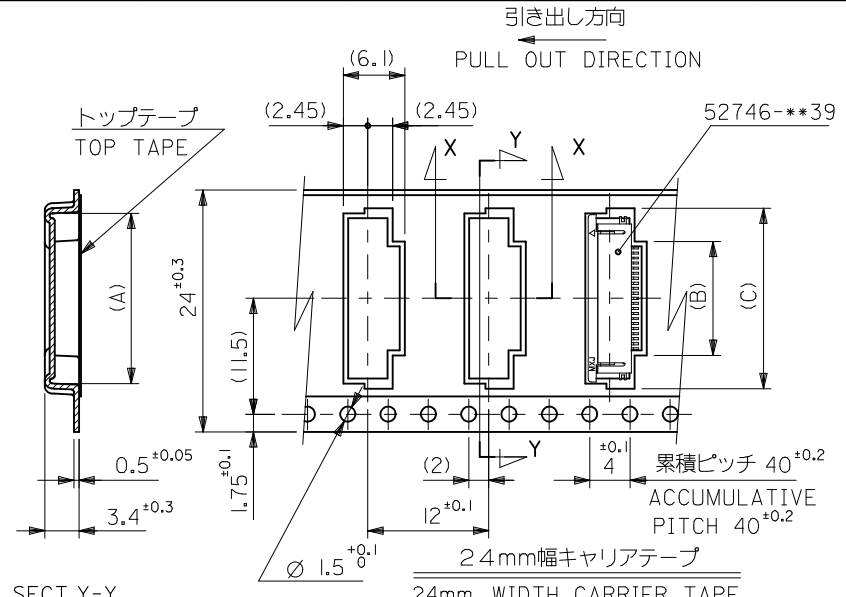
MODEL No.52746-***71

| | | | | | | |
|---|--|---|------------------------------|---------------------|--|------------------------|
| REVISED EC NO: J2015-0443 DRWN:AYOSHI I 01 2014/09/30 CHKD:YKOBAYASHI 02 2014/09/30 APPR:YNOGAWA 2014/10/14 | GENERAL TOLERANCES (UNLESS SPECIFIED) | | DIMENSION STYLE MM ONLY | SCALE --- | DESIGN UNITS METRIC | THIRD ANGLE PROJECTION |
| | 10 UNDER | ±0.2 | DRAWN BY HSHIMABUKURO | DATE '04/01/30 | TITLE 0.5 FPC CONN ZIF SMT RA B/CONT EMBSTP PKG -LEAD FREE- | |
| | 10 OVER 30 UNDER | ±0.25 | CHECKED BY KTOJO | DATE '04/01/30 | | |
| | 30 OVER | ±0.3 | APPROVED BY MSASAO | DATE '04/01/30 | | |
| ANGULAR ±3 ° | DRAFT WHERE APPLICABLE MUST REMAIN WITHIN DIMENSIONS | MATERIAL NO. SEE SHEET 2,3 | DOCUMENT NO. SD-52746-024 | SHEET NO. 1 OF 3 | | |
| J | REV | SIZE A3 THIS DRAWING CONTAINS INFORMATION THAT IS PROPRIETARY TO MOLEX INCORPORATED AND SHOULD NOT BE USED WITHOUT WRITTEN PERMISSION | | | | |

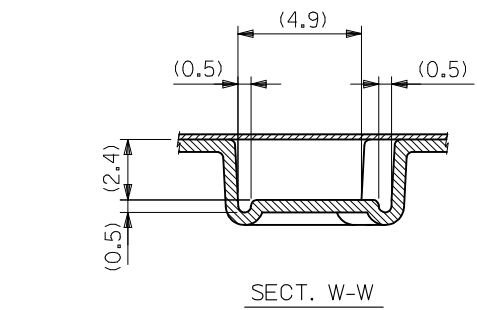
10 9 8 7 6 5 4 3 2 1



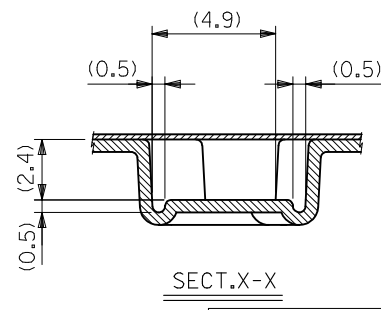
SECT.V-V
16mm幅キャリアテープ
16mm WIDTH CARRIER TAPE



SECT.Y-Y
24mm幅キャリアテープ
24mm WIDTH CARRIER TAPE



SECT. W-W

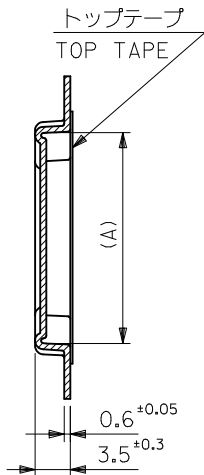


SECT. X-X

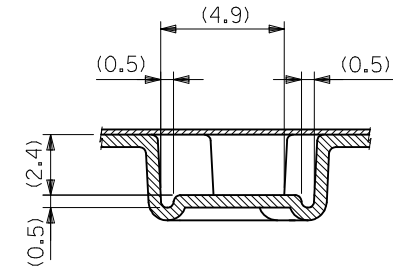
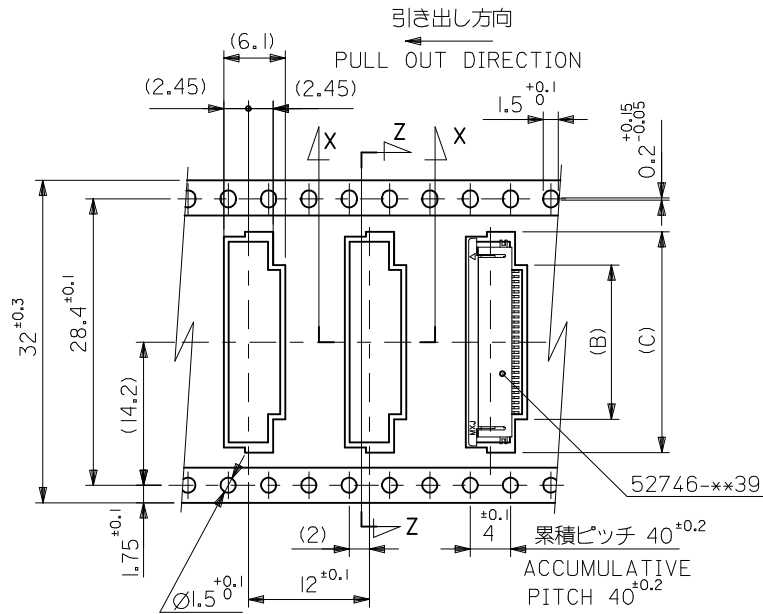
| | | | | | | | |
|--------------------------------|------|------|------------|------|------|--------------|----------------|
| 24 | 29.4 | 25.4 | 17.4 | 10.8 | 16.4 | 52746-2071 | 20 |
| | | | 16.9 | 10.3 | 15.9 | 52746-1971 | 19 |
| | | | 16.4 | 9.8 | 15.4 | 52746-1871 | 18 |
| | | | 15.9 | 9.3 | 14.9 | 52746-1771 | 17 |
| | | | 15.4 | 8.8 | 14.4 | 52746-1671 | 16 |
| | | | 14.9 | 8.3 | 13.9 | 52746-1571 | 15 |
| | | | 14.4 | 7.8 | 13.4 | 52746-1471 | 14 |
| | | | 13.9 | 7.3 | 12.9 | 52746-1371 | 13 |
| | | | 13.4 | 6.8 | 12.4 | 52746-1271 | 12 |
| | | | 12.9 | 6.3 | 11.9 | 52746-1171 | 11 |
| | | | 12.4 | 5.8 | 11.4 | 52746-1071 | 10 |
| | | | 11.9 | 5.3 | 10.9 | 52746-0971 | 9 |
| | | | 11.4 | 4.8 | 10.4 | 52746-0871 | 8 |
| | | | 10.9 | 4.3 | 9.9 | 52746-0771 | 7 |
| | | | 10.4 | 3.8 | 9.4 | 52746-0671 | 6 |
| 9.4 | 2.8 | 8.4 | 52746-0471 | 4 | | | |
| 16 | 21.4 | 17.4 | | | | | |
| キャリアテープ幅 CARRIER TAPE WIDTH | E | D | (C) | (B) | (A) | MATERIAL NO. | 極数 CIRCUITS |

| | | | | | | | | | | | | |
|--|----------------------|--|--|-----------|---|--------------|--------------|--------|------------------------|--|---------------------------|--|
| REVISED EC NO: J2015-0443 DRWN: AYOSHI I 2014/09/30 CHKD: YKOBAYASHI 022014/09/30 APPR: YNOGAWA 2014/10/14 | MODEL No.52746-***71 | | GENERAL TOLERANCES (UNLESS SPECIFIED) | | DIMENSION STYLE MM ONLY | | SCALE --- | | DESIGN UNITS METRIC | | THIRD ANGLE PROJECTION | |
| | 10 UNDER | ±0.2 | DRAWN BY | DATE | TITLE | | | | | | | |
| | 10 OVER 30 UNDER | ±0.25 | HSHIMABUKURO | '04/01/30 | 0.5 FPC CONN ZIF SMT RA B/CONT EMBSTP PKG -LEAD FREE- molex | | | | | | | |
| | 30 OVER | ±0.3 | CHECKED BY | DATE | | | | | | | | |
| | ANGULAR ±3 ° | | APPROVED BY | DATE | MATERIAL NO. | | DOCUMENT NO. | | SHEET NO. | | | |
| DRAFT WHERE APPLICABLE MUST REMAIN WITHIN DIMENSIONS | | MSASAO | '04/01/30 | SEE TABLE | | SD-52746-024 | | 2 OF 3 | | | | |
| J | REV | THIS DRAWING CONTAINS INFORMATION THAT IS PROPRIETARY TO MOLEX INCORPORATED AND SHOULD NOT BE USED WITHOUT WRITTEN PERMISSION | | | | | | | | | | |

9 8 7 6 5 4 3 2



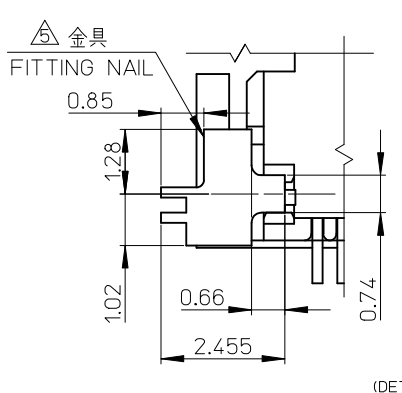
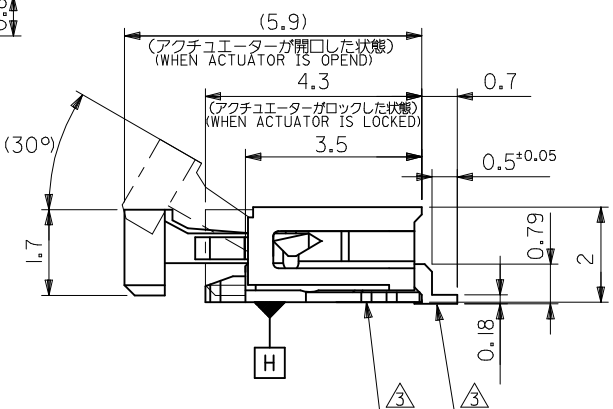
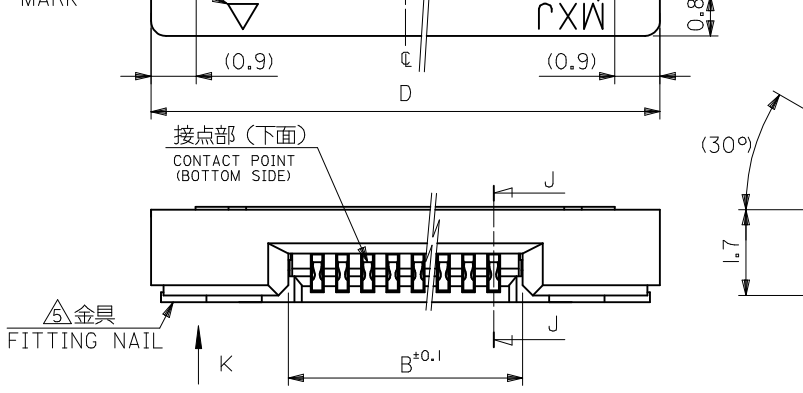
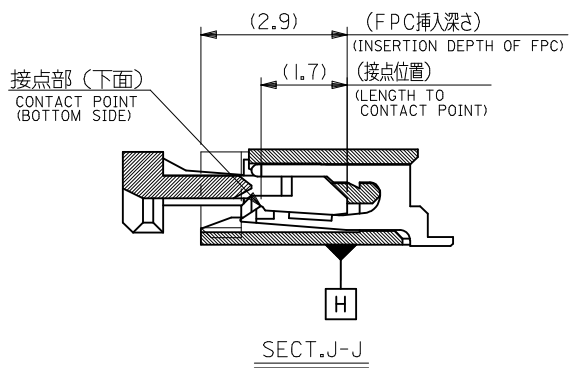
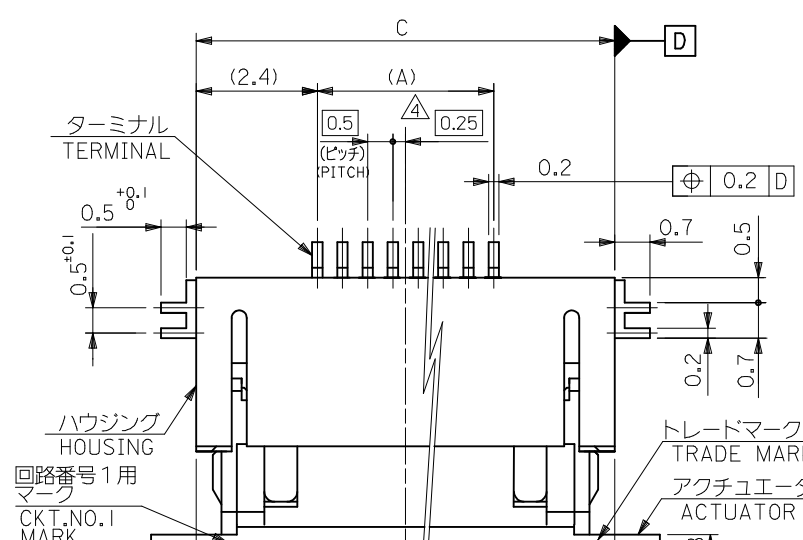
SECT.Z-Z



SECT.X-X

32mm幅キャリアテープ
32mm WIDTH CARRIER TAPE

| | | | | | | | |
|---|--|------------------------|----------------------------|--|------------------------|--|---------------------|
| REVISED EC NO: J2015-0443 DRWN:AYOSHI 2014/09/30 CHKD:YKOBAYASHI 2014/09/30 APPR:YNOGAWA 2014/10/14 | GENERAL TOLERANCES (UNLESS SPECIFIED) | | DIMENSION STYLE MM ONLY | SCALE --- | DESIGN UNITS METRIC | THIRD ANGLE PROJECTION | |
| | 10 UNDER ±0.2 | 10 OVER 30 UNDER ±0.25 | 30 OVER ±0.3 | DRAWN BY HSHIMABUKURO | DATE '04/01/30 | TITLE 0.5 FPC CONN ZIF SMT RA B/CONT EMBSTP PKG -LEAD FREE- | |
| | ANGULAR ±3 ° | | | CHECKED BY KTOJO | DATE '04/01/30 | APPROVED BY MSASAO | |
| | DRAFT WHERE APPLICABLE MUST REMAIN WITHIN DIMENSIONS | | | MATERIAL NO. SEE TABLE | DATE '04/01/30 | DOCUMENT NO. SD-52746-024 | SHEET NO. 3 OF 3 |
| J | | | SIZE A3 | THIS DRAWING CONTAINS INFORMATION THAT IS PROPRIETARY TO MOLEX INCORPORATED AND SHOULD NOT BE USED WITHOUT WRITTEN PERMISSION | | | |

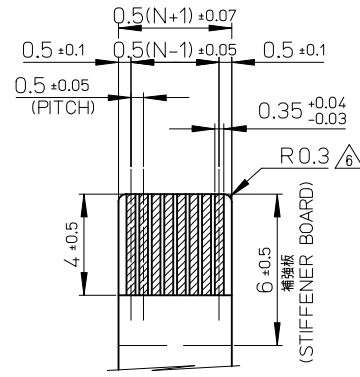


VIEW K
(金具部投影図)
(DETAIL OF FITTING NAIL)

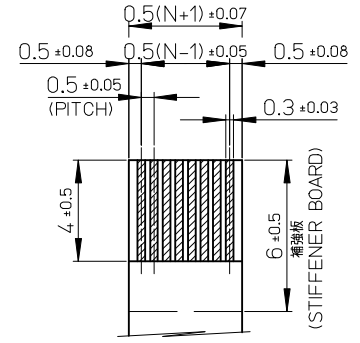
| | | | | | |
|------|------|-------|-----|--------------------------------------|------------|
| 16.1 | 14.3 | 10.65 | 9.5 | 52746-2071 | 20 |
| 15.6 | 13.8 | 10.15 | 9 | 52746-1971 | 19 |
| 15.1 | 13.3 | 9.65 | 8.5 | 52746-1871 | 18 |
| 14.6 | 12.8 | 9.15 | 8 | 52746-1771 | 17 |
| 14.1 | 12.3 | 8.65 | 7.5 | 52746-1671 | 16 |
| 13.6 | 11.8 | 8.15 | 7 | 52746-1571 | 15 |
| 13.1 | 11.3 | 7.65 | 6.5 | 52746-1471 | 14 |
| 12.6 | 10.8 | 7.15 | 6 | 52746-1371 | 13 |
| 12.1 | 10.3 | 6.65 | 5.5 | 52746-1271 | 12 |
| 11.6 | 9.8 | 6.15 | 5 | 52746-1171 | 11 |
| 11.1 | 9.3 | 5.65 | 4.5 | 52746-1071 | 10 |
| 10.6 | 8.8 | 5.15 | 4 | 52746-0971 | 9 |
| 10.1 | 8.3 | 4.65 | 3.5 | 52746-0871 | 8 |
| 9.6 | 7.8 | 4.15 | 3 | 52746-0771 | 7 |
| 9.1 | 7.3 | 3.65 | 2.5 | 52746-0671 | 6 |
| 8.1 | 6.3 | 2.65 | 1.5 | 52746-0471 | 4 |
| D | C | B | (A) | EMBOSSED PACKAGE ORDER No. オーダー番号 | 極数 CKT. |

CONNECTOR SERIES NO. : 52746-**39

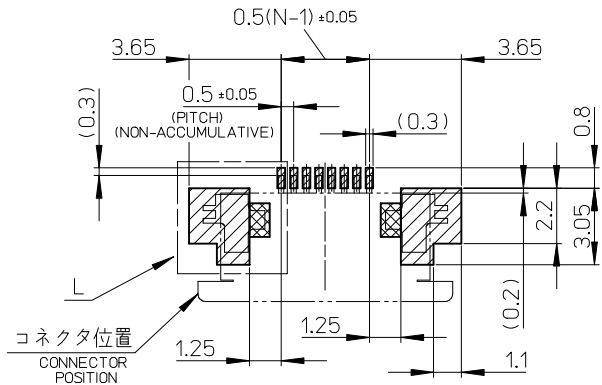
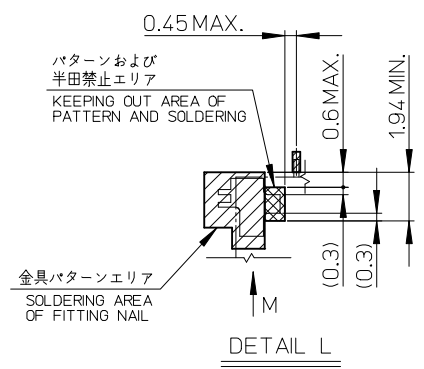
| | | | | | | | | | | |
|---|--|---------------------------------|----------------------------|--------------|---|--------------|------------------------|--|---------------------------|--|
| REVISED EC NO: J2015-0443 DRWN: AYOSHI I 2014/09/30 CHKD: YKOBAYASHI 02/2014/09/30 APPR: YNOGAWA 2014/10/14 | GENERAL TOLERANCES (UNLESS SPECIFIED) | | DIMENSION STYLE MM ONLY | | SCALE 10:1 | | DESIGN UNITS METRIC | | THIRD ANGLE PROJECTION | |
| | 10 UNDER | ±0.2 | DRAWN BY | DATE | TITLE | | | | | |
| | 10 OVER 30 UNDER | ±0.25 | HSHIMABUKURO | '04/01/30 | 0.5 FPC CONN. ZIF FOR SMT R/A (BOTTOM CONTACT) GOLD PLATING molex | | | | | |
| | 30 OVER | ±0.3 | KTOJO | '04/01/30 | | | | | | |
| ANGULAR ±3 ° | | APPROVED BY MSASAO '04/01/30 | | MATERIAL NO. | | DOCUMENT NO. | | SHEET NO. | | |
| DRAFT WHERE APPLICABLE MUST REMAIN WITHIN DIMENSIONS | | SEE TABLE | | SD-52746-025 | | 1 OF 2 | | THIS DRAWING CONTAINS INFORMATION THAT IS PROPRIETARY TO MOLEX INCORPORATED AND SHOULD NOT BE USED WITHOUT WRITTEN PERMISSION | | |



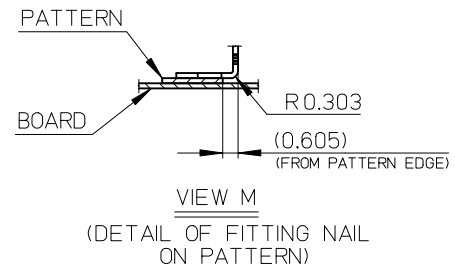
適合金めっきFPC推奨寸法
 APPLICABLE FPC OF GOLD
 PLATING RECOMMENDED DIMENSION
 仕上がり厚さ: 0.3±0.03
 THICKNESS: 0.3±0.03/-0.03



適合金めっきFFC推奨寸法
 APPLICABLE FFC OF GOLD
 PLATING RECOMMENDED DIMENSION
 仕上がり厚さ: 0.3±0.03
 THICKNESS: 0.3±0.03/-0.03



参考基板レイアウト
 (マウント面)
 RECOMMENDED P.C.BOARD
 PATTERN DIMENSION(REF.)
 (MOUNTING SIDE)



VIEW M
 (DETAIL OF FITTING NAIL
 ON PATTERN)

注記NOTES

- 1.使用材料
 MATERIAL
 ハウジング: 46ナイロン、ガラス充填、UL94V-0、白
 HOUSING: PA46, GLASS FILLED, UL94V-0, WHITE
 アクチュエータ: ポリフェニレンサルファイド (PPS)、ガラス充填、UL94V-0、茶色
 ACTUATOR: POLYPHENYLENE SULFIDE, GLASS FILLED, UL94V-0, BROWN
 ターミナル: リン青銅、ニッケル下地金めっき (t=0.2)
 TERMINAL: PHOSPHOR BRONZE, GOLD OVER NICKEL PLATING
 金具: リン青銅、ニッケル下地金めっき (t=0.2)
 FITTING NAIL: PHOSPHOR BRONZE, TIN OVER NICKEL PLATING
- 2.エンボスステップ梱包時は、アクチュエータがロックした状態になります。
 IN THE PACKAGE, ACTUATOR OF PART NO.52746-xx39 SHOULD BE LOCKED.
- 3.ソルダータール半田付け面のズレ量、及び金具半田付け面のズレ量は、基準面Hに対して上方向に0.1MAXIMUM、下方向0.15MAXIMUMとする。
 MISALIGNMENT OF SOLDER TAILS AND FITTING NAILS FROM DATUM-H.
 UPPER DIRECTION: 0.1MAXIMUM
 LOWER DIRECTION: 0.15 MAXIMUM
- 4.偶数極に適用
 APPLY FOR EVEN CIRCUIT.
- 5.ハターン剥離止め金具
 FITTING NAIL FOR PREVENTION OF PEELING OF P.W.B. PATTERN.
- 6.R0.3は、FPCの導体部にかからないこと
 R0.3 MUST NOT BE OVERLAPED TO PATTERN OF FPC.
- 7.ELV 及び RoHS 適合品
 ELV AND RoHS COMPLIANT

FPCについて:
 打ち抜き方向は導体側から補強板を推奨いたします。
 補強フィルム材質はポリイミドを推奨いたします。
 ABOUT FPC:
 RECOMMENDED PUNCHER DIRECTION: FROM CONDUCTOR SIDE TO STIFFNER BOARD SIDE.
 RECOMMENDED MATERIAL:
 STIFFNER FILM: POLYIMIDE
 BONDING AGENT: THERMOSETTING BONDING AGENT

| | | | | | | | |
|--|--|--|----------------------------|------------------------------|--|------------------------|---------------------------|
| REVISED EC NO: J2015-0443 DRWN: YOSHI 2014/09/30 CHKD: YKOBAYASHI 02/2014/09/30 APPR: YNOGAWA 2014/10/14 | GENERAL TOLERANCES (UNLESS SPECIFIED) | | DIMENSION STYLE MM ONLY | | SCALE 5:1 | DESIGN UNITS METRIC | THIRD ANGLE PROJECTION |
| | 10 UNDER | ±0.2 | DRAWN BY HSHIMABUKURO | DATE '04/01/30 | TITLE 0.5 FPC CONN. ZIF FOR SMT R/A (BOTTOM CONTACT) GOLD PLATING | | |
| | 10 OVER 30 UNDER | ±0.25 | CHECKED BY KTOJO | DATE '04/01/30 | | | |
| | 30 OVER | ±0.3 | APPROVED BY MSASAO | DATE '04/01/30 | | | |
| ANGULAR ±3 ° | | MATERIAL NO. SEE TABLE | | DOCUMENT NO. SD-52746-025 | | SHEET NO. 2 OF 2 | |
| DRAFT WHERE APPLICABLE MUST REMAIN WITHIN DIMENSIONS | | THIS DRAWING CONTAINS INFORMATION THAT IS PROPRIETARY TO MOLEX INCORPORATED AND SHOULD NOT BE USED WITHOUT WRITTEN PERMISSION | | | | | |