

**IT 40460-XX and IT 40460-XXS  
Connector Mounting Gaskets  
for Rear-Mounted Square Flange Receptacle**

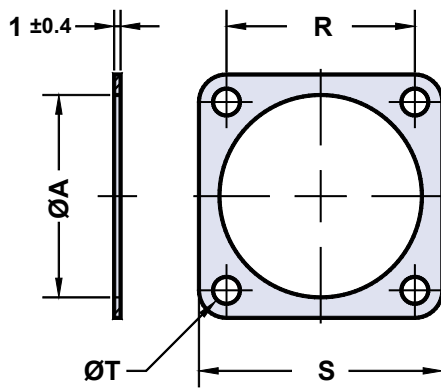


**IT 40460-18 S**

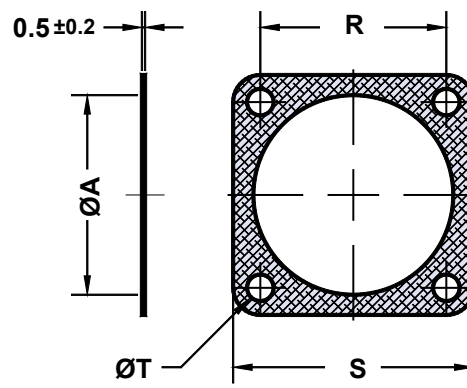
MIL-C-5015 Compatible  
Accessory

Basic Part Number  
and Shell Size Designator  
(Table I)

S = Conductive  
(Omit for Non-Conductive)



**IT 40460-XX  
Non-Conductive**



**IT 40460-XXS  
Conductive**

**TABLE I: PART NUMBER AND SHELL SIZE DESIGNATOR**

Part Number	Shell size	A +0.3	R -0.2	S -0.5	T +0.5
IT 40460 - 18	18	30.8	27.0	35.0	4.2
IT 40460 - 20	20	34.2	29.4	38.0	4.2
IT 40460 - 22	22	37.4	31.8	41.0	4.2
IT 40460 - 24	24	40.9	34.9	44.5	4.2
IT 40460 - 28	28	46.7	39.7	50.8	5.1
IT 40460 - 32	32	53.4	44.5	57.0	5.1
IT 40460 - 36	36	59.6	49.2	63.5	5.1
IT 40460 - 40	40	65.5	55.5	69.9	5.1

**Application Notes:**

1. Conductive and non-conductive gasket for rear-mount square flange connectors.
2. Other types of front and rear connector accessories are available.  
See our website and/or contact the factory for complete information.

