



ENGLISH

Datasheet

Stock No: 1241052

RS Pro 35 x 77mm ON/OFF Thermostat, J Thermocouple, Single output



At a glance

- 35x77mm size
- On-Off control
- Heating or cooling applications
- J thermocouple sensor input
- Single set-point
- Zero point shift

Overview

Compact 35mm x 77mm, cost-effective, digital thermostat device for general heating or cooling applications. Ideal for industrial applications with J thermocouple sensors.

Key Features

- Probe failure setting, output status can be set to ON, OFF or pulse
- 0000 or 000.0 units display
- Sensor input offset setting
- Relay out for temperature control
- CE marked



ENGLISH

Specifications

Inputs

	Input Type		Scale Range		Accuracy
NTC Resistance Sensor	EN 60751		-25.0...110.0 °C		± 1% (for full scale) ± 1 Digit
J (FeCuNi) Thermocouple	EN 60751		-30.0...400.0 °C		± 1% (for full scale) ± 1 Digit

Environmental Conditions

Ambient / Storage Temperature	0 ... +50°C/-25 ... +70°C (with no icing).
Relative Humidity	Max. humidity 80% for temperatures up to 31°C decreasing linearly to 50% relative humidity at 40°C.
Protection Class	According to EN60529; Front panel : IP65 Rear Panel : IP20
Height	Max. 2000m

Electrical Characteristics

Supply	230V AC +%10 -%20, 50/60Hz or 24V AC/DC %10
Power Consumption	Max. 3VA
Wiring	Power connector : 2.5mm ² screw-terminal, Signal connector : 1,5mm ² screw-terminal connection.
Line Resistance	Max. 100ohm
Data Retention	EEPROM (Min. 10 years)
EMC	EN 61326-1: 2013 (Performance criterion B is satisfied for EN 61000-4-3)
Indicator	4 digits, 12.5mm, 7 segment red LED
Safety Requirements	EN 61010-1: 2010 (Pollution degree 2, overvoltage category II)

Outputs

C1 Output	250V AC, 8A (for resistive load), NO and NC control output.
Life Expectancy for Relay	30.000.000 Switching for no-load operation; 300.000 switching for 8A resistive load at 250VAC.

Control

Control Type	Single-setpoint and alarm control.
Control Algorithm	On-Off control
A/D Converter	12 bit resolution, 100ms sampling time.
Hysteresis	Adjustable between 1 ... 20.0°C

Housing

Housing Type	Suitable for flush-panel mounting according to DIN 43 700.
Dimensions	H35xW77xD61mm
Weight	Approx. 215g (After packing)
Enclosure Material	Self extinguishing plastics.



ENGLISH

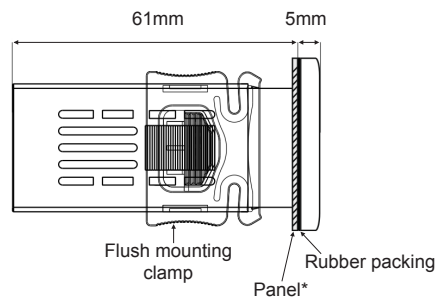
Dimensions

Front Fascia 35 x 77mm.

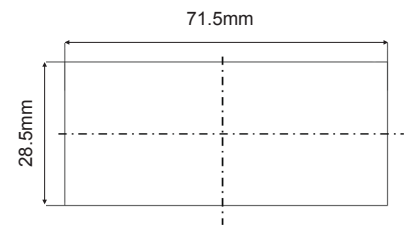
Front



Depth



Panel cut-out



*Panel thickness should be maximum 7mm.

Ordering

Stock Number	Supply Voltage	Number Outputs
1241051	230V ac	1
1241052	24V ac/dc	1