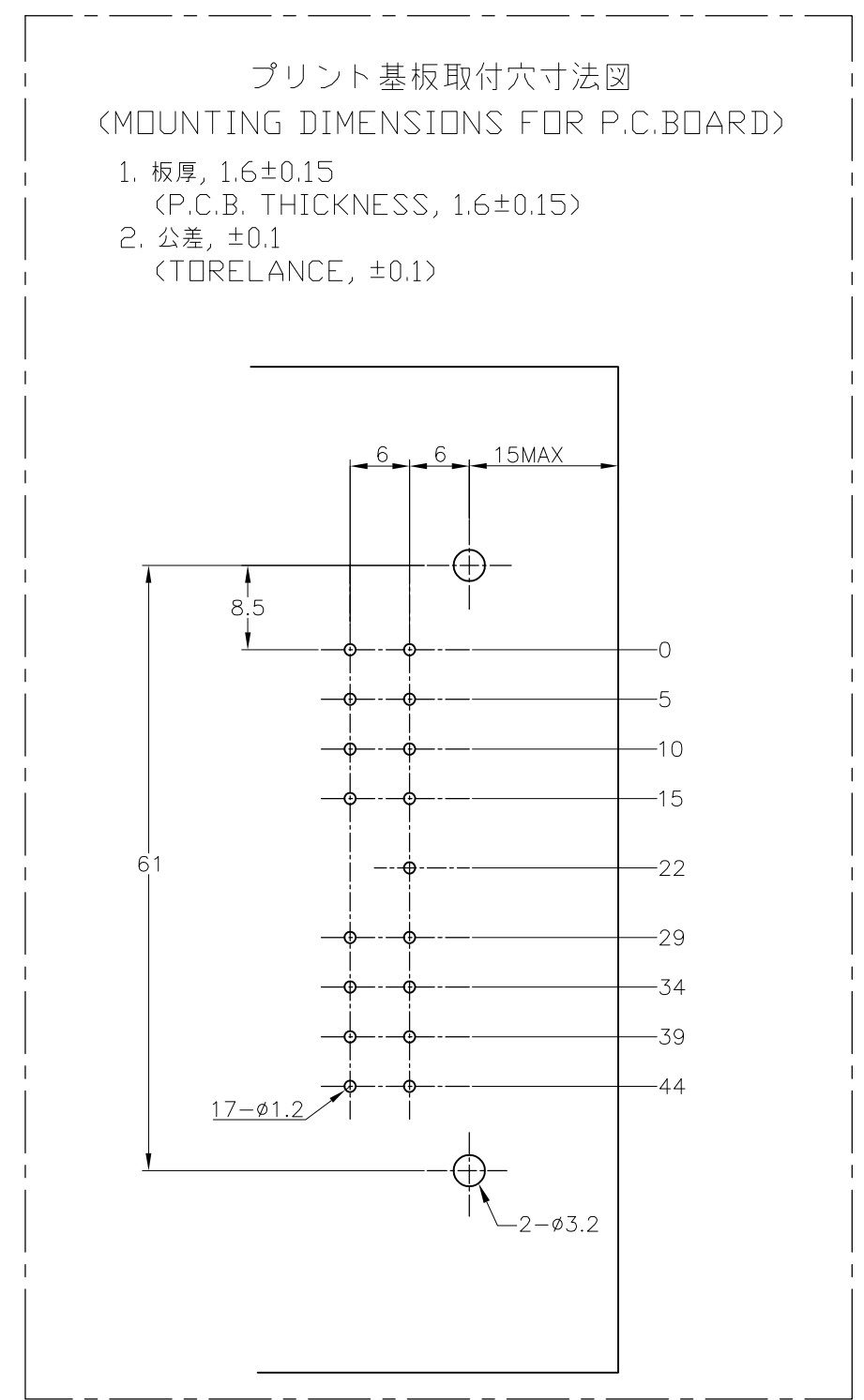
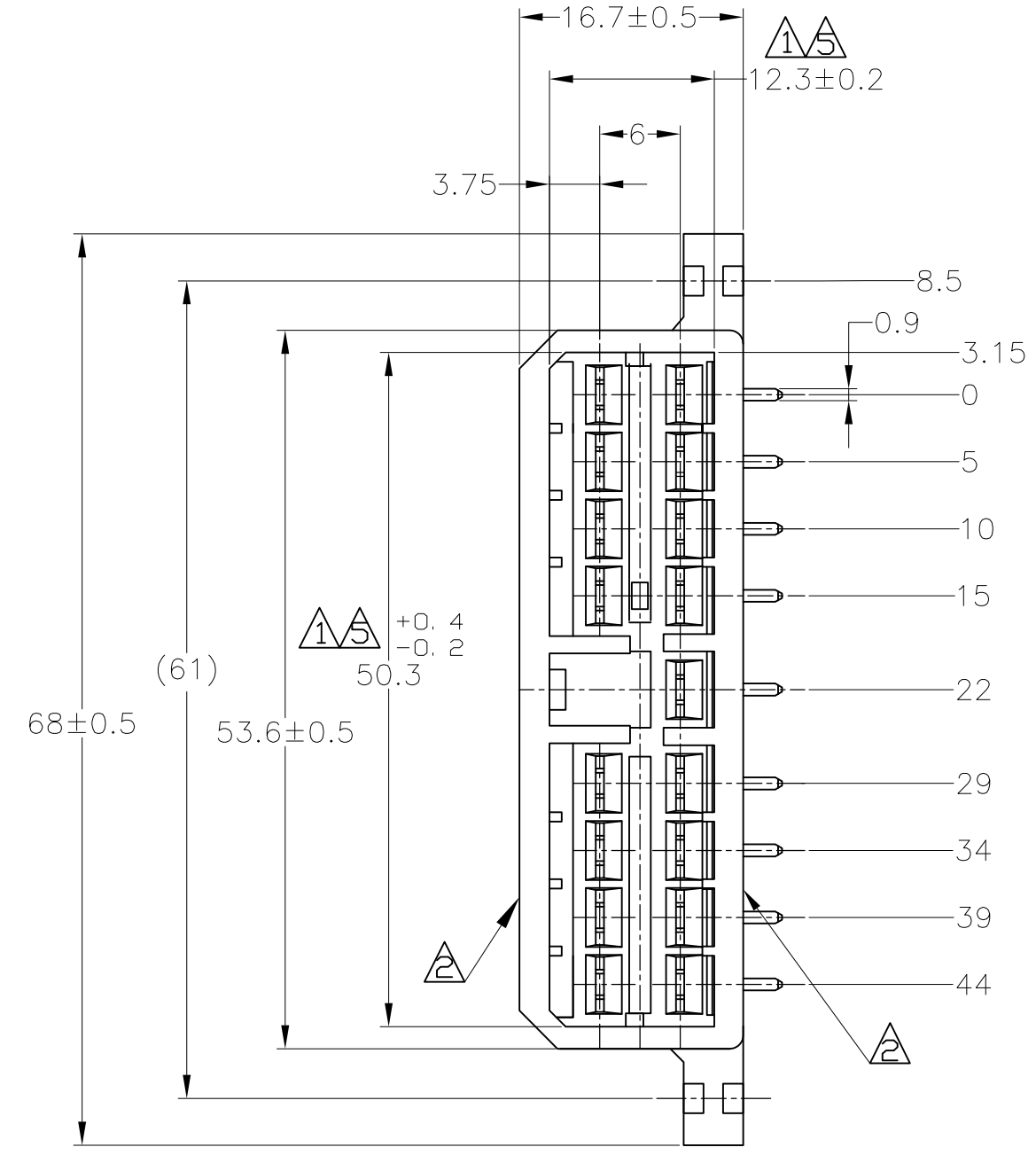
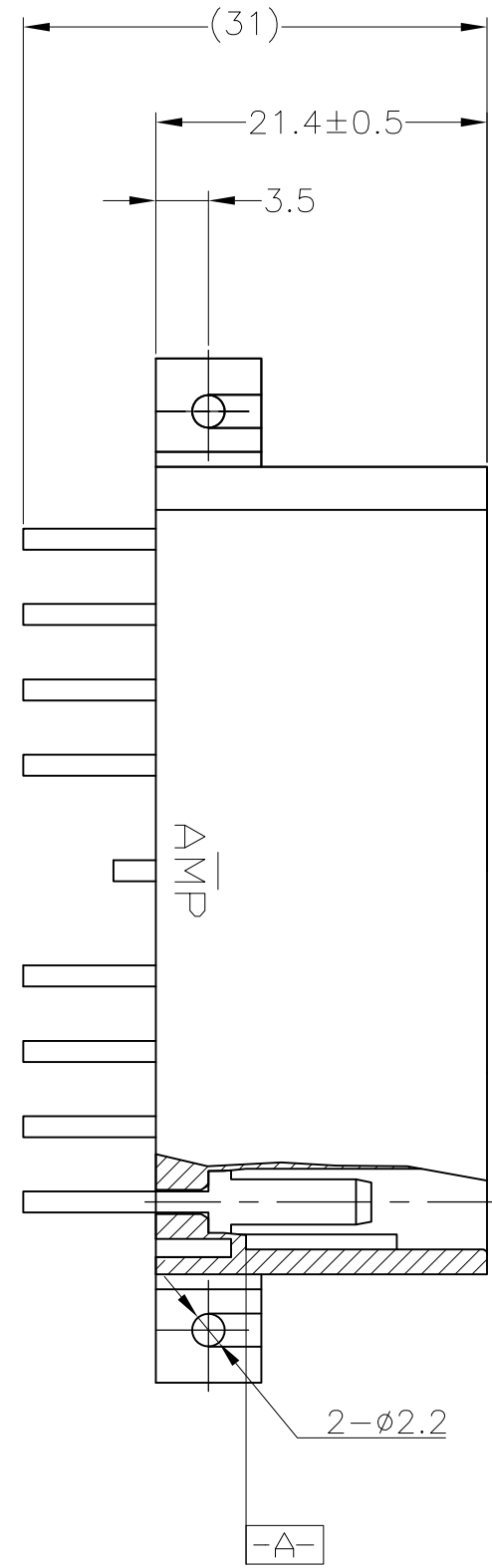
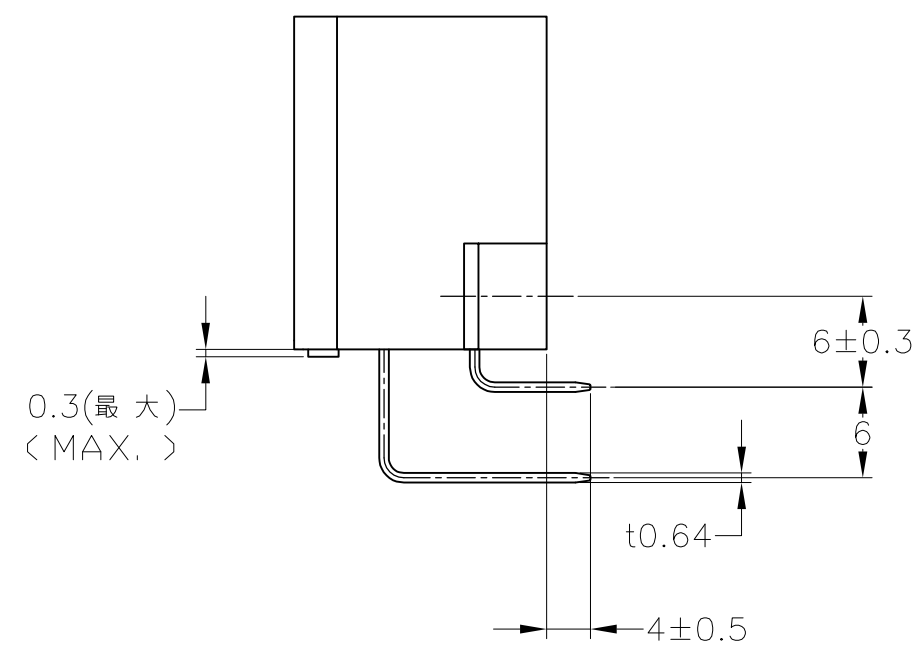


THIS DRAWING IS UNPUBLISHED. RELEASED FOR PUBLICATION  
 © COPYRIGHT - By - ALL RIGHTS RESERVED.

LOC	DIST	REVISIONS				DATE	DWN	APVD
J	-	P	LTR	DESCRIPTION	DATE	DWN	APVD	
		F5		REVISED PER ECO-11-005140	07APR11	RK	HMR	



- 注記:
- ① 相手ハウジングと所定の機能を満たしてかん合できること。
  - ② フードの反りは0.2以内。
  - ③ プリント基板への取付けは JIS B1115 M3 1種のタッピンネジで締め付けた後はんだ付けする。
  - ④ 適用製品規格: 108-5093
  - ⑤ [-A-] 面より2mmの範囲で測定のこと。
  - ⑥ 相手ハウジングとのかん合力は、29.4N以下  
 但し、リセプタクルコンタクトは含まない。



- NOTE:
- ① IN COUPLING WITH THE PLUG HOUSING MATING SATISFIES FUNCTION
  - ② WARPAGE 0.2 MAX.
  - ③ SOLDERING AFTER MOUNTING P. C. BOARD BY 3mmDIA TAPPING SCREW, SPECIFIED IN JIS B1115
  - ④ PRODUCT SPEC NO. 108-5093
  - ⑤ TO BE MEASURED WITHIN 2mm FROM [-A-]
  - ⑥ IN COUPLING WITH THE PLUG HOUSING MATING FORCE 29.4N MAX. WITHOUT RECEPTACLE CONTACT

TOLERANCE UNLESS OTHERWISE SPECIFIED: 一般公差

0 <= x <= 10	: ±0.2
10 <= x <= 30	: ±0.25
30 <= x <= 100	: ±0.3
ANGLE	: ±3°

	SELECTIVE-TIN (MATTE)	SELECTIVE GOLD (0.38μm MIN.)	NATURAL	2-5171366-1
	SELECTIVE-TIN (MATTE)	SELECTIVE GOLD (0.76μm MIN.)	NATURAL	1-5171366-1
OBSOLETE	TIN-LEAD	SELECTIVE GOLD (0.38μm MIN.)	YELLOW	2-171366-7
	TIN-LEAD	SELECTIVE GOLD (0.38μm MIN.)	GREEN	2-171366-4
	TIN-LEAD	SELECTIVE GOLD (0.38μm MIN.)	NATURAL	2-171366-1
OBSOLETE	TIN-LEAD	SELECTIVE GOLD (0.76μm MIN.)	GREEN	1-171366-4
	TIN-LEAD	SELECTIVE GOLD (0.76μm MIN.)	NATURAL	1-171366-1
	PRE-TIN	PRE-TIN BRASS	GRAY	171366-6
OBSOLETE		PRE-TIN	BLUE	171366-5
		PRE-TIN	GREEN	171366-4
		PRE-TIN	BROWN	171366-3
		PRE-TIN	BLACK	171366-2
		PRE-TIN	NATURAL	171366-1
	SOLDERING SIDE 半田付け部	CONTACT SIDE 接触部側	COLOR 色	PART NUMBER 製品型番
	CONTACT FINISH コンタクト仕上			

THIS DRAWING IS A CONTROLLED DOCUMENT.

DWN/DES: T.SHINOHARA 31AUG07  
 CHK/CH: K.BETSUI 31AUG07  
 APVD/APR: K.BETSUI 31AUG07

PRODUCT SPEC: SEE NOTE 4  
 APPLICATION SPEC: 取付適用規格

MATERIAL: HSG: 66 NYLON CONTACT: BRASS  
 FINISH: 仕上

TE Connectivity  
 17P HORIZONTAL TYPE CAP HOUSING MULTI-INTERLOCK CONN. WIRE TO PCB

SIZE: A2 CAGE CODE: 00779 DRAWING NO: 171366  
 WEIGHT: -

CUSTOMER DRAWING/DESENHO DE CLIENTE SCALE: 2:1 SHEET: 1 OF 1 REV: F5