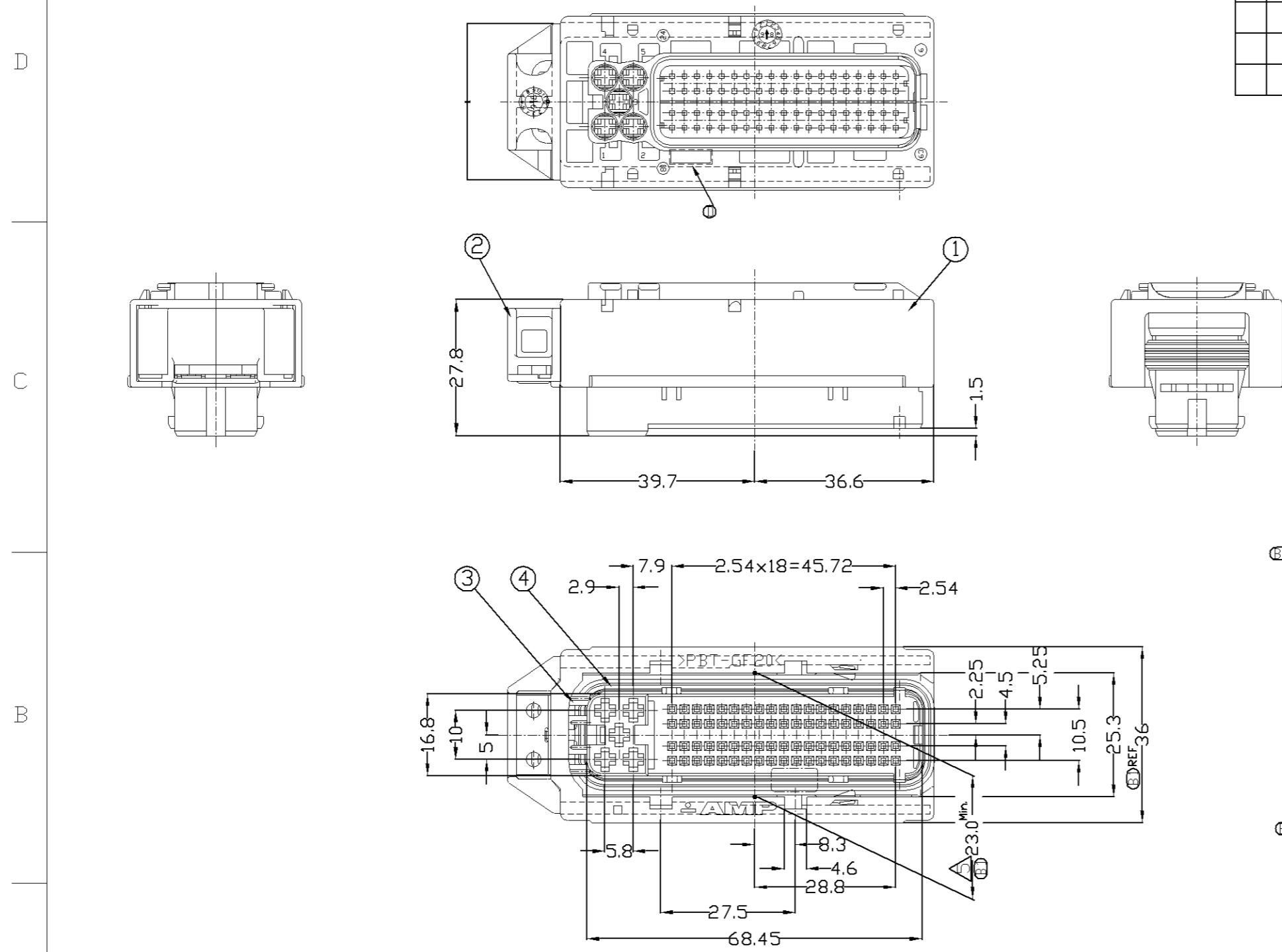


LOC	DIST	REVISIONS			
P	LTR	DESCRIPTION	DATE	DWN	APVD
	A	RELEASED ECN<FC00-0129-00>	17/OCT/'00	JW	CS
	B	RELEASED ECN<FC00-0019-02>	29/JAN/'02	JW	CS
	B1	REVISED ECN<ECR-05-001447>	06/APR/'05	YH	CS
	C	REVISED ECN<ECR-05-002795>	08/MAY/'05	YH	CS
	D	REVISED ECN<ECR-07-015887>	13/DEC/'07	DR	JK



NOTE

1. APPLICABLE REC CONTACT P/N;

PART NO.	DESCRIPTION	WIRE SIZE(mm <sup>2</sup> )
927768-3	JUNIOR POWER TIMER REC TML	1.0 - 2.5
927771-3	JUNIOR POWER TIMER REC TML	0.5 - 1.0
928999-1	MICRO QUADLOK SYSTEM REC TML <SOCKET CONTACT>	0.2 - 0.5
963715-1	MICRO QUADLOK SYSTEM REC TML <SOCKET CONTACT>	0.75

- 2. APPLICABLE COVER HSG P/N; 368291-1
- 3. APPLICABLE RETAINER HSG<MQS> P/N; 368297-1
- 4. APPLICABLE HEADER ASSY P/N; 368255-1
- WARPAGE IS PERMITTED.

NO	COLOR	MATERIAL	DESCRIPTION	Q'TY	
				CHINA ONLY	OTHER
4	ORANGE	SILICON	INNER SEAL FOR 81Pos.	1	1
3	YELLOW	PBT+GF15	RETAINER HOUSING FOR 5Pos.	1	1
2	BLACK	PA66+GF30	SLIDE LEVER HOUSING FOR 81Pos.	1	1
1	BLACK	PBT+GF20	JPT&MQS FOR 81P HSG	1	1

THIS DRAWING IS CONTROLLED DOCUMENT FOR AMP INCORPORATED. IT IS SUBJECT TO CHANGE AND THE CONTROLLING ENGINEERING ORGANIZATION SHOULD BE CONTACTED FOR THE LATEST REVISION.

DWN DR GOO  
 CHK YM CHOI  
 APVD JK SONG

TOLERANCES UNLESS OTHERWISE SPECIFIED:  
 0 <XX<10 ± 0.2  
 10<XX<30 ± 0.25  
 30<XX ± 0.3  
 ANGLES ± 3°

3rd ANGLE PROJECTION

MATERIAL SEE TABLE FINISH SEE TABLE

**Tyco Electronics** AMP KOREA. kyungsan, korea

NAME ASS'Y CONNECTOR FOR JPT&MQS 81Pos.

SIZE A3 CAGE CODE 00779 DRAWING NO 368290

WEIGHT --- CUSTOMER DRAWING SCALE 1/1 SHEET 1 OF 1 REV D