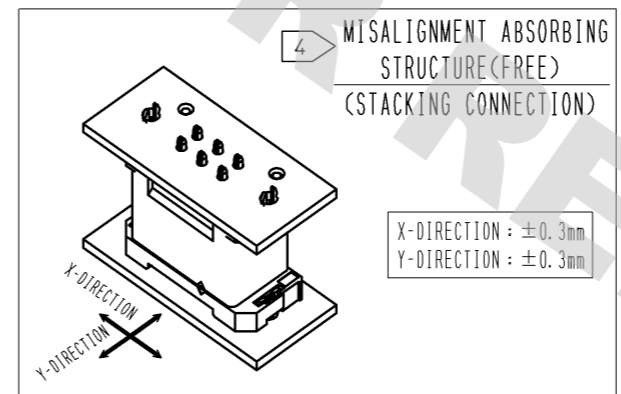
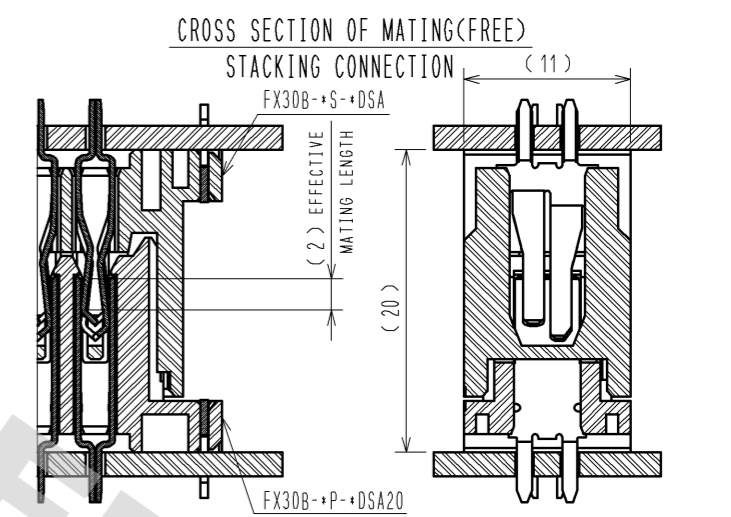
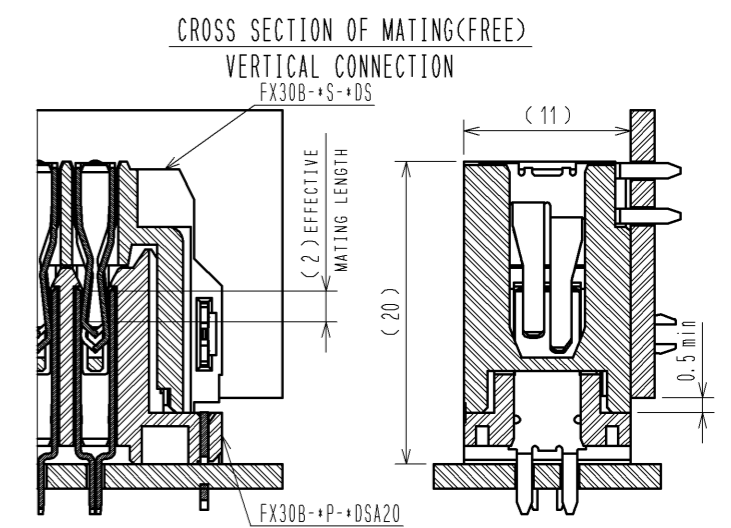
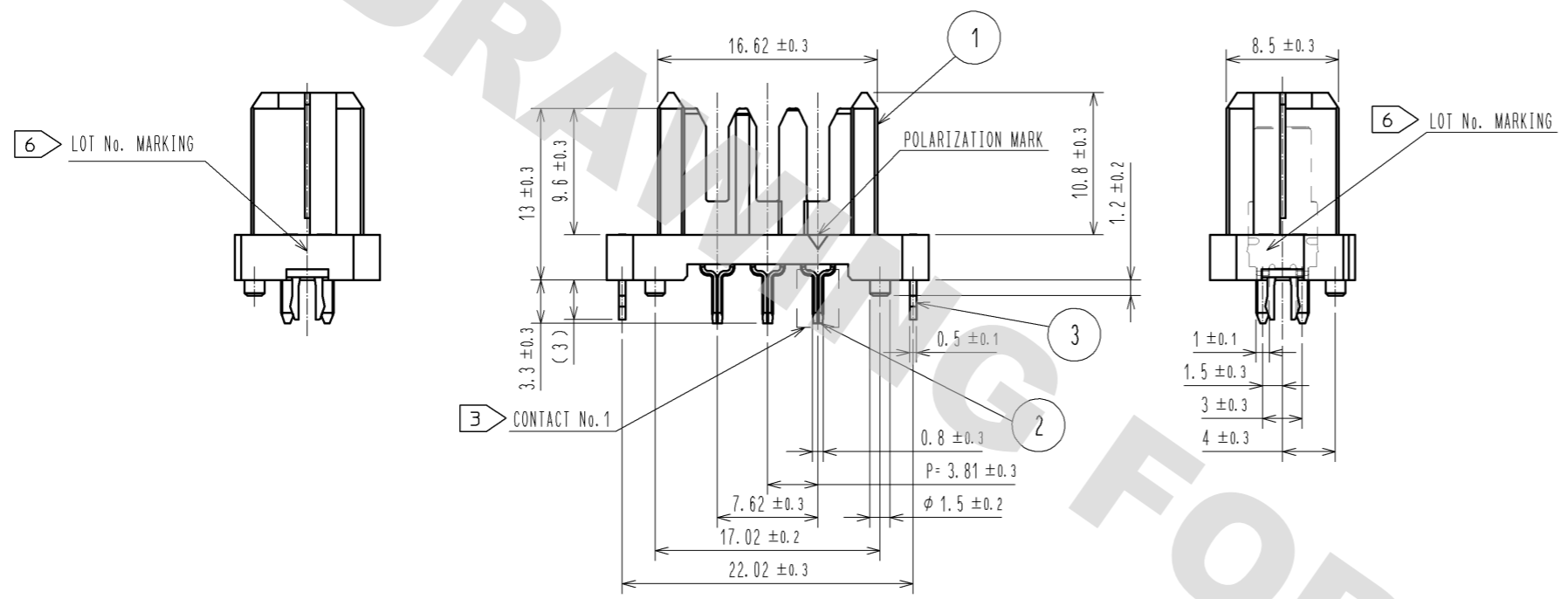
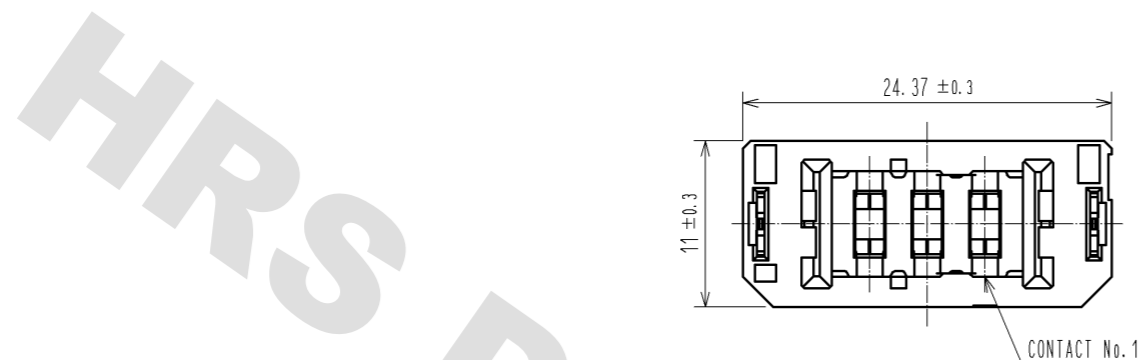


DRAWING FOR REFERENCE: This is subject to change without notice
12/05/2013

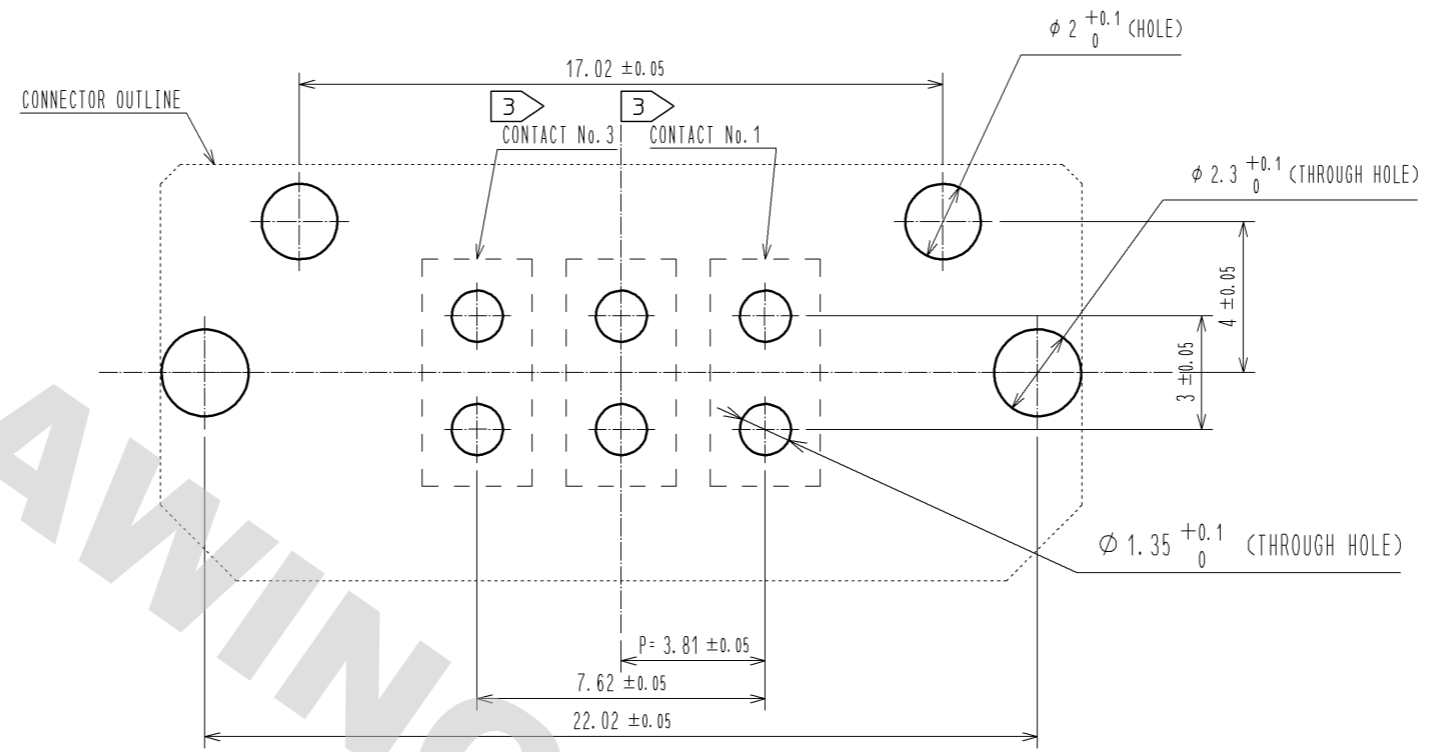


- NOTE
- 1 THIS PRODUCT IS PACKAGED IN TRAY. (42pcs/TRAY)
 - 2 BLEMISH AND HIT MARK CAN BE OCCURED THROUGH OUT THE MANUFACTURING PROCESS WHICH DOESN'T AFFECT QUALITY LEVEL. ALSO, BLACK SPOT COULD BE OBSERVED ON THE SURFACE OF HOUSING.
 - 3 FOR THE CONTACT NO., ADJACENT TWO PAIRS OF LEADS PLACED BACK-TO-BACK (4 LEADS IN TOTAL) COMPOSE ONE LINE.
 - 4 MISALIGNMENT ABSORBING RANGE: ± 0.3mm max.
 - 5 THE DIMENSION IN PARENTHESES ARE FOR REFERENCES.
 - 6 LOT NO. IS INDICATED AT EITHER ONE OF THE POSITION AS SHOWN.

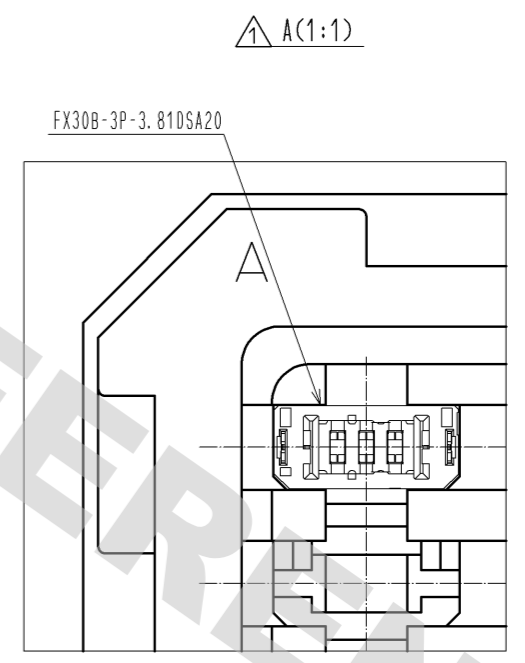
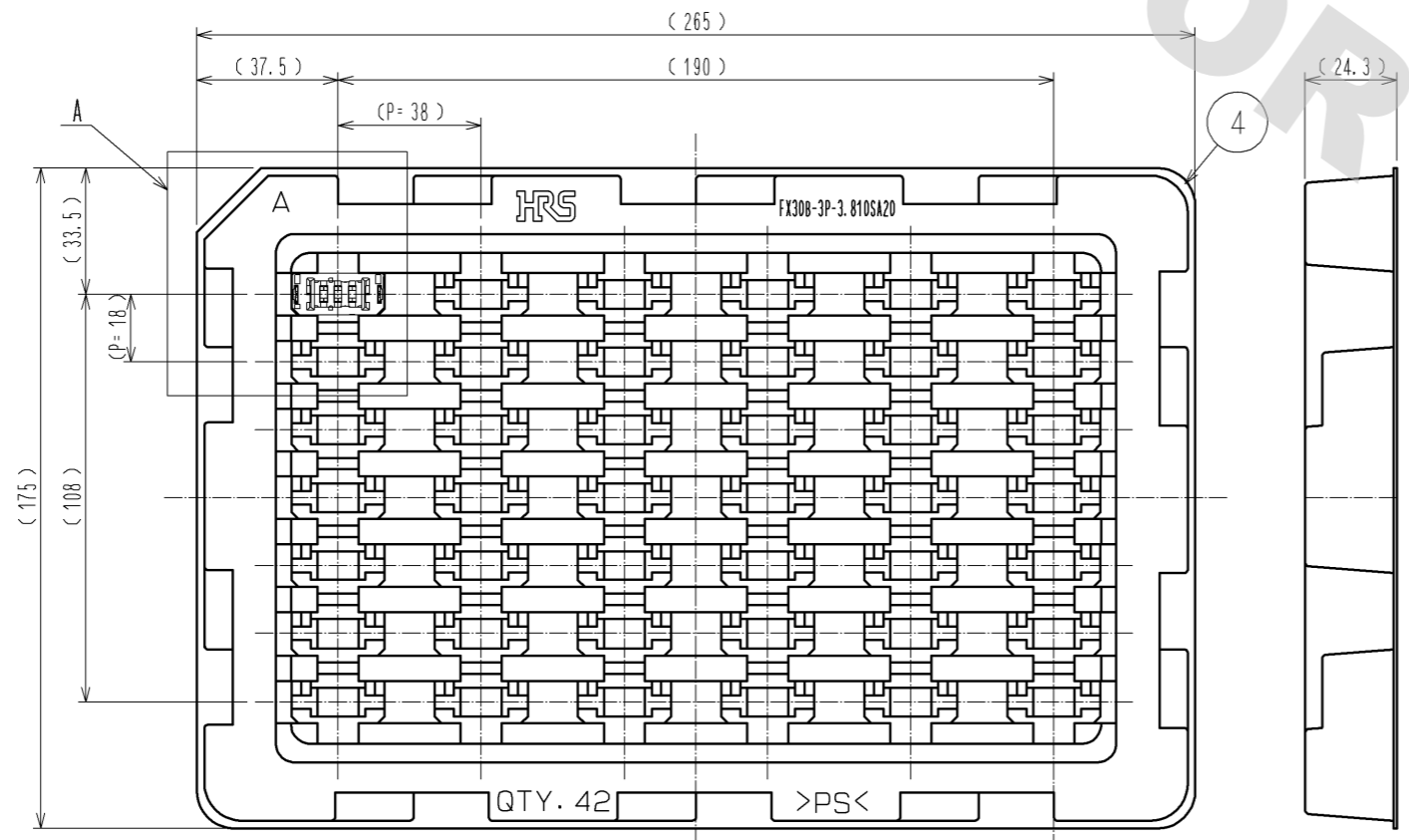
2	COPPER ALLOY	CONTACT AREA:GOLD-PLATING 0.1 μm	4	POLYSTYRENE	3	PHOSPHOR BRONZE	TIN-PLATING 3.0 μm	
		LEAD AREA:TIN-PLATING 1.0 μm		UNDER PLATING:NICKEL 1.0 μm		UNDER PLATING:NICKEL 1.0 μm		
1	POLYAMIDE	BLACK UL94V-0						
NO.	MATERIAL	FINISH . REMARKS	NO.	MATERIAL	FINISH . REMARKS			
UNITS mm		SCALE 2 : 1	COUNT 2	DESCRIPTION OF REVISIONS DIS-F-006956		DESIGNED DK. AIMOTO	CHECKED KI. HIROKAWA	DATE 13. 08. 26
HRS HIROSE ELECTRIC CO., LTD.		APPROVED : HS. OKAWA 13. 03. 13	DRAWING NO. EDC3-347256-00					
		CHECED : KI. HIROKAWA 13. 03. 12	PART NO. FX30B-3P-3. 81DSA20					
		DESIGNED : DK. AIMOTO 13. 03. 11	CODE NO. CL570-3101-6-00					
		DRAWN : DK. AIMOTO 13. 03. 11						

DRAWING FOR REFERENCE: This is subject to change without notice
12/05/2013

RECOMMENDED HOLE PATTERN DIMENSION OF PCB(5:1)
(CONNECTOR MOUNTING SIDE, PCB THICKNESS:t=1.6mm)



DRAWING FOR PACKAGING(1:2)



HRS	DRAWING NO.	EDC3-347256-00
	PART NO.	FX30B-3P-3.810SA20
	CODE NO.	CL570-3101-6-00
		1/2