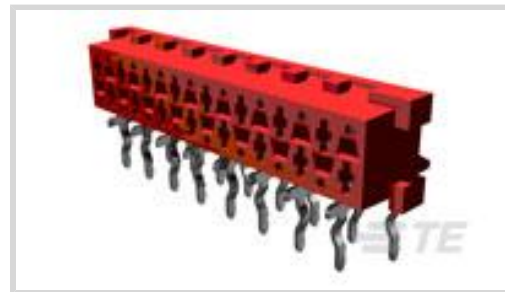




[Connectors](#) > [PCB Connectors](#) > [Wire-to-Board Connectors](#) > [FFC, FPC & Ribbon Connectors](#) > [Ribbon Cable Connectors](#) >

FEMALE-ON-BOARD CONNECTOR SIDE ENTRY



Connector System: **Board-to-Board**

Number of Positions: **14**

Centerline (Pitch): **1.27 mm [.05 in]**

PCB Mount Retention: **With**

PCB Mount Retention Type: **Kinked Solder Tails**

[All FEMALE-ON-BOARD CONNECTOR SIDE ENTRY \(45\)](#)

Features

Product Type Features

| | |
|-----------------------------------|-----------------------|
| Product Type | Connector |
| Board Standoff | With |
| Type of Connector | Female-on-Board |
| Connector Type | Connector Assembly |
| Header Type | Shrouded |
| Connector System | Board-to-Board |
| Row-to-Row Spacing | 1.5 mm |
| Connector Style | Receptacle |
| Profile | Standard |
| Connector & Contact Terminates To | Printed Circuit Board |

Configuration Features

| | |
|-----------------------|-------------|
| Ejection Latches | Without |
| Number of Positions | 14 |
| PCB Mount Orientation | Right Angle |

Electrical Characteristics

| | |
|-----------------------|---------|
| Operating Voltage | 100 VAC |
| Insulation Resistance | 1000 MΩ |

Body Features

| | |
|-------------|---------|
| Daisy Chain | Without |
|-------------|---------|

Contact Features

| | |
|---|---|
| Contact Termination Area Plating Material | Tin |
| Contact Design | Dual Beam |
| Contact Transmits (Typical) | Signal (Data) |
| Vacuum Tape | Without |
| Contact Mating Area Plating Thickness | 3 – 5 μm [118.11 – 196.85 μin] |
| Contact Termination Area Plating Thickness | 3 – 5 μm [118.11 – 196.85 μin] |
| Contact Type | Socket |
| Contact Mating Area Plating Material | Tin |
| Contact Underplating Material | Nickel |
| PCB Contact Termination Area Plating Material | Tin |
| Contact Base Material | Phosphor Bronze |
| Contact Current Rating (Max) | 1.5 A |

Termination Features

| | |
|---|-----------------|
| Termination Post Length | 3.1 mm[.122 in] |
| Termination Method to Printed Circuit Board | Through Hole |

Mechanical Attachment

| | |
|------------------------------|---------------------|
| Locking Latch | Without |
| Polarization | Without |
| Mating Retention | Without |
| Mating Alignment | With |
| Contact Retention in Housing | Press-Fit |
| PCB Mount Alignment | Without |
| Panel Mount Feature | Without |
| PCB Mount Retention | With |
| PCB Mount Retention Type | Kinked Solder Tails |
| Mating Alignment Type | Polarization |
| Mating Connector Lock | Without |

Housing Features

| | |
|-----------------------|------|
| Mating Entry Location | Side |
|-----------------------|------|

| | |
|------------------|----------------|
| Housing Material | Polyester - GF |
|------------------|----------------|

| | |
|---------------|-----|
| Housing Color | Red |
|---------------|-----|

| | |
|--------------------|-----------------|
| Centerline (Pitch) | 1.27 mm[.05 in] |
|--------------------|-----------------|

Dimensions

| | |
|--------|------------------|
| Length | 19.8 mm[.779 in] |
|--------|------------------|

| | |
|--------|----------------|
| Height | 5.8 mm[.23 in] |
|--------|----------------|

Usage Conditions

| | |
|-----------------------------|--------------|
| Operating Temperature Range | -40 – 105 °C |
|-----------------------------|--------------|

Industry Standards

| | |
|------------------------|----------|
| UL Flammability Rating | UL 94V-0 |
|------------------------|----------|

Packaging Features

| | |
|--------------------|------|
| Packaging Quantity | 2500 |
|--------------------|------|

| | |
|------------------|------|
| Packaging Method | Reel |
|------------------|------|

Product Compliance

[For compliance documentation, visit the product page on TE.com>](#)

| | |
|------------------------------|-----------|
| EU RoHS Directive 2011/65/EU | Compliant |
|------------------------------|-----------|

| | |
|-----------------------------|-----------|
| EU ELV Directive 2000/53/EC | Compliant |
|-----------------------------|-----------|

| | |
|---|---|
| China RoHS 2 Directive MIIT Order No 32, 2016 | No Restricted Materials Above Threshold |
|---|---|

| | |
|--|--|
| EU REACH Regulation (EC) No. 1907/2006 | Current ECHA Candidate List: JAN 2019 (197) Candidate List Declared Against: JAN 2018 (181) |
|--|--|

| | |
|-----------------|--|
| Halogen Content | Not Low Halogen - contains Br or Cl > 900 ppm. |
|-----------------|--|

| | |
|---------------------------|------------------------------|
| Solder Process Capability | Wave solder capable to 265°C |
|---------------------------|------------------------------|

Product Compliance Disclaimer

This information is provided based on reasonable inquiry of our suppliers and represents our current actual knowledge based on the information they provided. This information is subject to change. The part numbers that TE has identified as EU RoHS compliant have a maximum concentration of 0.1% by weight in homogenous materials for lead, hexavalent chromium, mercury, PBB, PBDE, DBP, BBP, DEHP, DIBP, and 0.01% for cadmium, or qualify for an exemption to these limits as defined in the Annexes of Directive 2011/65/EU (RoHS2). Finished electrical and electronic equipment products will be CE marked as required by Directive 2011/65/EU. Components may not be CE marked. Additionally, the part numbers that TE has identified as EU ELV compliant have a maximum concentration of 0.1% by weight in homogenous materials for lead, hexavalent chromium, and mercury, and 0.01% for cadmium, or qualify for an exemption to these limits as defined in the Annexes of Directive 2000/53/EC (ELV). Regarding the REACH Regulations, TE's information on SVHC in articles for this part number is still based on the European Chemical Agency (ECHA) 'Guidance on requirements for substances in articles' (Version: 2, April 2011), applying the 0.1% weight on weight concentration threshold at the finished product level. TE is aware of the European Court of Justice ruling of September 10th, 2015 also known as O5A (Once An Article Always An Article) stating that, in case of 'complex object', the threshold for a SVHC must be applied to both the

product as a whole and simultaneously to each of the articles forming part of its composition. TE has evaluated this ruling based on the new ECHA "Guidance on requirements for substances in articles" (June 2017, version 4.0) and will be updating its statements accordingly.

Compatible Parts



TE Part # 8-215464-4
14P.MICRO-MATCH MOB



TE Part # 1-215464-4
14P.MICRO-MATCH MOB



TE Part # 1-338728-4
MICROM. MOB SMD CON



TE Part # 8-215083-4
MICRO-MATCH MOW.14P



TE Part # 1-338095-4
MICRO-MATCH COSI HSG



TE Part # 1-215083-4
MICRO-MATCH MOW.14P



TE Part # 8-338728-4
MICROM. MOB SMD CON


Also in the Series | Micro-MaTch Industrial



Pluggable I/O Cable Assemblies(54)



Ribbon Cable Connectors (203)



Wire-to-Board Connector Contacts(4)

Customers Also Bought



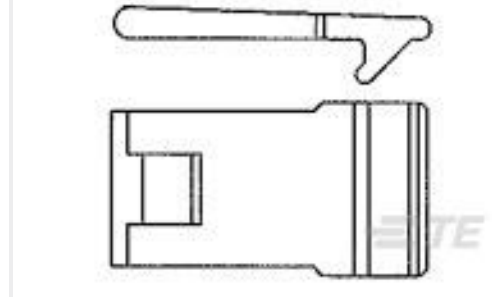
TE Part #8-6318491-6
.5FHP08H,220,S,GIG,08/Sn, HT,SEYes



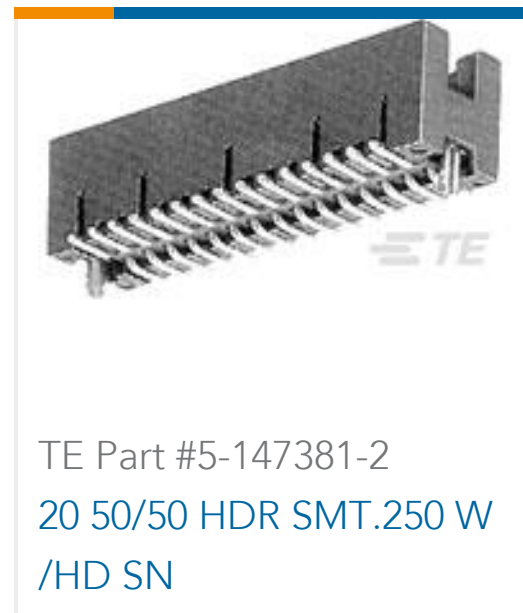
TE Part #1-292253-1
CT CONN MT HDR ASSY H 11P NAT



TE Part #106506-2
15P.HDP20 REC.ASSY.



TE Part #352706-1
ZP,LATCH 10MM LIFSH



Documents

Product Drawings

[MICRO-MATCH FEM.SE](#)

English

CAD Files

[3D PDF](#)

3D

Customer View Model

[ENG_CVM_CVM_1-215460-4_J.2d_dxf.zip](#)

English

Customer View Model

[ENG_CVM_CVM_1-215460-4_J.3d_igs.zip](#)

English

Customer View Model

[ENG_CVM_CVM_1-215460-4_J.3d_stp.zip](#)

English

Datasheets & Catalog Pages

[Micro-MaTch Catalog](#)

English

[Ribbon Cable Interconnect Solutions](#)

English

[Centerline Micro-Match Connector Series](#)

English

Product Specifications

[Product Specification](#)

English

Product Environmental Compliance

[TE Material Declaration](#)

English

Agency Approvals

[UL Report](#)

English

