



Brand of NTN Group

Technical data

UCF209-27

Bearing units

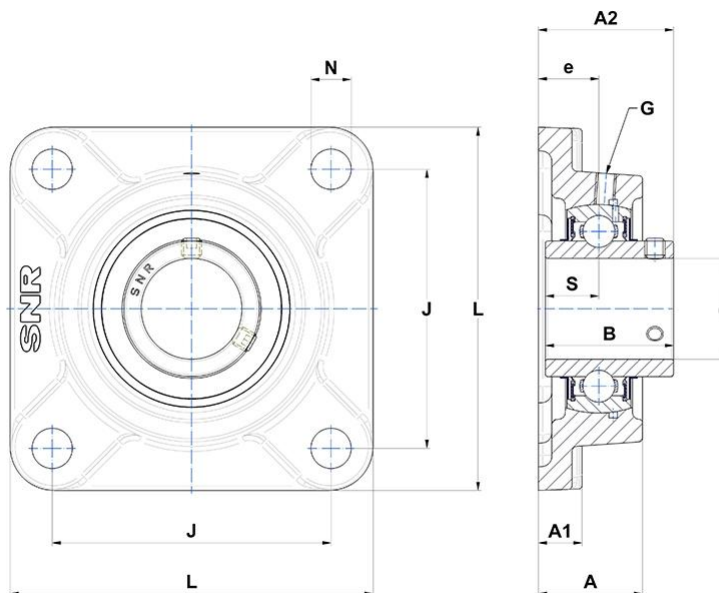


Grey cast housing, radial insert ball bearing with socket set screws, seal with slinger

KIT CONTENT

UC209-27G2, F209

VISUAL (S)



PRODUCT DEFINITION

Brand	SNR
A - Housing height	38 mm
A1 - Housing foot height / flange height	16 mm
A2 - Total height from mounting surface	52,2 mm
B - Width of Inner Ring	49,2 mm
d - Shaft diameter	42,863 mm



NTN Europe

1 rue des Usines · BP 2017 · 74010 Annecy Cedex · France · Tel. +33 (0)4 50 65 30 00
 S.A. au capital de 322 639 919 € · RCS ANNECY B 325 821 072 · Id. Fiscale : FR 48 325 821 072
 SIRET 325 821 072 00015 · Code APE 2815 Z · Code NACE 28.15

PRODUCT DEFINITION

e - Distance mounting surface to bearing center	22 mm
G - Grease fitting	M6x1
J - Mounting holes distance	105 mm
L - Housing width / diameter	137 mm
N - Mounting hole dimension	16 mm
S - Distance front side/bearing centre	19 mm

PRODUCT PERFORMANCE

C - Dynamic load rating	31850000 mN
C0 - Static load rating	20800000 mN
Operating temperature min.	253,15 °K
Operating temperature max.	373,15 °K

OTHER FEATURES

Mass	2,18 kg
Recommended tightening torque for set screw	8 N-m

