

TU 50 TF

Compliance with standard

ISO

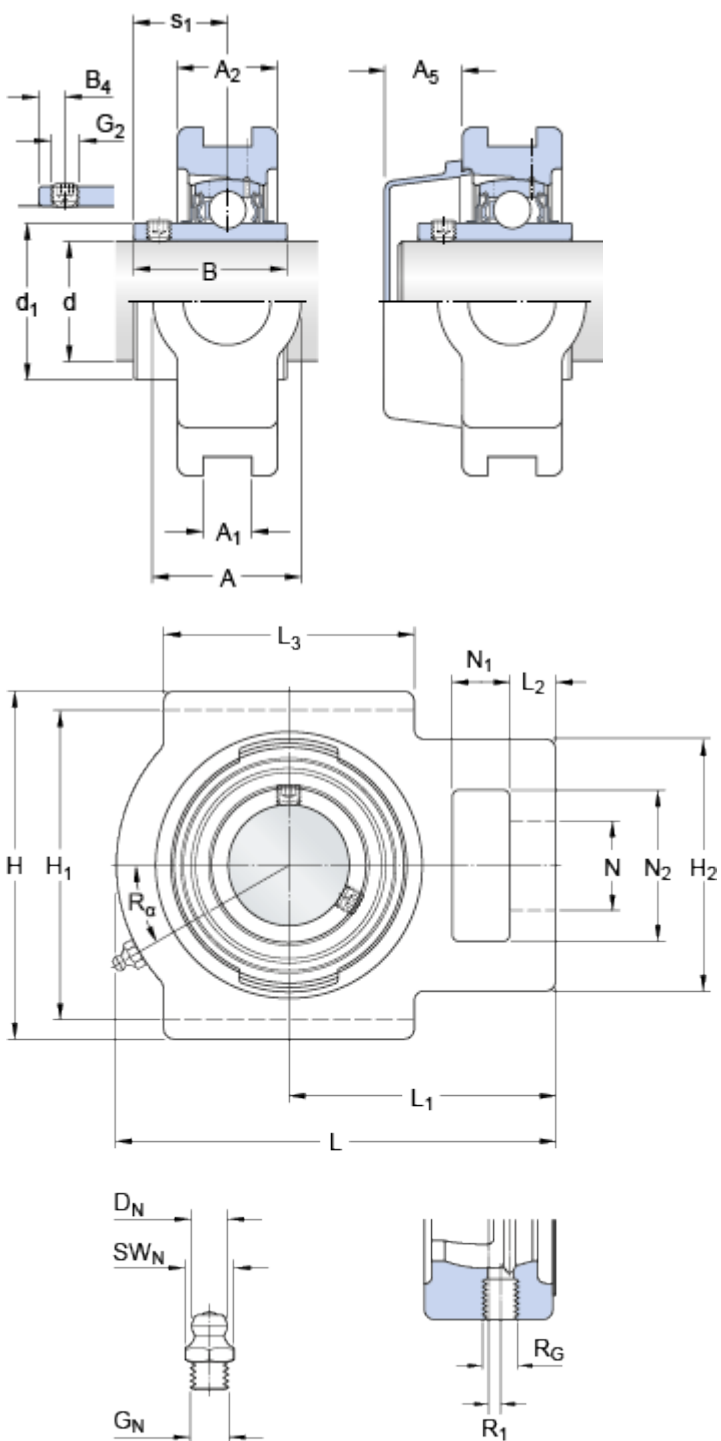
Housing material

Cast iron

Sealing solution

Standard seals with additional flingers

Dimensions



d	50	mm
d ₁	≈ 62.51	mm
A	49	mm
A ₁	17.5	mm
A ₂	36	mm
A ₅	30	mm
B	51.6	mm
B ₁	51.6	mm
B ₄	9	mm
H	117	mm
H ₁	101	mm
H ₂	83	mm
L	149	mm
L ₁	90	mm
L ₂	16	mm
L ₃	86	mm
N	29	mm
N ₁	19	mm
N ₂	49	mm
s ₁	32.6	mm

Threaded hole

R _G	1/4-28 UNF	
R ₁	4	mm
R _α	30	°

Grease fitting

D_N	6.5	mm
SW_N	7	mm
G_N	1/4-28 SAE-LT	

Calculation data

Basic dynamic load rating	C	35.1	kN
Basic static load rating	C_0	23.2	kN
Fatigue load limit	P_u	0.98	kN
Limiting speed with shaft tolerance h6		4000	r/min

Mass

Mass bearing unit		2.35	kg
-------------------	--	------	----

Mounting information

Grub (set) screw	G_2	M10x1	
Hexagonal key size for grub screw	N	5	mm
Recommended tightening torque for grub screw		16.5	N·m

Included products

Housing		TU 510 M
Bearing		YAR 210-2F

Associated products

End cover		ECY 210
-----------	--	---------
