



Product designation	SLIM RELAY		
Product type designation	HR20		
Contact characteristics			
Contact configuration	1 Static		
Rated insulation voltage U_i IEC/EN	V	2500 (input/output)	
IEC Conventional free air thermal current I_{th}	A	4	
Maximum instantaneous current	A	48 (10ms)	
Rated current (I_n)	A	4	
Relay control voltage	V	24VDC	
Max contrrollable power in		AC-1	W 1500
		AC-15	VA 360
Rated operating power AC-1			VA 4A output 3... 28VDC
Rated operating power AC-15	230 VAC	VA	4A output 3... 28VDC
Single-phase motor control	230VAC	kW	4A output 3... 28VDC
Rated operating current DC-1			4A output 3... 28VDC
	30V	A	4A output 3... 28VDC
	110V	A	4A output 3... 28VDC
	220V	A	4A output 3... 28VDC
Minimum switching load		V / mA	3 / 0.02
Operating times			
Closing		ms	0.3
Opening		ms	0.3
Operations			
Mechanical life		cycles	Theoretically infinite
Electrical life AC1		cycles	Theoretically infinite
Coil characteristics			
Operating range		Closing % U_n	80...120
Maximum cycle frequency		cycles/h	>100000
Mechanical features			
Max socket terminal tightening torque		Nm	0.5
Socket screw tightening tool (cross / flat blade)			PH0 / 3.5mm
Conductor section			

AWG/Kcmil

min	20
max	16

IEC

min	mm ²	0.5
max	mm ²	1.5

Operating position

normal	Any
--------	-----

Fixing

On 35mm DIN rail

Ambient conditions

Temperature

Operating temperature

min	°C	-30
max	°C	+80

Storage temperature

min	°C	-30
max	°C	+100

Other features

Indication

Yes (on the socket)

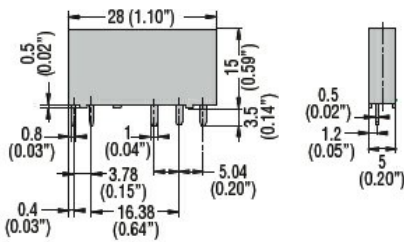
Mechanical contact position indicator

No

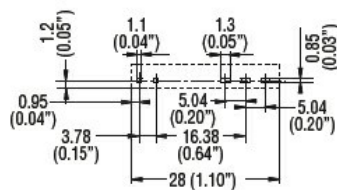
Mechanical test actuator

No

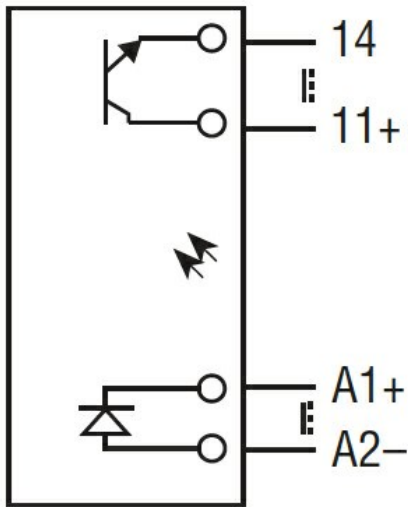
Dimensions



PCB layout



Wiring diagrams



Certifications and compliance

Compliance

IEC/EN 62314

Certificates

cURus

TÜV-SUD

ETIM classification

ETIM 8.0

EC002055 -
Solid state relay