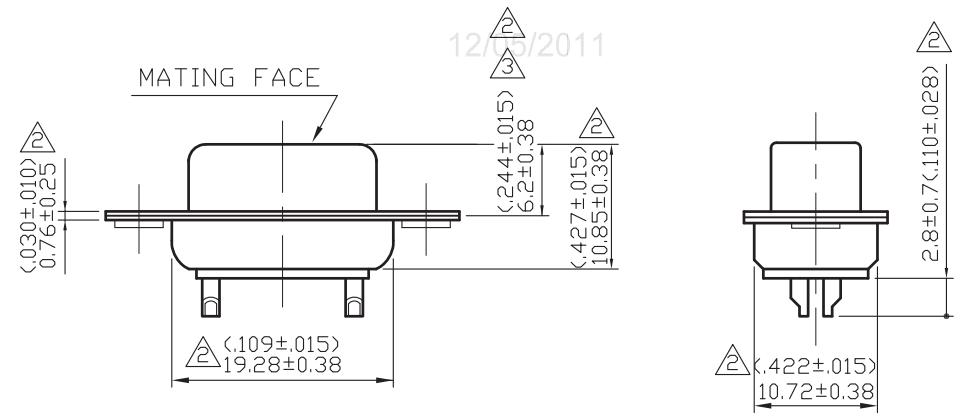
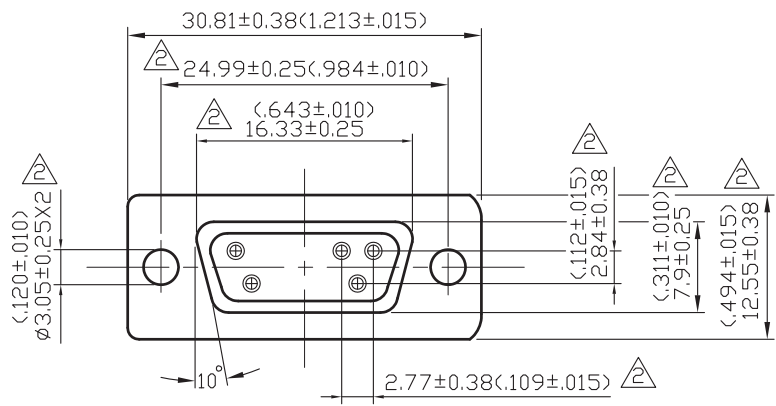


NO	DESCRIPTION	DATE
1	ADD MIS PART NO.	04.01.04
2	ADD DESCRIPTION ADD 6.2±0.38 24.99±0.13 → 24.99±0.25 16.33±0.13 → 16.33±0.25 ø3.05 → ø3.05±0.25 7.9 → 7.9±0.25 12.55 REF. → 12.55±0.38 2.77 → 2.77±0.38 19.28 REF. → 19.28±0.38 1 → 0.76±0.25 10.72 REF. → 10.72±0.38 11 REF. → 10.72±0.38 3.3 REF. → 2.8±0.7 2.84 → 2.84±0.38 MIS PART NO. → P/N	03.13.08
3	CORRECT DIMENSION LINE POSITION	12.02.11

CONTACT TYPE FORMED CONTACT
 COLOR OF INSULATION WHITE PBT GLASSFIBRE REINFORCED
 PLATING OF CONTACT GOLD <5 MICRO INCHES>
 SOLDER TERMINATIONS TIN
 WORKING VOLTAGE 500V AC AT SEA LEVEL
 CONTACT RESISTANCE 10m OHM MAX.
 MATING CYCLES 150 TIMES



P/N: 544-3749

APPROVED by _____ DATE: _____

DESCRIPTION		D-SUB WITH 9-PIN FEMALE CONNECTOR BY FORMING						
製圖	DRAWN	TOLERANCE	品名	□50-0009S-F	DATE	版次	REV.	
	Gina							.X
檢圖	CHECK	.XX	±0.1	單位	DWG.NO.	55-0044	SCALE	
	Jase							mm(in)
認定	APPROVAL	.XXX	±0.05	比例	2:1			
	Angela	ANGLE	±5°					