

**Ordering number CA11959_LAURA-RS-PIN**

Family	Laura	FWHM	11 degrees
Type	Assembly	Efficiency	92 %
LED	LUXEON T	cd/lm	18.500
Color	White	Gerber File	Available
Diameter	21.6 x 21.6 mm		
Height	13.1 mm		
Style	Square		
Optic Material	PMMA		
Holder Material	PC		
Fastening	Pin, tape		
Status	Ready		

**Ordering number CA12011_LAURA-SS-PIN**

Family	Laura	FWHM	13 degrees
Type	Assembly	Efficiency	92 %
LED	LUXEON T	cd/lm	12.200
Color	White	Gerber File	Available
Diameter	21.6 + 21.6 mm		
Height	13.1 mm		
Style	Square		
Optic Material	PMMA		
Holder Material	PC		
Fastening	Pin, tape		
Status	Ready		

**Ordering number CA11960_LAURA-D-PIN**

Family	Laura	FWHM	18 degrees
Type	Assembly	Efficiency	89 %
LED	LUXEON T	cd/lm	4.500
Color	White	Gerber File	Available
Diameter	21.6 + 21.6 mm		
Height	13.1 mm		
Style	Square		
Optic Material	PMMA		
Holder Material	PC		
Fastening	Pin, tape		
Status	Ready		

**Ordering number CA11837_LAURA-M-PIN**

Family	Laura	FWHM	30 degrees
Type	Assembly	Efficiency	89 %
LED	LUXEON T	cd/lm	2.400
Color	White	Gerber File	Available
Diameter	21.6 mm		
Height	13.1 mm		
Style	Square		
Optic Material	PMMA		
Holder Material	PC		
Fastening	Pin, tape		
Status	Ready		

**Ordering number CA12344_LAURA-W-PIN**

Family	Laura	FWHM	46 degrees
Type	Assembly	Efficiency	88 %
LED	LUXEON T	cd/lm	1.400
Color	White	Gerber File	Available
Diameter	21.6 + 21.6 mm		
Height	13.1 mm		
Style	Square		
Optic Material	PMMA		
Holder Material	PC		
Fastening	Pin, tape		
Status	Ready		

Ordering number CA12325_LAURA-WW-PIN

Family	Laura	FWHM	65 degrees
Type	Assembly	Efficiency	87 %
LED	LUXEON T	cd/lm	0.800
Color	White	Gerber File	Available
Diameter	21.6 mm		
Height	13.1 mm		
Style	Square		
Optic Material	PMMA		
Holder Material	PC		
Fastening	Pin, tape		
Status	Ready		

NOTE: The typical divergence will be changed by different color, chip size and chip position tolerance. The typical total divergence is the full angle measured where the luminous intensity is half of the peak value.



PRODUCT DATASHEET

Laura series

last update 21/1/2013

PHILIPS
LUMILEDS

GENERAL INFORMATION

- Product series especially designed & optimized for LUXEON T series of LEDs.
- Special care taken to make light distribution as uniform as possible.
- Lens material optical grade PMMA with high UV and temperature resistance. Allows use of high current and temperature conditions.

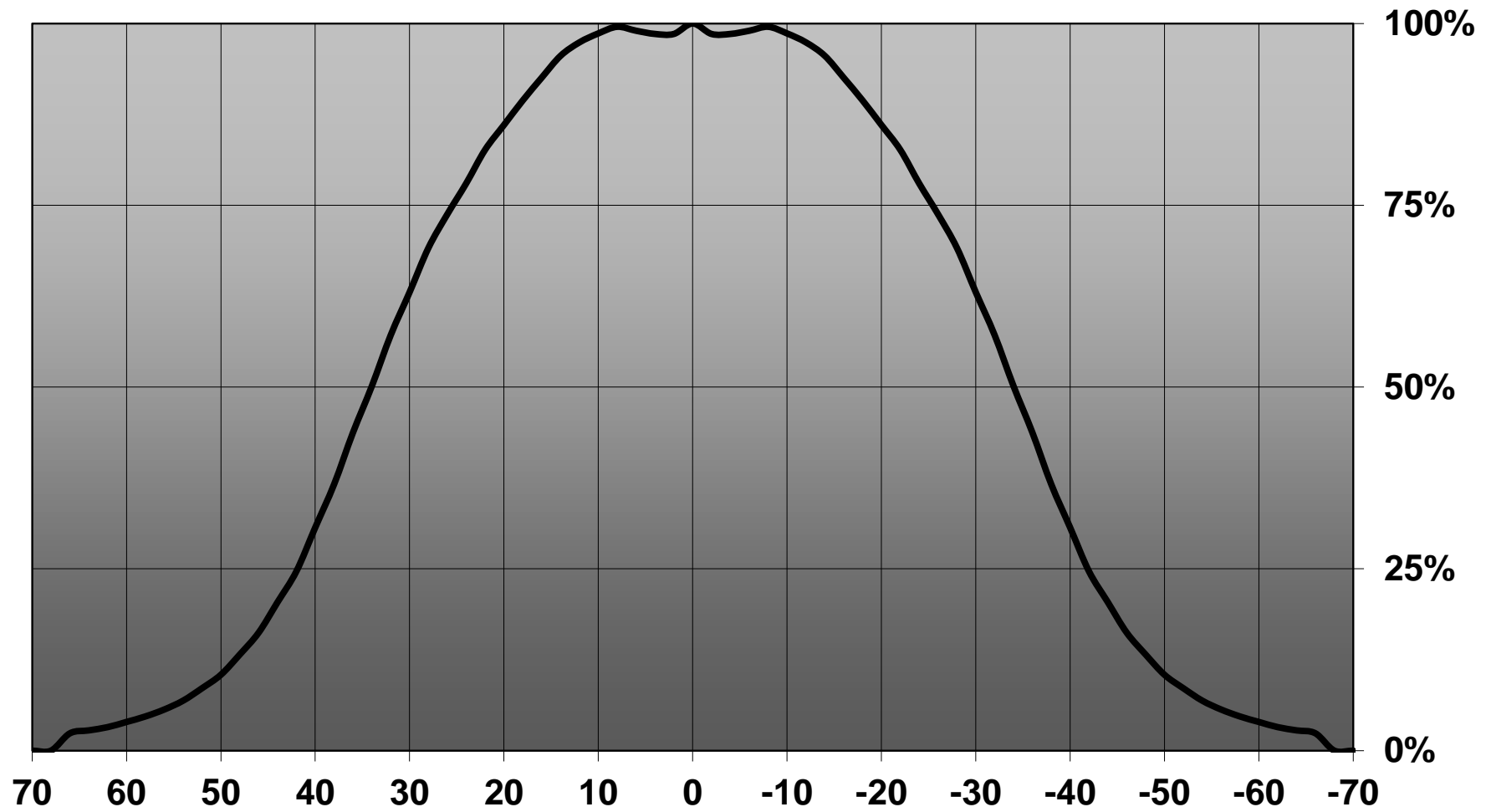
Please find more information about used material from below:

http://ledil.fi/sites/default/files/Documents/Technical/Material/PMMA%20N%20UL94_Yellow%20Card.pdf

<http://ledil.fi/sites/default/files/Documents/Technical/Material/PMMA%20N%20PLEXIGLAS-Datasheet.pdf>

- Optic holder molded by high quality PC material (120 degrees of Celcius / 248 degrees of Fahrenheit).

Relative intensity of Laura-WW-Pin-XP-G



D

C

B

A

4

4

3

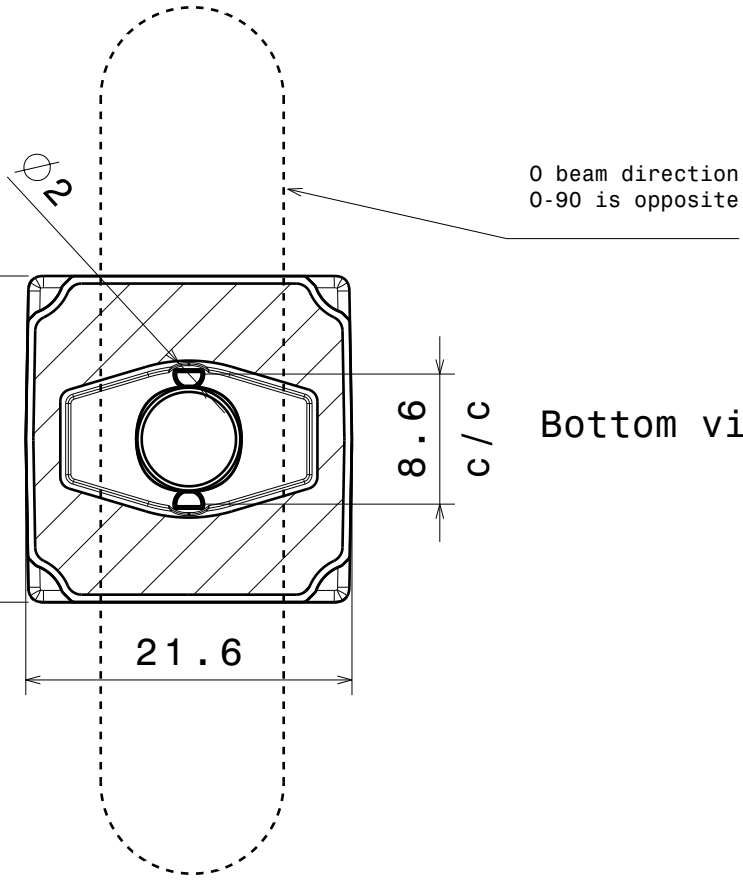
3

2

2

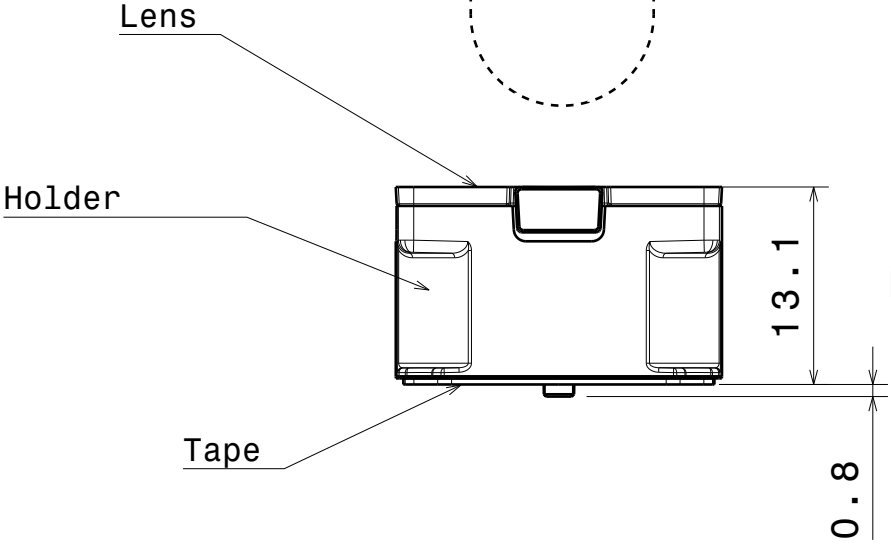
1

1



0 beam direction
0-90 is opposite

Bottom view



Front view

Materials:
 lens: PMMA
 holder: PC, black
 Tape: PU Foam

This drawing is our property.
 It can't be reproduced
 or communicated without
 our written agreement.



DRAWING TITLE

Datasheet Laura-Pin-tape assy

DRAWN BY p	DATE v20.1.2012
---------------	--------------------

CHECKED BY s n	DATE 20.1.2012
-------------------	-------------------

SIZE A4	DRAWING NUMBER -	REV 2
------------	---------------------	----------

DESIGNED BY hh/mav	DATE 04.11.2010
-----------------------	--------------------

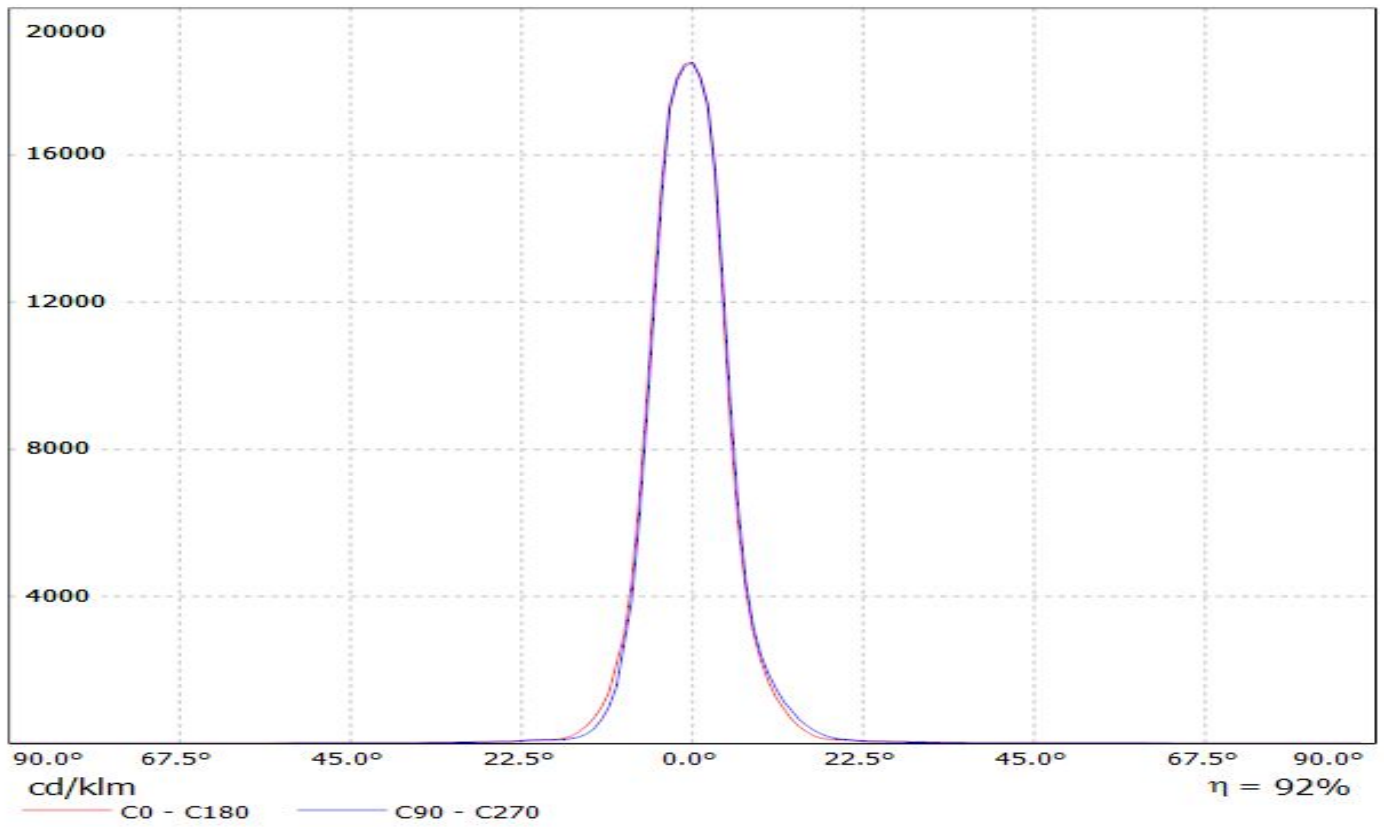
SCALE 2:1	WEIGHT (g)	SHEET 1/1
--------------	------------	--------------

D

A

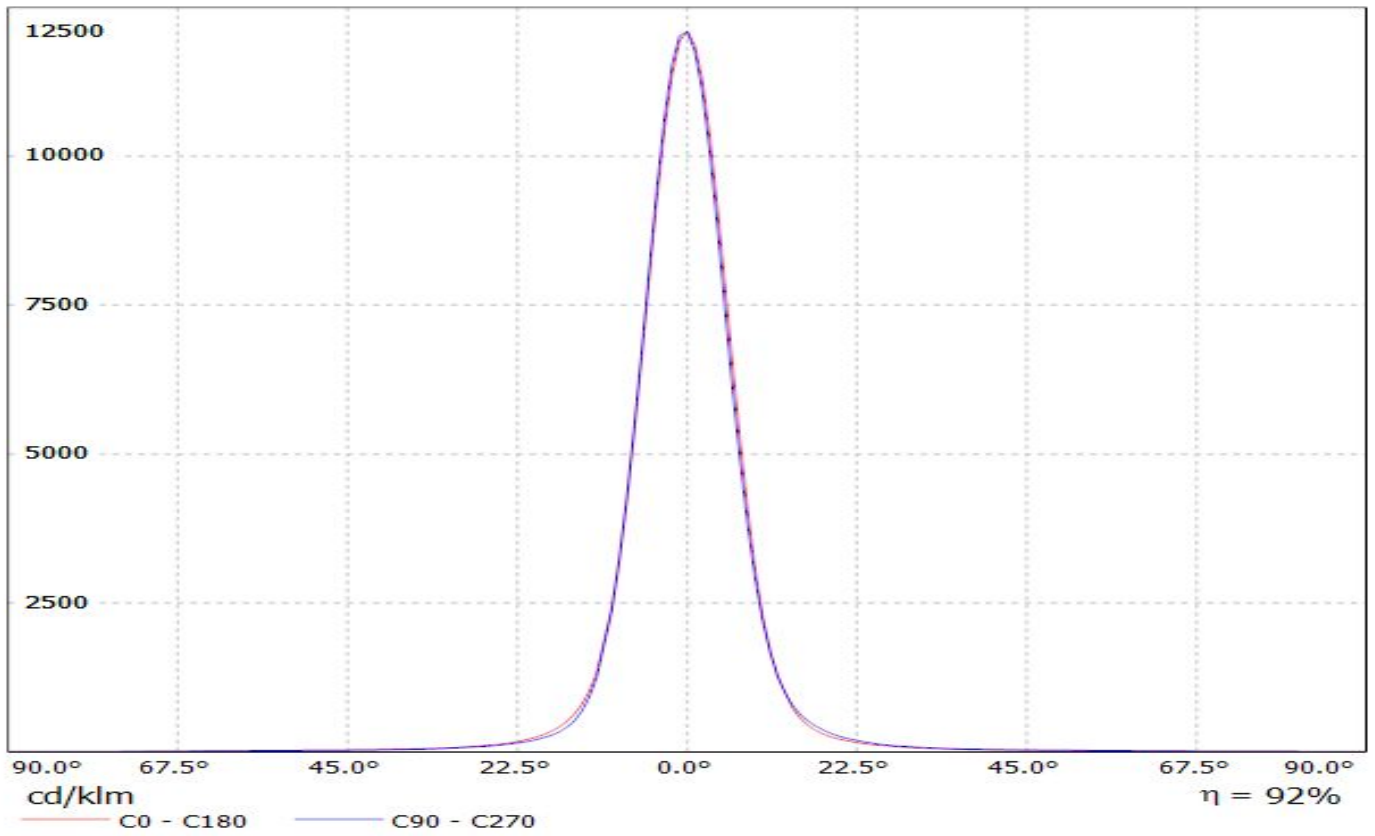
LEDiL Oy CA11959_LAURA-RS-PIN_(LUXEON_T)_2 Eff.92.0% / LDC (Linear)

Luminaire: LEDiL Oy CA11959_LAURA-RS-PIN_(LUXEON_T)_2 Eff.92.0%
Lamps: 1 x LUXEON T (74lm@250mA)

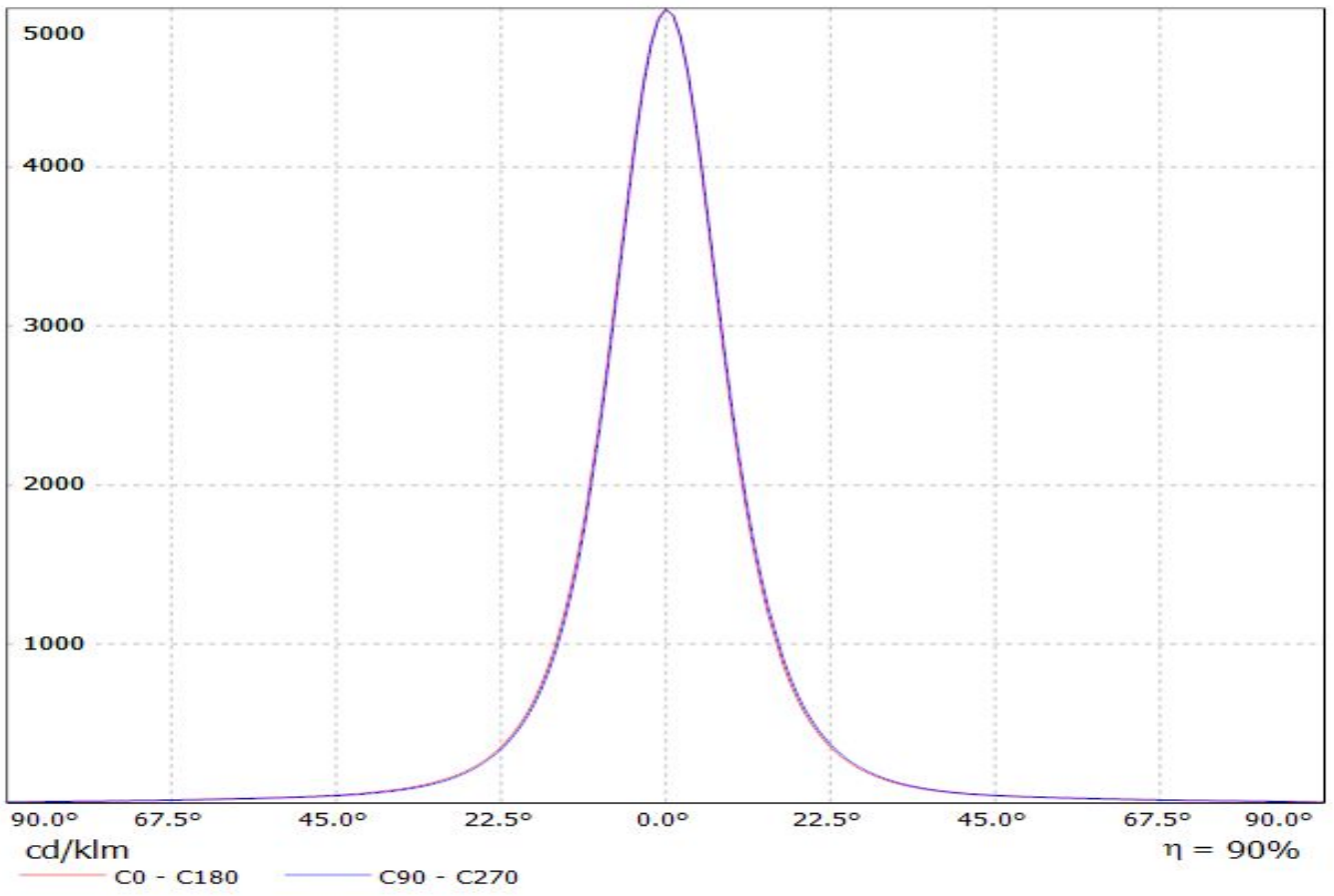


LEDiL Oy CA12011_LAURA-SS-PIN_(LUXEON_T)_1 Eff.92.4% / LDC (Linear)

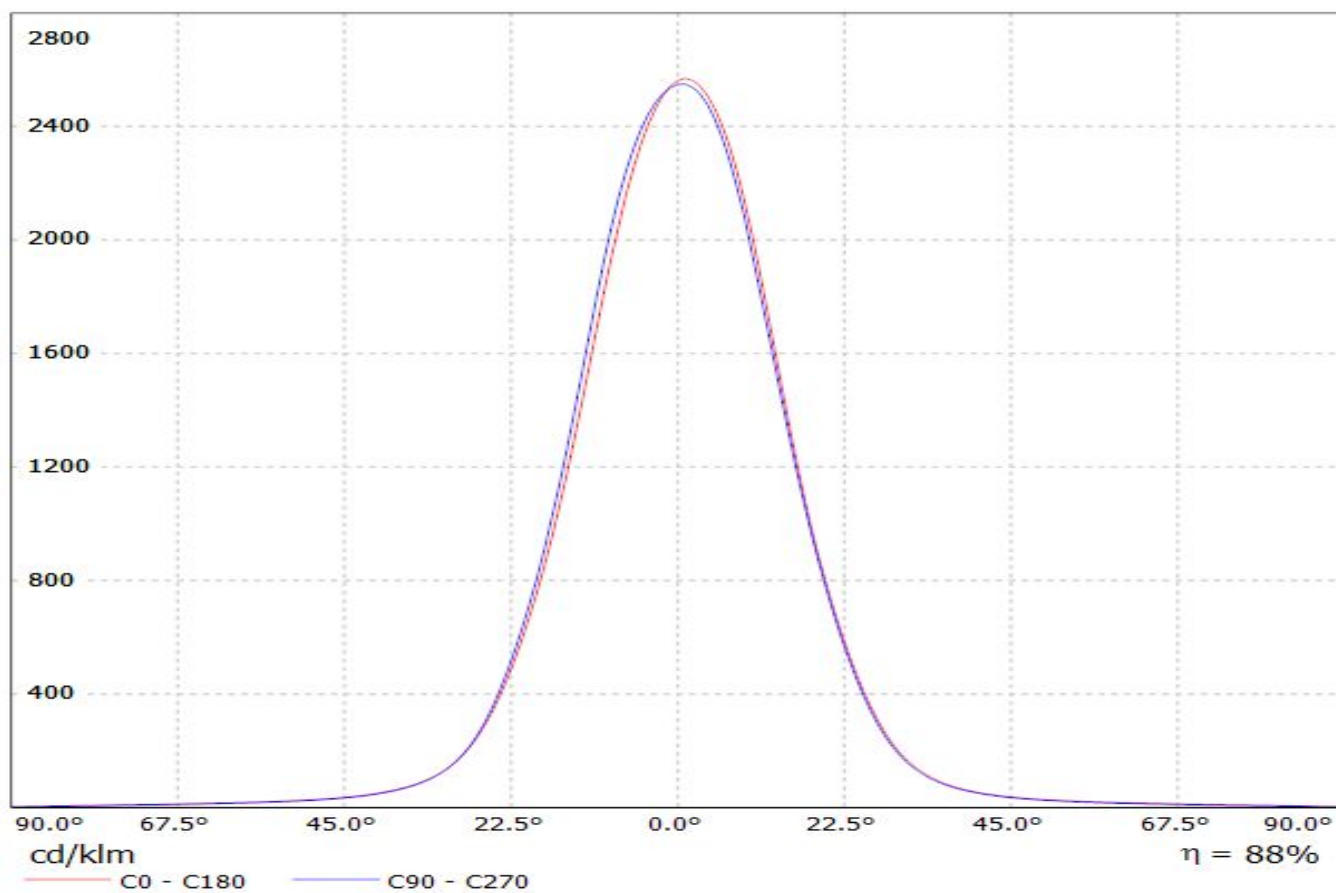
Luminaire: LEDiL Oy CA12011_LAURA-SS-PIN_(LUXEON_T)_1 Eff.92.4%
Lamps: 1 x LUXEON T (74lm@250mA)



Luminaire: LEDiL Oy CA11960_LAURA-D-PIN_(LUXEON_T) Eff. 89%
Lamps: 1 x LUXEON T (65lm@250mA)

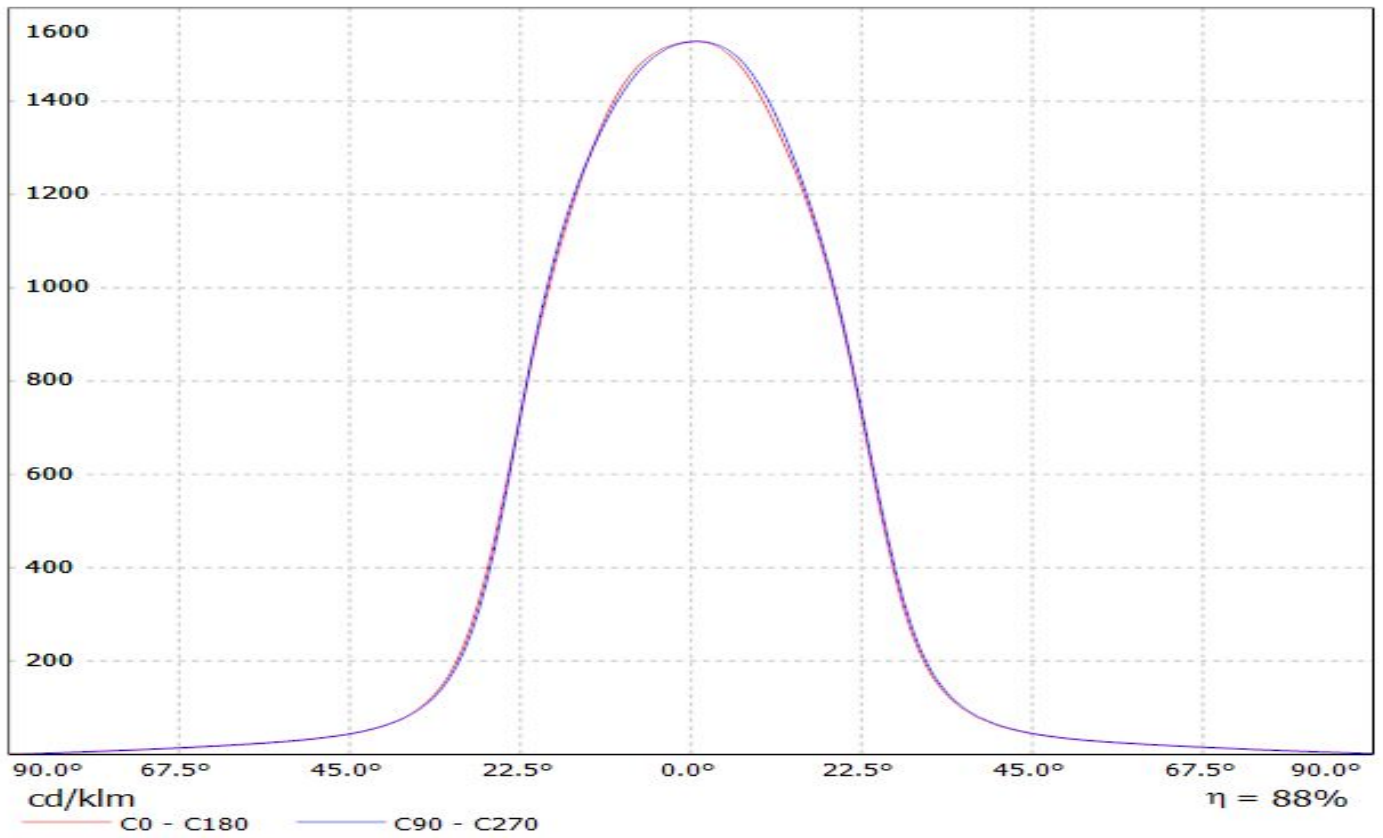


Luminaire: LEDiL Oy CA11837_LAURA-M-PIN_(LUXEON_T) Eff.89%
Lamps: 1 x LUXEON T (69lm@250mA)



LEDiL Oy CA12344_LAURA-W-PIN_(LUXEON_T)_1 Eff.87.6% / LDC (Linear)

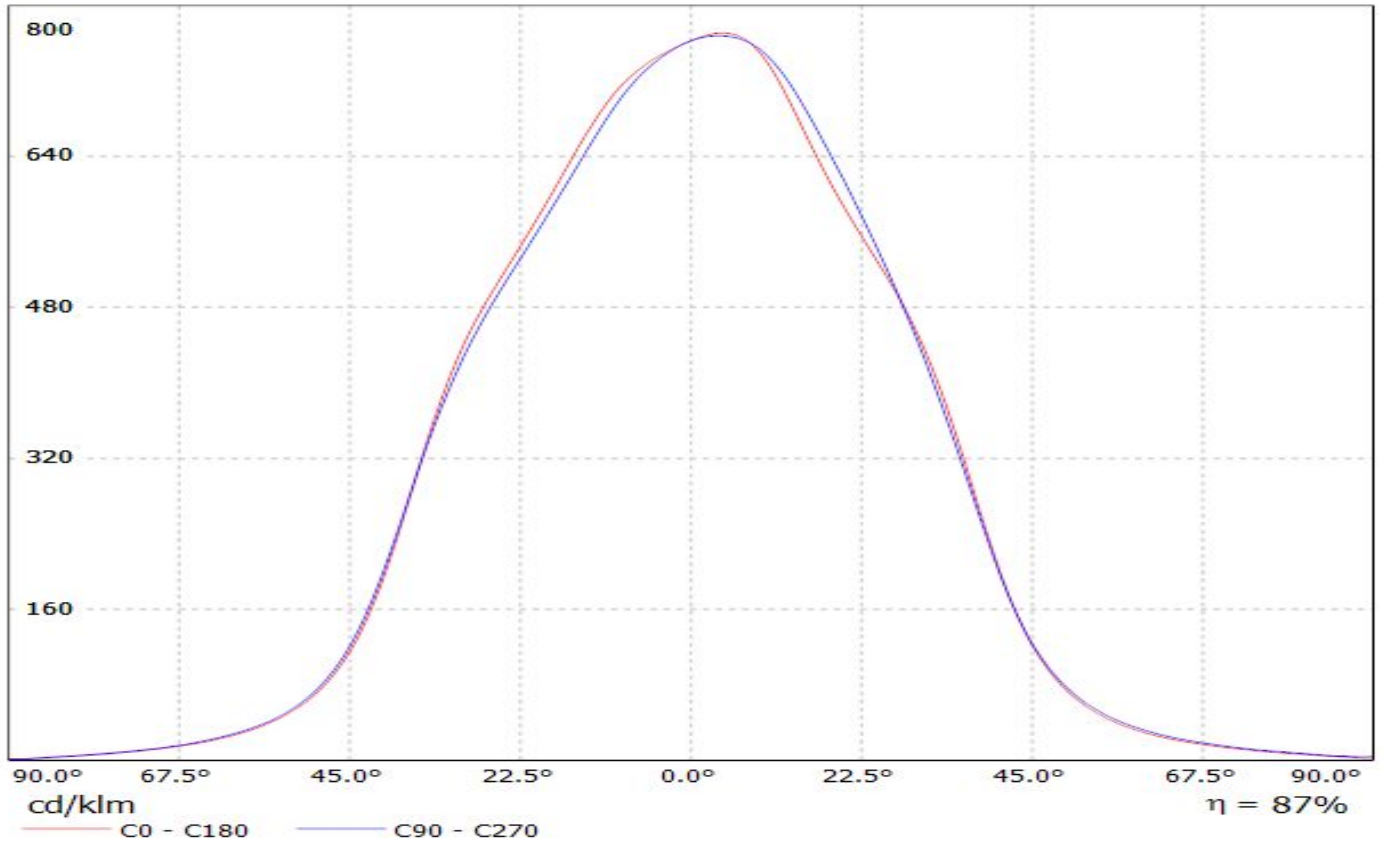
Luminaire: LEDiL Oy CA12344_LAURA-W-PIN_(LUXEON_T)_1 Eff.87.6%
Lamps: 1 x LUXEON T (74lm@250mA)



LEDiL Oy CA12325_LAURA-WW-PIN_(LUXEON_T)_3 Eff.87.2% / LDC (Linear)

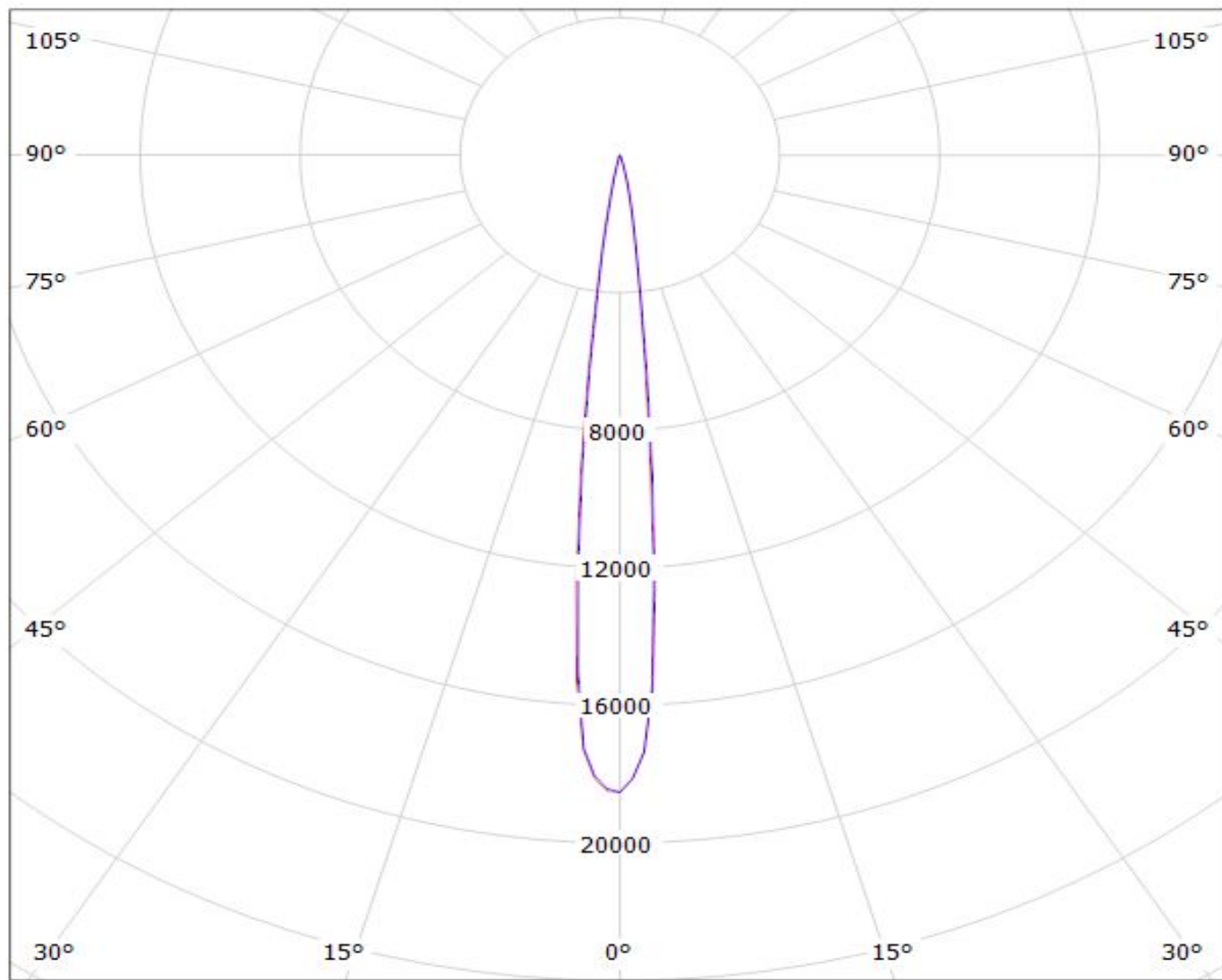
Luminaire: LEDiL Oy CA12325_LAURA-WW-PIN_(LUXEON_T)_3 Eff.87.2%

Lamps: 1 x LUXEON T (74lm@250mA)



LEDiL Oy CA11959_LAURA-RS-PIN_(LUXEON_T)_2 Eff.92.0% / LDC (Polar)

Luminaire: LEDiL Oy CA11959_LAURA-RS-PIN_(LUXEON_T)_2 Eff.92.0%
Lamps: 1 x LUXEON T (74lm@250mA)



cd/klm

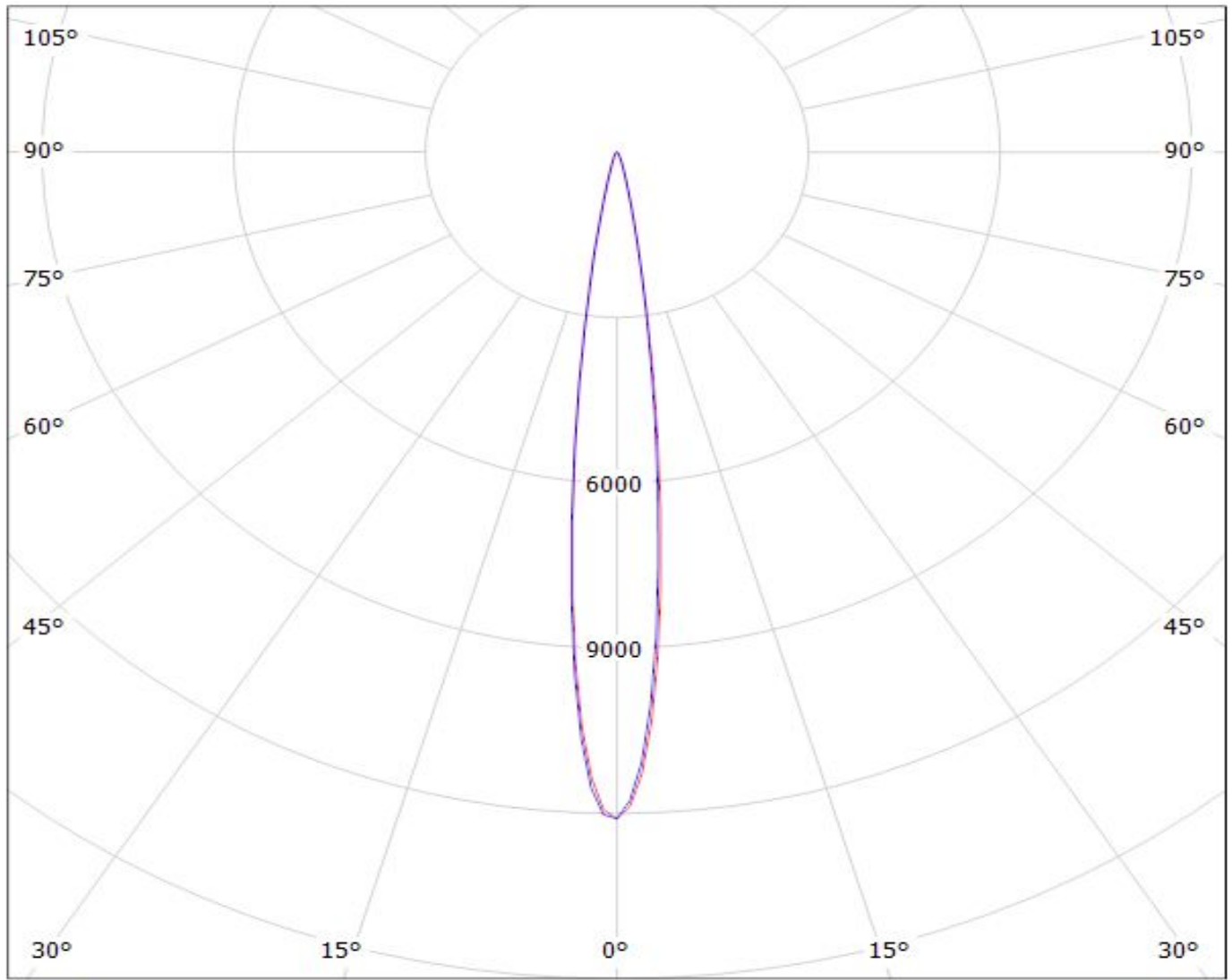
— C0 - C180 — C90 - C270

$\eta = 92\%$

LEDiL Oy CA12011_LAURA-SS-PIN_(LUXEON_T)_1 Eff.92.4% / LDC (Polar)

Luminaire: LEDiL Oy CA12011_LAURA-SS-PIN_(LUXEON_T)_1 Eff.92.4%

Lamps: 1 x LUXEON T (74lm@250mA)



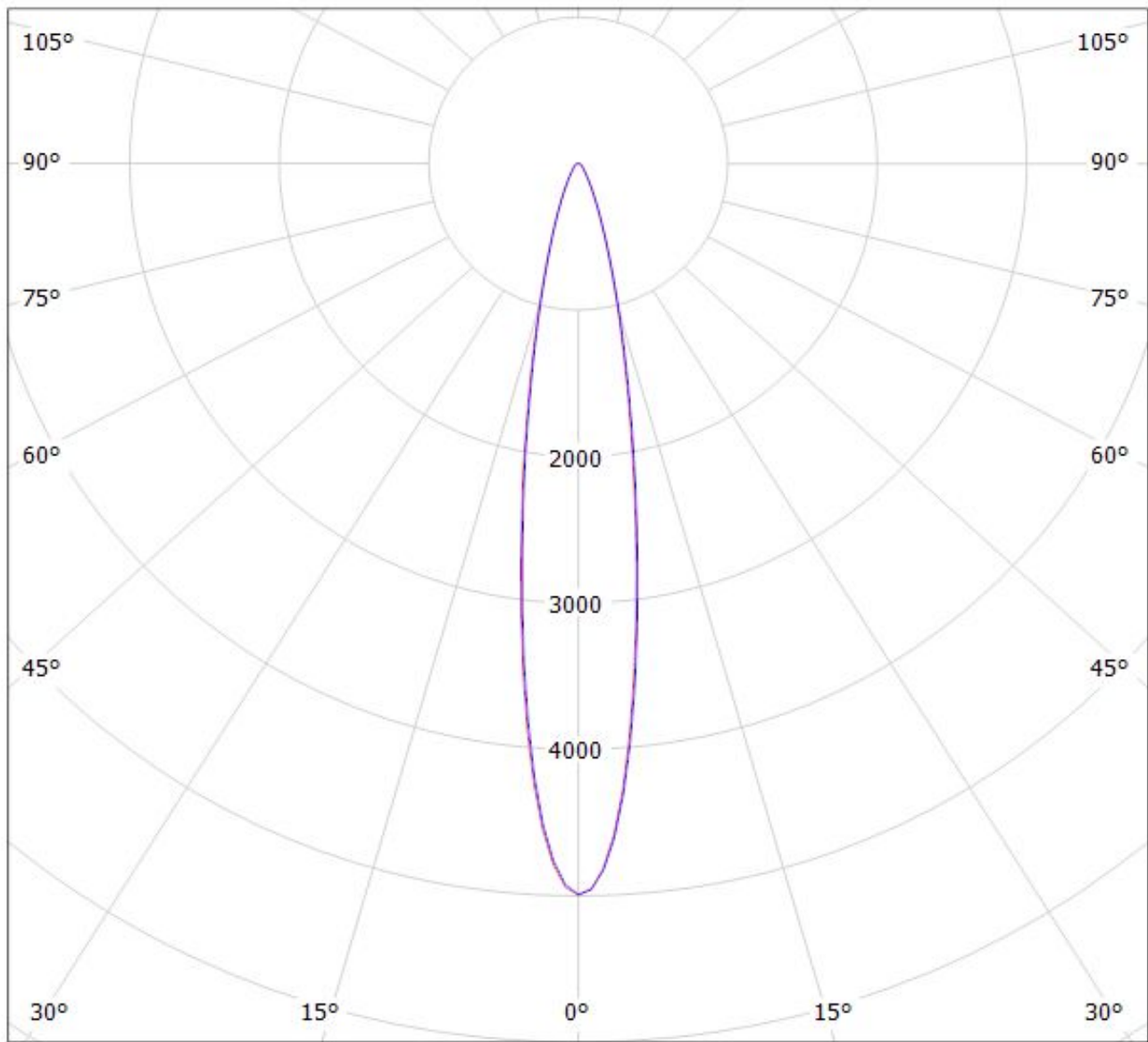
cd/klm

— C0 - C180

— C90 - C270

$\eta = 92\%$

Luminaire: LEDiL Oy CA11960_LAURA-D-PIN_(LUXEON_T) Eff.89%
Lamps: 1 x LUXEON T (65lm@250mA)



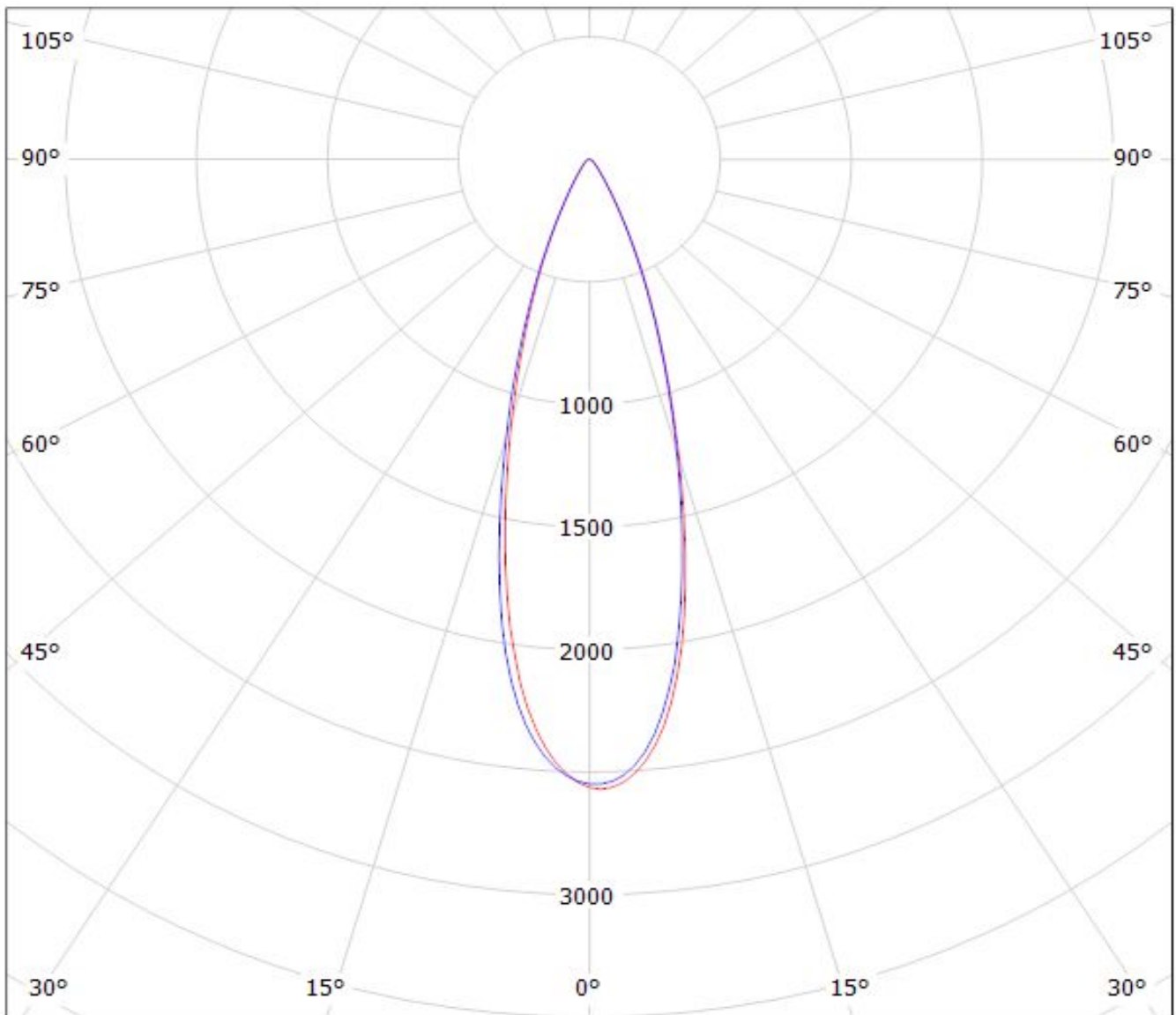
cd/klm

— C0 - C180

— C90 - C270

$\eta = 90\%$

Luminaire: LEDiL Oy CA11837_LAURA-M-PIN_(LUXEON_T) Eff.89%
Lamps: 1 x LUXEON T (69lm@250mA)



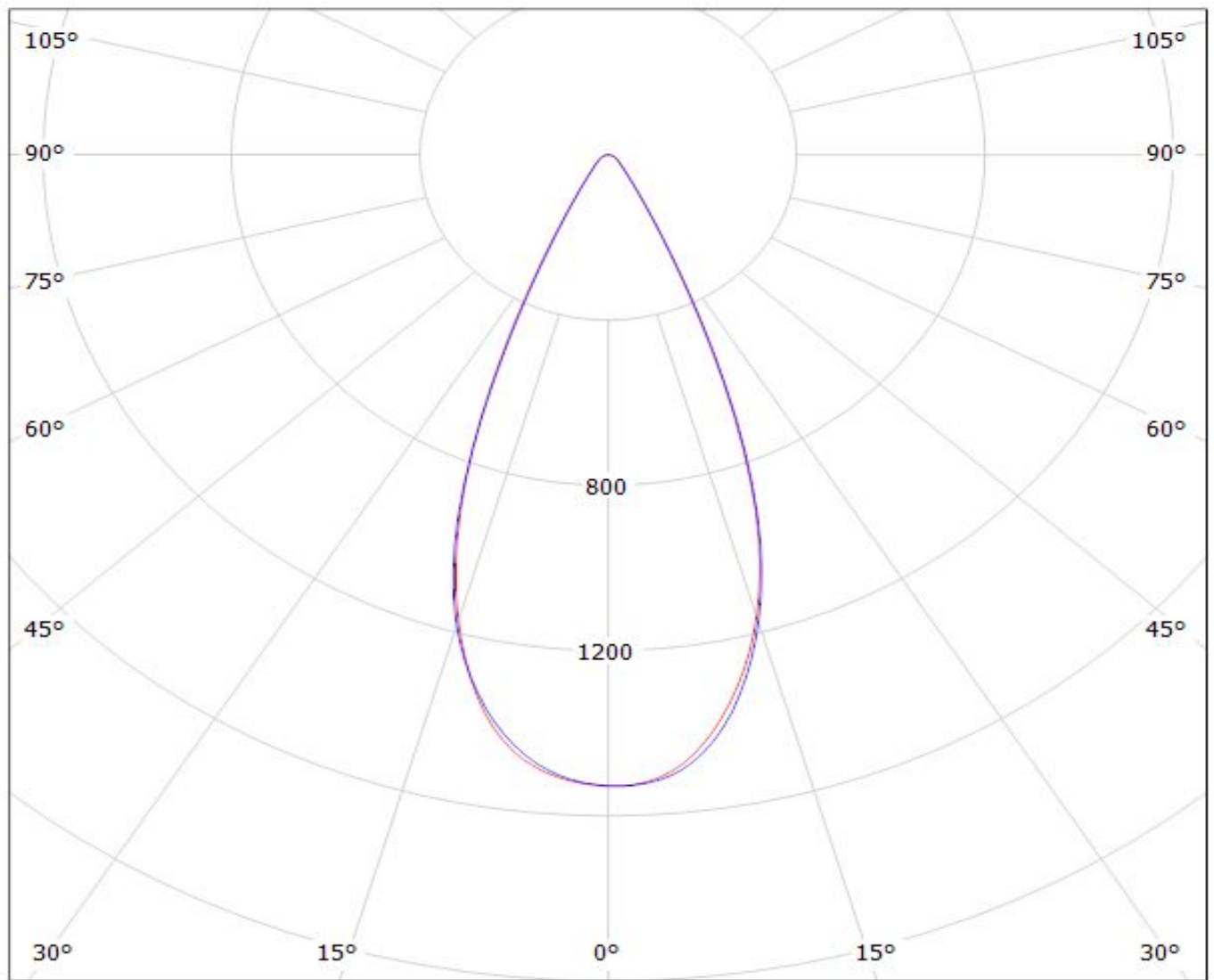
cd/klm

$\eta = 88\%$

— C0 - C180 — C90 - C270

LEDiL Oy CA12344_LAURA-W-PIN_(LUXEON_T)_1 Eff.87.6% / LDC (Polar)

Luminaire: LEDiL Oy CA12344_LAURA-W-PIN_(LUXEON_T)_1 Eff.87.6%
Lamps: 1 x LUXEON T (74lm@250mA)



cd/klm

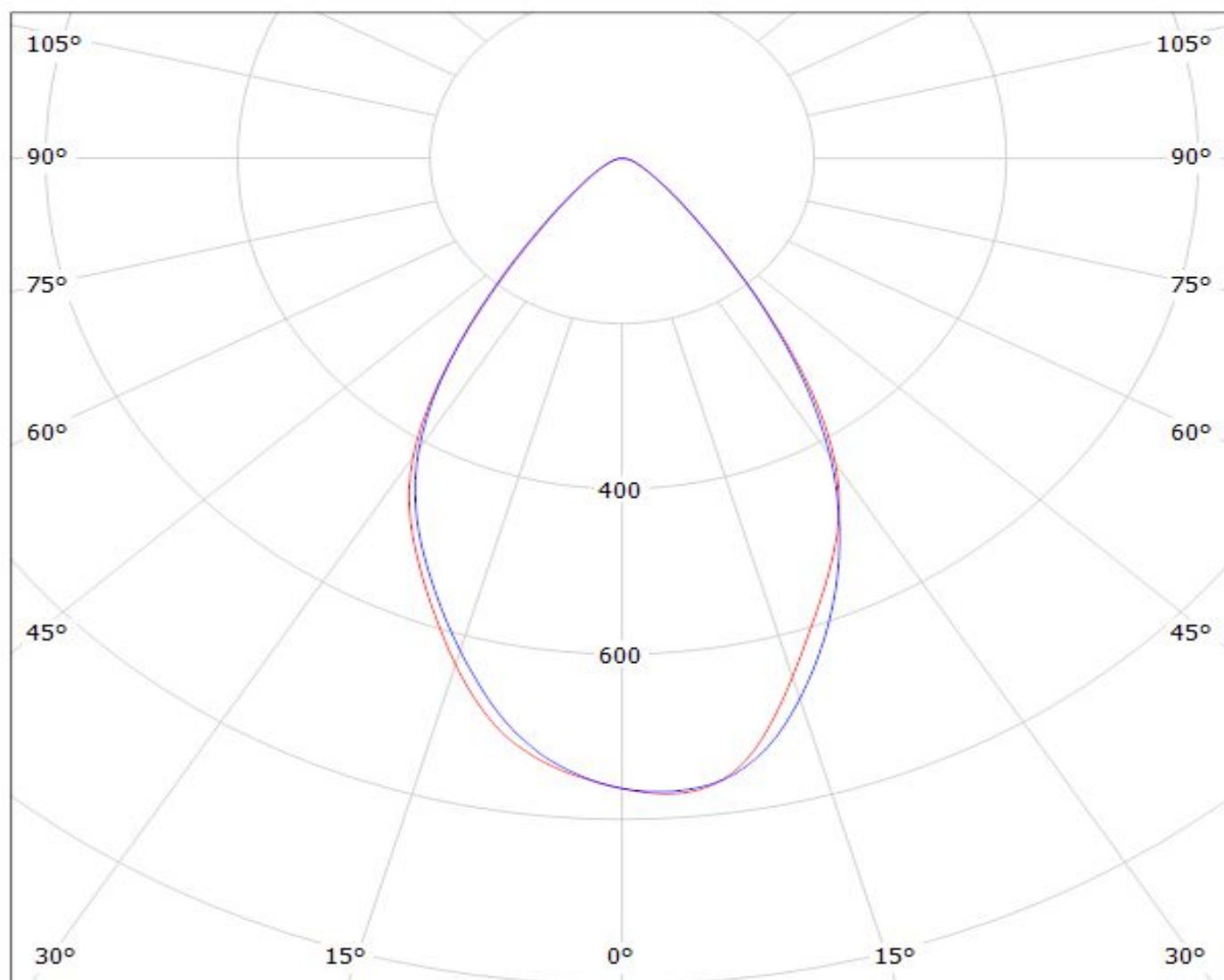
$\eta = 88\%$

— C0 - C180 — C90 - C270

LEDiL Oy CA12325_LAURA-WW-PIN_(LUXEON_T)_3 Eff.87.2% / LDC (Polar)

Luminaire: LEDiL Oy CA12325_LAURA-WW-PIN_(LUXEON_T)_3 Eff.87.2%

Lamps: 1 x LUXEON T (74lm@250mA)



cd/klm

— C0 - C180

— C90 - C270

$\eta = 87\%$