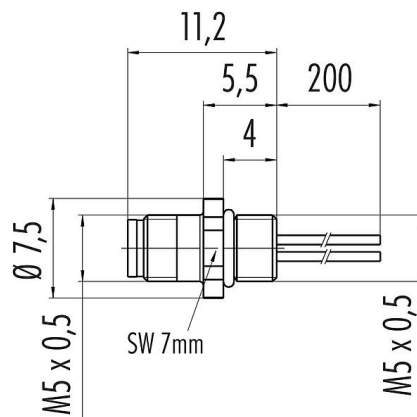


| | |
|---------------------|---|
| Product description | M5 Male panel mount connector, Contacts: 3, unshielded, single wires, IP67 |
| Area | M5 series 707 |
| Part no. | 09 3105 01 03 |

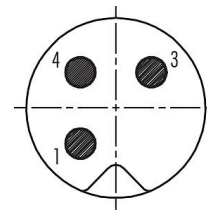
Illustration



Scale drawing



Contact arrangement (Plug-in side)



- 1 brown
- 2 not assembled
- 3 blue
- 4 black

You can find the assembly instructions on the next page.

Technical data

General features

| | |
|---------------------------|-------------------------------|
| Part no. | 09 3105 01 03 |
| Connector design | Male panel mount connector |
| Type standard | DIN EN 61076-2-105 |
| Wire length | 0.2 m |
| Version | Connector pin straight |
| Connector locking system | screw |
| Termination | single wires |
| Degree of protection | IP67 |
| Cross-sectional area | 0.25 mm ² / AWG 24 |
| Temperature range from/to | -25 °C / 80 °C |
| Mechanical operation | > 100 Mating cycles |
| Weight (g) | 3.72 |
| Customs tariff number | 85369010 |

Electrical parameters

| | |
|---------------------------|---------------------|
| Rated voltage | 60 V |
| Rated impulse voltage | 800 V |
| Rated current (40 °C) | 1.0 A |
| Insulation resistance | > 10 ⁹ Ω |
| Pollution degree | 3 |
| Overvoltage category | II |
| Insulating material group | I |
| EMC compliance | unshielded |

| | |
|---------------------|--|
| Product description | M5 Male panel mount connector, Contacts: 3, unshielded, single wires, IP67 |
| Area | M5 series 707 |
| Part no. | 09 3105 01 03 |

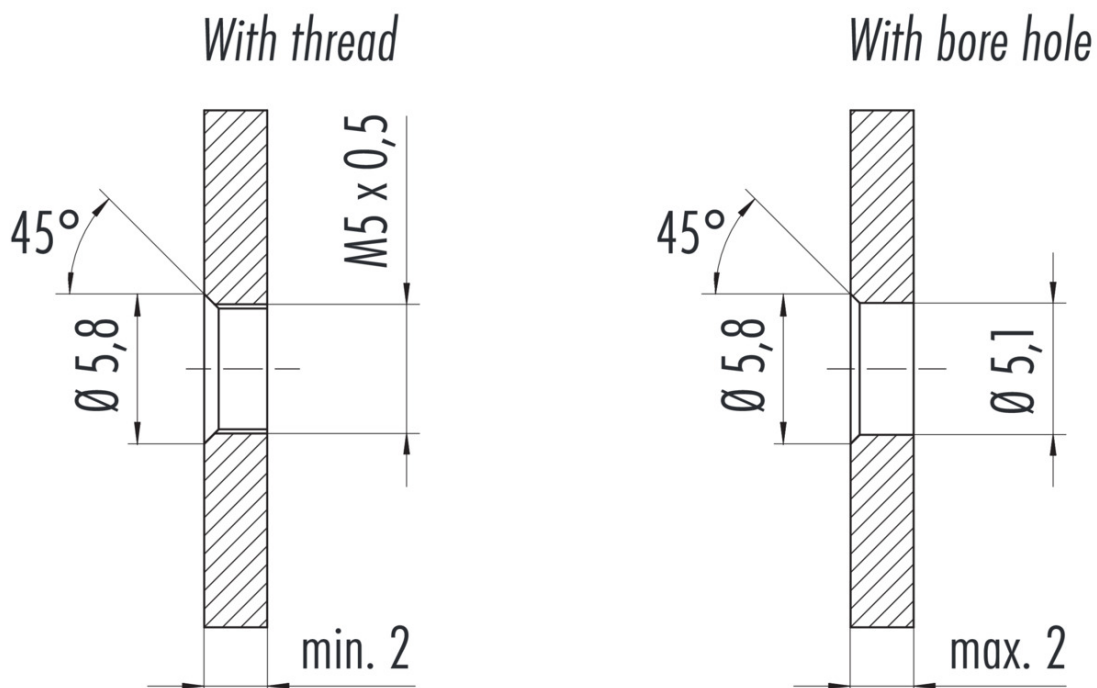
Material

| | |
|-----------------------|--------------------------------------|
| Contact body material | PA |
| Contact material | CuZn (brass) |
| Contact plating | Au (gold) |
| REACH SVHC | CAS 7439-92-1 (Lead) |
| SCIP number | f36ab4e1-51f0-48fe-b582-fe3320bb70be |

Classifications

| | |
|-------------|-------------|
| eCl@ss 11.1 | 27-44-01-09 |
| ETIM 9.0 | EC003569 |

Assembly instructions / Panel cut-out



| | |
|---------------------|---|
| Product description | M5 Male panel mount connector, Contacts: 3, unshielded, single wires, IP67 |
| - | - |
| Area | M5 series 707 |
| Part no. | 09 3105 01 03 |

Security notices

The connectors have been developed for applications in plant engineering, control and electrical equipment construction. The user is responsible for checking whether the connectors can also be used in other areas of application.

Plug connectors with enclosure protection IP67 and IP68 are not suitable for use under water. When used outdoors, the plug connectors must be protected separately against corrosion. For further information on the IP protection classes, please refer to the "Technical Information" download centre.