

A3 Series

ILLUMINATED PUSHBUTTON SWITCHES

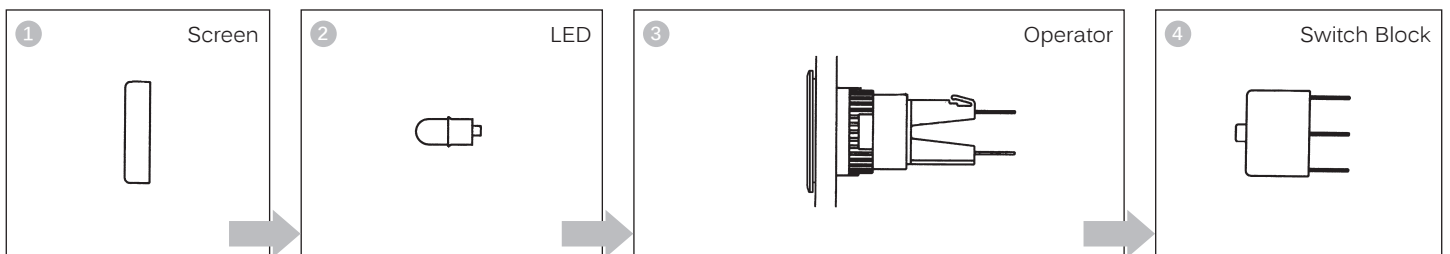
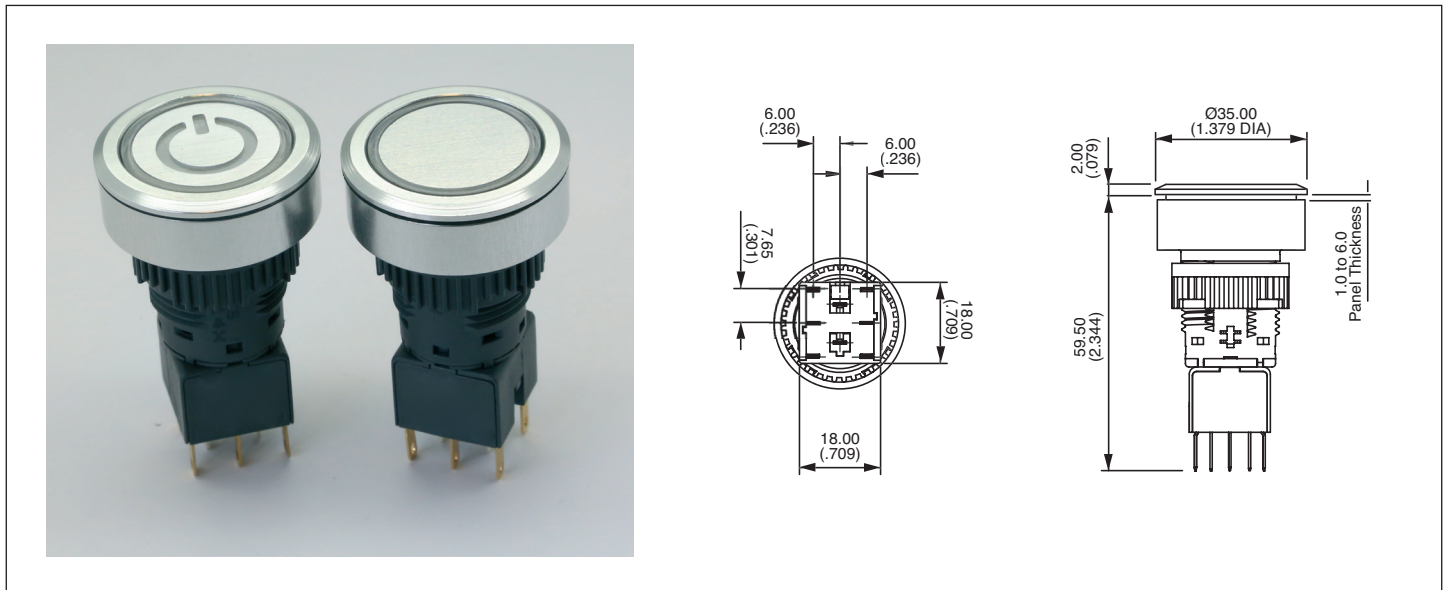
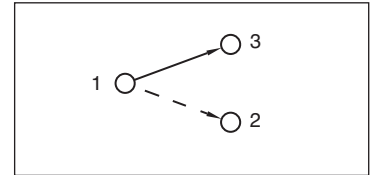
Panel cut-out Ø30mm Metal Flush Mounting Bezel

A pushbutton assembly requires:

screen + LED + operator + switchblock

To order these elements, select desired model numbers from the table below.

Example: IP65 flush mounting round pushbutton, maintained function, start screen, double pole switch block and 12v red LED = A3PFA1X203J1



A3	<input type="checkbox"/>	<input type="checkbox"/>	<input type="checkbox"/>	<input type="checkbox"/>	<input type="checkbox"/>	<input type="checkbox"/>	<input type="checkbox"/>	<input type="checkbox"/>
Switch Type	Bezel	Illumination	Sealing	Function	Switch Block	Bulb		
P - pushbutton	F - flush	A - illuminated	1 - sealed IP65	X - latching Y - momentary	2 - double pole	J1 - Led 12v red	J2 - Led 12v green	J3 - Led 12v amber
						J4 - Led 12v blue	J5 - Led 12v white	K1 - Led 24v red
						K2 - Led 24v green	K3 - Led 24v amber	K4 - Led 24v blue
						K5 - Led 24v white		



For other screen engraving options contact APEM Components. Max. panel thickness 8mm.