

DIMAX 540 APP B

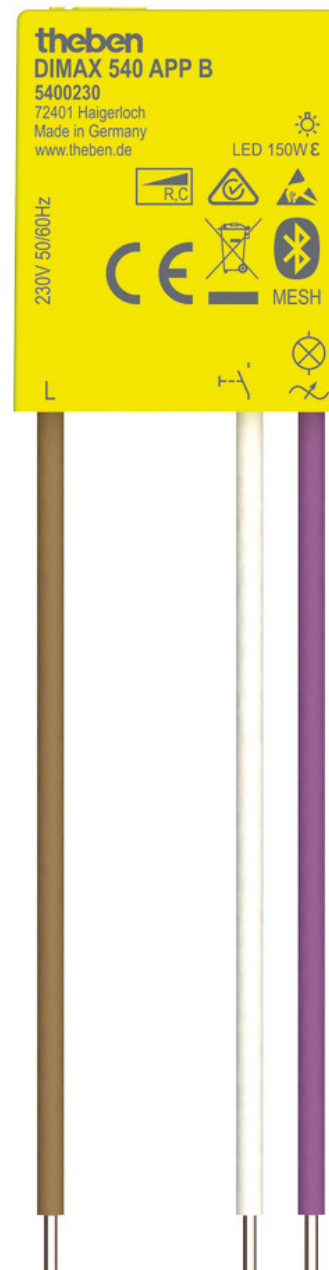
Item no.: 5400230

theben

Time and light control Dimmer

Description

- Flush-mounted dimmer for R and C loads
- No neutral conductor necessary
- Can be controlled and programmed via Bluetooth using an app or push-button
- Can be networked and expanded via Bluetooth mesh
- Light scenes and astro program
- App for Android and iOS
- Cable length of up to 100 m possible, also suitable for two-way circuits with larger distances and multiple push buttons
- Easier selection of the optimal dimming value thanks to extended dimming speed of 5 seconds
- Optimised settings for LEDs and incandescent lamps
- Function minimum brightness (10% in state of delivery, adjustable)
- Small design, perfect for retrofitting
- Completely encapsulated electronics
- Temperature cut-off
- Overcurrent cut-off
- Short-circuit fuse
- Memory function saves the most recently set light level value and then dims to this value the next time it is switched on
- Dimensions 32,7 x 26,6 x 9,6 mm



Subject to technical changes and misprints

additional information at: www.theben.de/product/5400230

The load data are determined with exemplary selected illuminants and are therefore typical data due to the large number of available products.

DIMAX 540 APP B

Item no.: 5400230

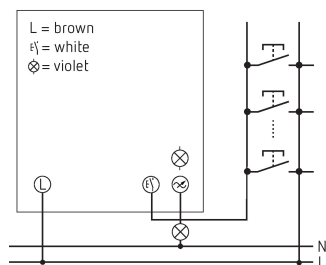
theben

Technical data

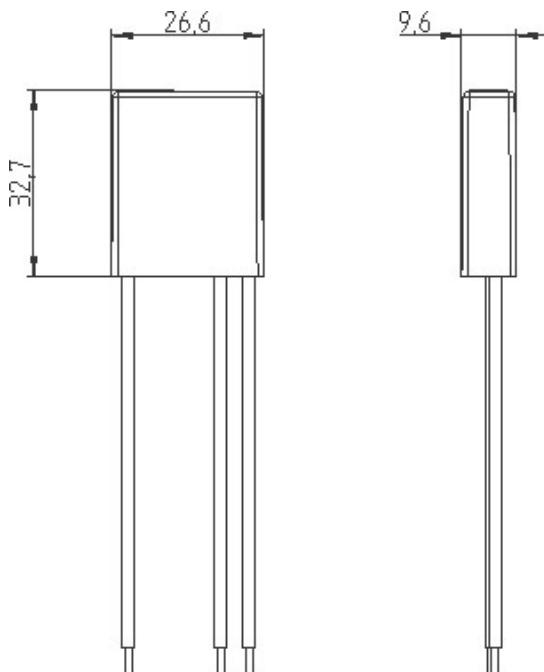
DIMAX 540 APP B	
Operating voltage	230 V AC
Frequency	50 - 60 Hz
Installation type	Flush-mounted
Stand-by consumption	< 0.5 W
Incandescent/halogen lamp load	150 W
LED lamp 2-8 W	150 W

DIMAX 540 APP B	
Programmierung per App	✓
Setting	App
Max. cable length	100 m
Ambient temperature	-10°C ... 45°C

Connection example



Scale drawings



Subject to technical changes and misprints

additional information at: www.theben.de/product/5400230

The load data are determined with exemplary selected illuminants and are therefore typical data due to the large number of available products.

18/02/2026

Page 2 of 3

DIMAX 540 APP B

Item no.: 5400230

theben

Accessories

Compensation module LED

Item no.: 9070825



Subject to technical changes and misprints

additional information at: www.theben.de/product/5400230

The load data are determined with exemplary selected illuminants and are therefore typical data due to the large number of available products.

18/02/2026

Page 3 of 3