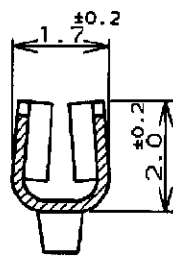
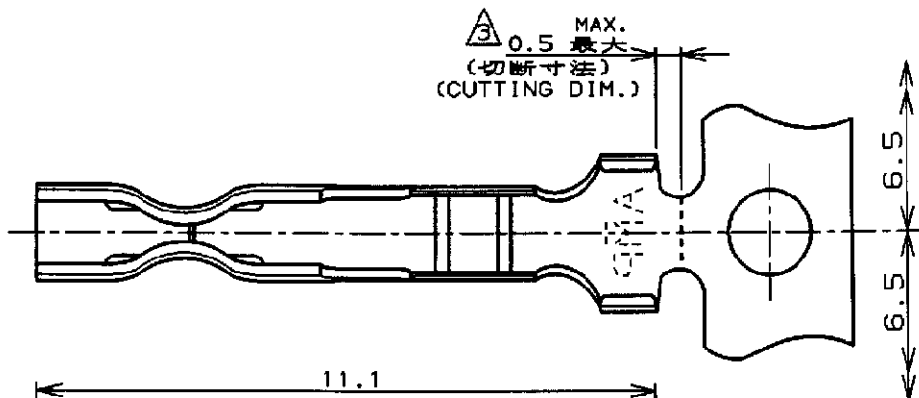
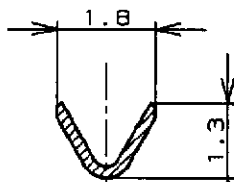
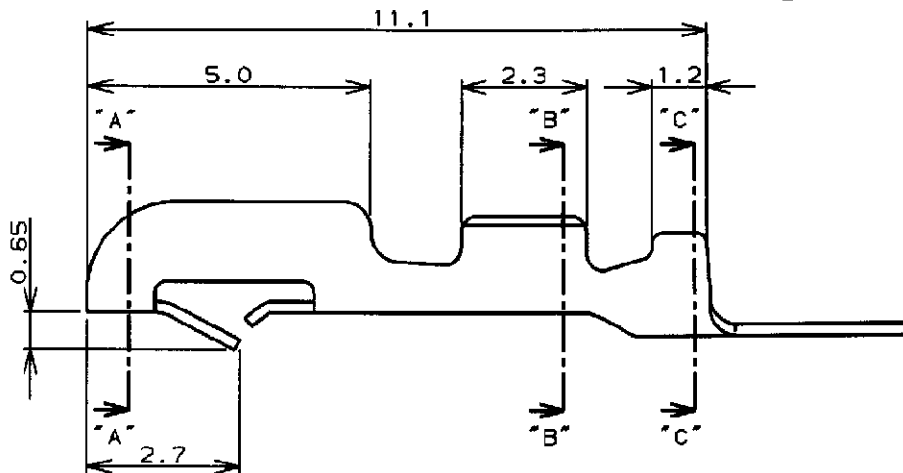


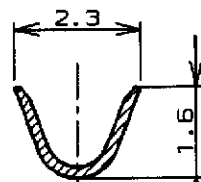
LOC	DIST	REVISIONS						
		P	LTR	DESCRIPTION	ECN	DATE	DWN	APVD
J			A	REDRAWN	FJ00-1640-97	31.OCT.97	H.H	S.K



断面 "A"- "A"
SECT.



断面 "B"- "B"
SECT.



断面 "C"- "C"
SECT.

NOTES:

- HOUSINGS, P/N: 171822 AND 171880 ARE USED.
- L/P CONTACT P/N: 170205-3.
- HAND TOOL P/N: 722561-1.

注記:

- 使用ハウジングは製品型番: 171822及び171880.
- L/P端子 製品型番: 170205-3.
- 適用手動工具 製品型番: 722561-1.

THIS DRAWING IS UNPUBLISHED.
BY AMP INCORPORATED. ALL RIGHTS RESERVED.
COPYRIGHT 19

WIRE RANGE 包含電線断面積 0.05~0.15mm ² (AWG30~26)	INSULATION DIA 被覆外径 1.0~1.4mm
--	-------------------------------------

MATERIAL PHOS BR 材料 0.2mm THICKNESS	FINISH 仕上 GOLD PLATING
--	---------------------------

AMP 日本エー・エム・ピー株式会社
Kawasaki, Japan

NAME 名称	CONTACT (AMP EI SERIES CONNECTOR)	
------------	-----------------------------------	--

SIZE	CAGE CODE	DRAWING NO 番号
A	00779	C-170263-3

DIMENSIONS: 単位 純 mm	
TOLERANCES UNLESS OTHERWISE SPECIFIED:	
一般公差	±0.4
10%	±0.4
50%	±0.4
100%	±0.4
ANGLE	±1°0'

DWN <i>H. Hoshino</i> 31.OCT.97	MATERIAL PHOS BR 材料 0.2mm THICKNESS
CHK <i>A. Tomiyama</i> 31.OCT.97	FINISH 仕上 GOLD PLATING
APVD <i>S. Kobayashi</i> 31.OCT.97	NAME 名称
PRODUCT SPEC 製品規格	CONTACT (AMP EI SERIES CONNECTOR)
APPLICATION SPEC 取付適用規格	SIZE
114-5035	CAGE CODE
WEIGHT	DRAWING NO 番号
	C-170263-3
CUSTOMER DRAWING	SCALE
	8-1

SHEET	1 OF 1	REV	A
-------	--------	-----	---