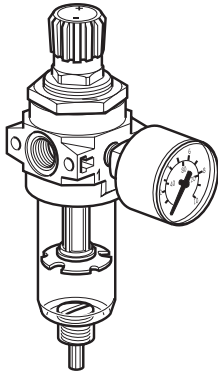
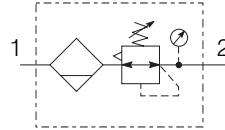


# Mini FRLs

## Filter regulator



## Symbol



- 'Elastomatic' filter elements 5 micron standard, 40 micron optional.
- 3 secondary pressure ranges, 0-2 bar, 0-4 bar or 0-8 bar.
- Push to lock, non-rising control knob.
- Colour coded adjustment knobs.  
8 bar Black, 4 bar Grey, 2 bar Blue.
- Tamperproof facility.

## Part numbers:

<b>P3A - EA</b>								<b>P</b>
G <sup>1/8</sup> <b>11</b>	Transparent Bowl Manual Drain	<b>B</b>	5 Micron-std	<b>E</b>	Relieving	<b>B</b>	0,2 - 8 bar + Gauge	<b>G</b>
G <sup>1/4</sup> <b>12</b>	Transparent Bowl Semi-Auto Drain	<b>C</b>	40 Micron	<b>G</b>	Non-Relieving	<b>N</b>	0,2 - 8 bar No Gauge	<b>N</b>
	Transparent Bowl Pulse Drain *	<b>Y</b>					0,2 - 2 bar + Gauge	<b>Z</b>
							0,2 - 2 bar No Gauge	<b>Y</b>
							0,2 - 4 bar + Gauge	<b>M</b>
							0,2 - 4 bar No Gauge	<b>L</b>

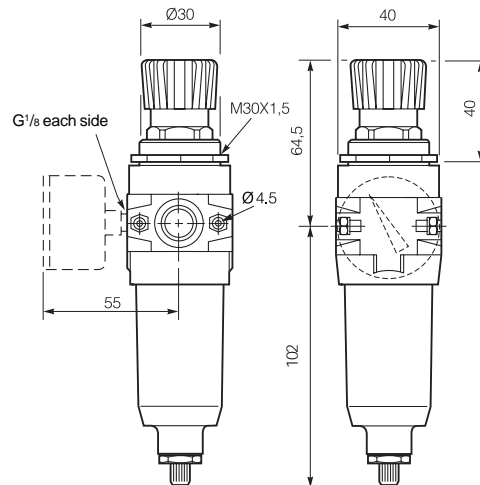
\* Available from February 2001

## Technical information

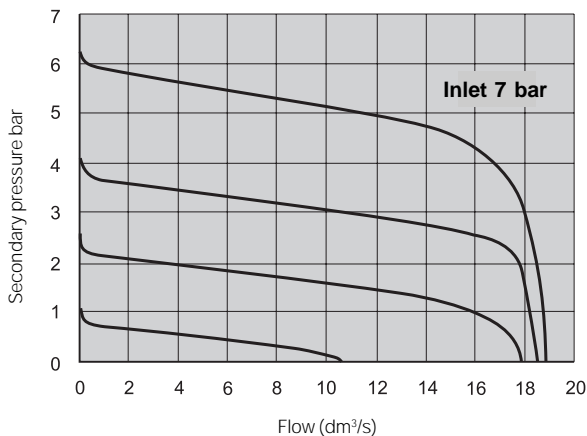
Max. inlet pressure	10 bar max.
Temperature range	-10°C +50°C
Bowl capacity	11 cm <sup>3</sup>
High capacity bowl	33 cm <sup>3</sup>
Weight	132g

**Note:** For materials see page 16.  
For pressure gauges see page 61.

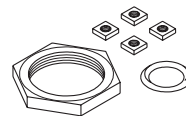
## Dimensions (mm)



## Flow characteristics



\* Modular connection kit  
with each product



For Repair Kits and Spares  
see page 62 and 63.