

## Features

- Strong, durable and corrosion resistant stainless steel construction
- Rotate the lever through 90 degrees to engage or disengage the plunger.

## RS PRO Index Plunger with Lever, Stainless Steel, M6, 4mm Plunger

RS Stock No.: 0761229



RS Professionally Approved Products bring to you professional quality parts across all product categories. Our product range has been tested by engineers and provides a comparable quality to the leading brands without paying a premium price.

## Product Description

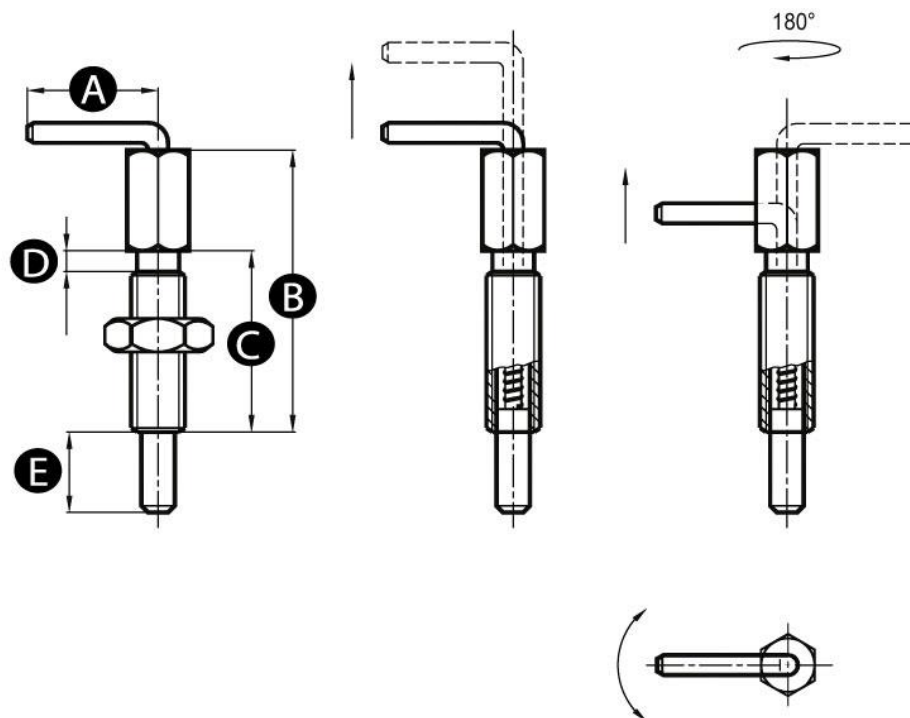
A strong, durable index plunger with a lever. Rotate the lever through 90 degrees to engage or disengage the plunger. Ideally suited to various types of work holding, and positioning applications.

## General Specifications

<b>Type</b>	Index plunger
<b>Body material</b>	Stainless steel
<b>Thread size</b>	M6
<b>Plunger diameter</b>	4mm
<b>Rest position</b>	No
<b>Colour</b>	Silver
<b>Application</b>	Ideal for applications requiring precision positioning, clamping adjustable elements, positioning work pieces, and latching mechanisms

## Mechanical Specifications

<b>A</b>	16
<b>B</b>	32
<b>C</b>	20
<b>D</b>	2.5
<b>E</b>	9.5
<b>Thread size</b>	M6
<b>Plunger diameter</b>	4



## Similar Products

Stock No.	Brand	Product Name	Length	Opening Angle
	RS PRO			
	RS PRO			
	RS PRO			
	RS PRO			