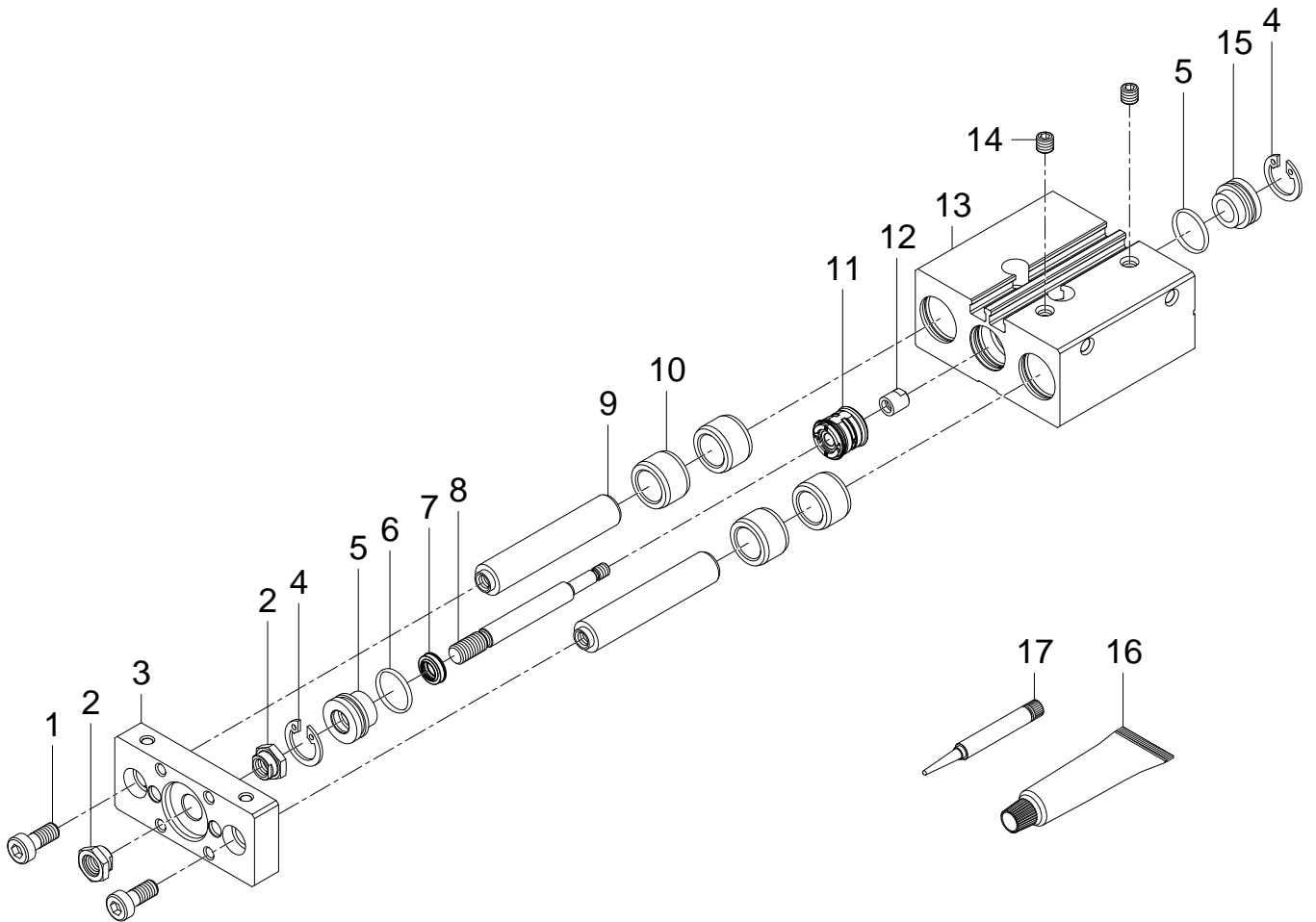


170826 DFM-12-25-P-A-GF Guided drive - Series till 07-2017



170826 DFM-12-25-P-A-GF Guided drive - Series till 07-2017

Pos.	Part no.	Type	Note	Qty.	Unit
A	8047213	DFM-12-PA :FR 02-2015 Set of wearing parts	Spare parts: 4, 6, 7, 11, 16, 17 Replacing the wearing parts	1	PC
1	774307	DIN 6912-M5X12-8.8 Socket head screw	Tightening torque 4.9 Nm / 3.6 lbf ft Use locking compound. See position 17	2	PC
2		M6 Collar nut	Not available Tightening torque 6.8 Nm / 5.0 lbf ft Use locking compound. See position 17	2	PC
3		DFM-12 End plate	Not available	1	PC
4		DIN 472-14X1 Retaining ring	Not available separately, see position A	2	PC
5		DFM-12 Bearing cap	Not available Grease using during assembly. See position 16	1	PC
6		B-12X1-N-NBR75 O-ring ISO3601	Not available separately, see position A Grease using during assembly. See position 16	1	PC
7		WIFC1-6X9X2,8-TPE-U Wiper seal	Not available separately, see position A Grease using during assembly. See position 16	1	PC
8		ARA-06-S0038.8-B Piston rod	Not available	1	PC
9		DFM-12-25-GF Guide rod	Not available	2	PC
10		DFM-12 Plain bearing	Not available	4	PC
11		BA-K10D-012-A Complete piston	Not available separately, see position A Grease using during assembly. See position 16	1	PC
12	709439	DSNU-12 Nut	Tightening torque 1 Nm / 0.7 lbf ft Use locking compound. See position 17	1	PC
13		DFM-12-25 Housing	Not available Grease using during assembly. See position 16	1	PC
14	369947	M5X5 Plug screw module		2	PC
15		DFM-12 End cap	Not available	1	PC
16	684474	LUB-KC1 SILIKONFREI 20ML Lubricating grease		1	PC
17	8181256	CYBERBOND TM44 TB1ML Adhesive bonding agent		1	PC