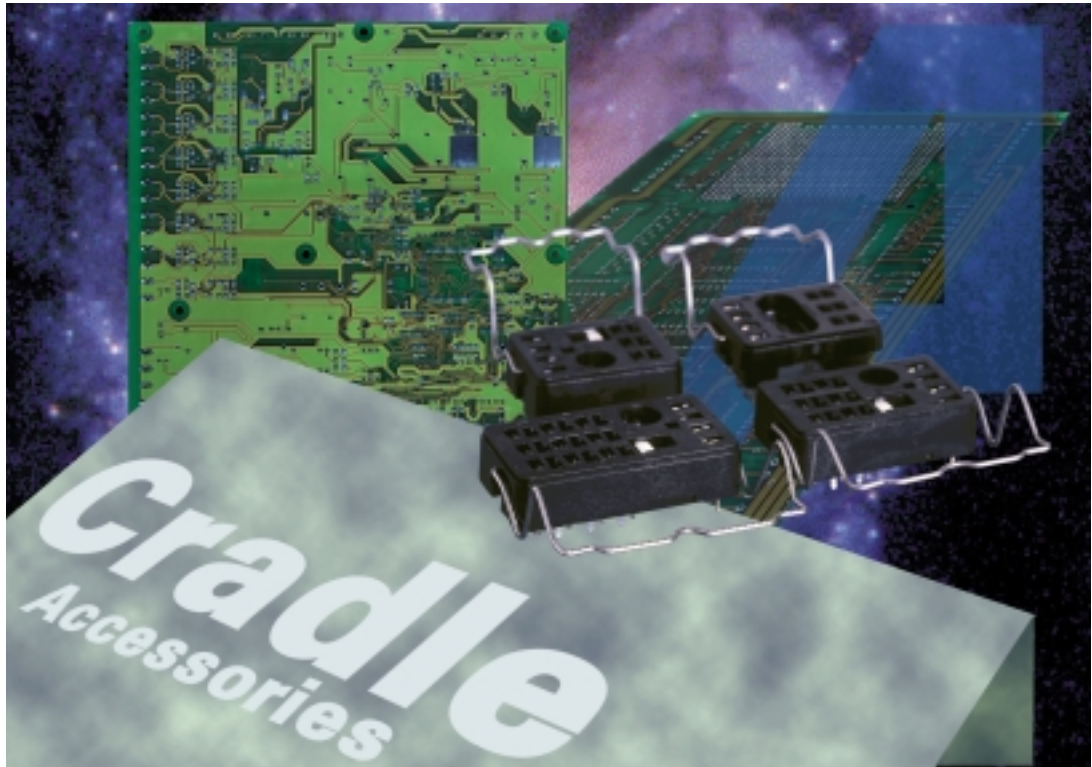


tyco

Electronics

AXICOM

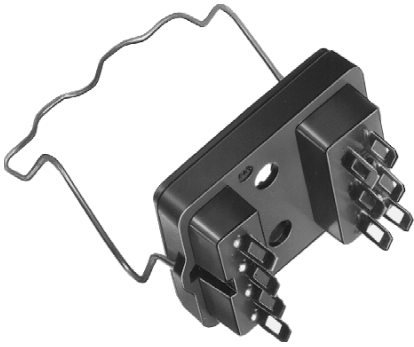
The Best Relaytion



Cradle Relay Accessories

Sockets with hand solder terminals

Size I



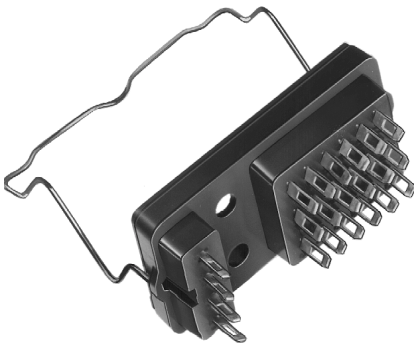
Approx. weight 3.5 g

Size II



Approx. weight 4.5 g

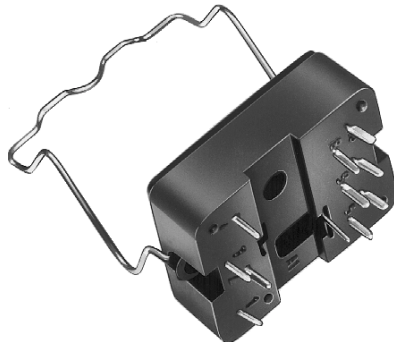
Size III



Approx. weight 5.5 g

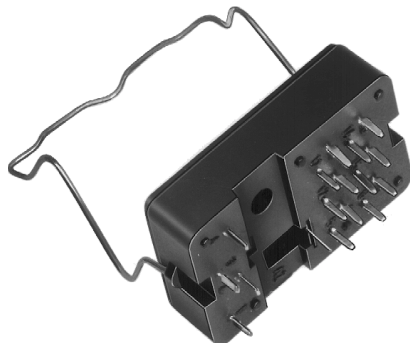
Sockets with PCB terminals

Size I



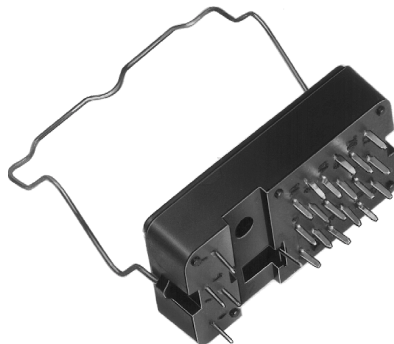
Approx. weight 4.5 g

Size II



Approx. weight 5.5 g

Size III



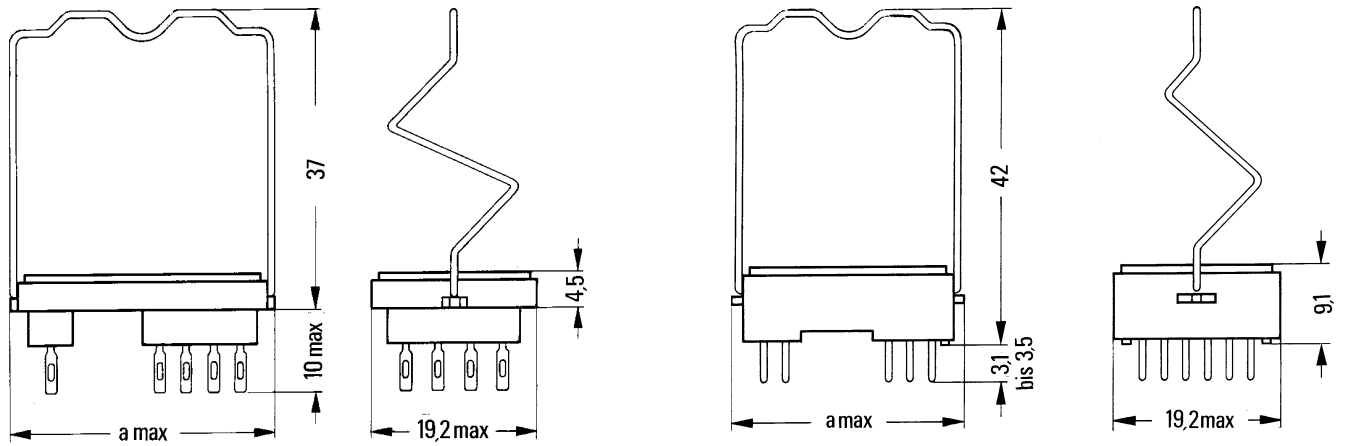
Approx. weight 6.5 g

Sockets with hand solder terminals

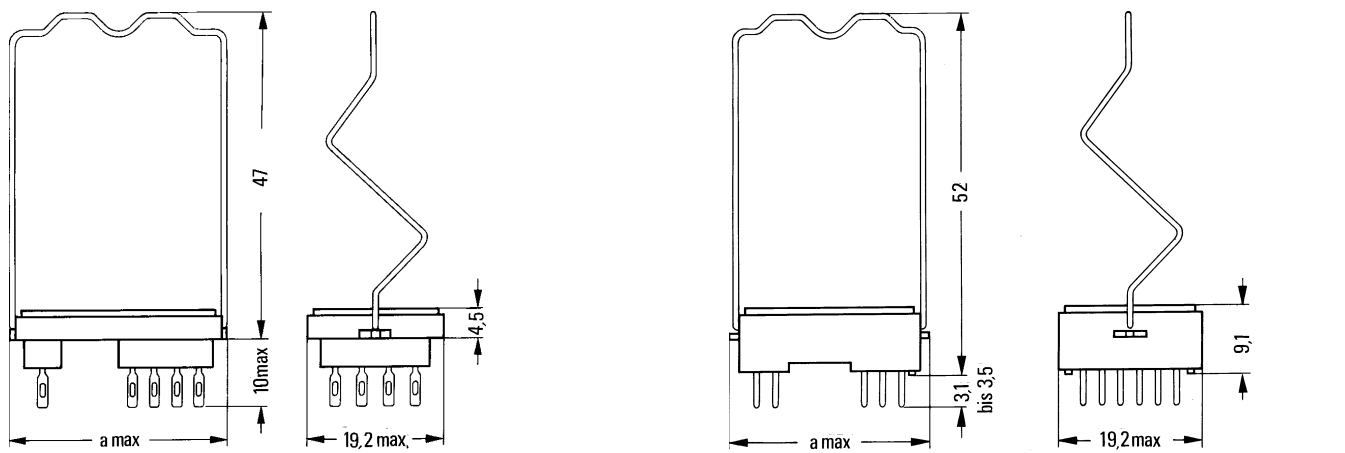
Sockets with PCB terminals

Dimension drawing (in mm)

with hold-down spring for cradle relays N, S and P



with hold-down spring for cradle relay W



| Socket | Size I | Size II | Size III |
|-------------|--------|---------|----------|
| Dimension a | 26.6 | 32.5 | 38 |

Ordering Code

| Version | Size | Ordering code | Tyco Part Number |
|---|------|---------------|------------------|
| Sockets | | | |
| for printed circuit mounting, terminals silver-plated with earth terminal | I | V23154-Z1001 | 0-1393824-1 |
| | II | V23154-Z1002 | 9-1393809-1 |
| | III | V23154-Z1028 | 1-1393824-0 |
| for solder terminals, hand solder terminals, silver-plated | I | V23154-Z1005 | 0-1393824-4 |
| | II | V23154-Z1006 | 0-1393824-5 |
| | II | V23154-Z1015 | 0-1393824-8 |
| Hold-down springs | | | |
| for cradle relays N, S and P | I | V23154-Z1021 | 0-1393824-5 |
| | II | V23154-Z1022 | 0-1393827-2 |
| | III | V23154-Z1034 | 0-1393760-2 |
| for cradle relay W | I | V23154-Z1023 | 0-1393827-3 |
| | II | V23154-Z1024 | 0-1393760-1 |

Gold plated terminals on request

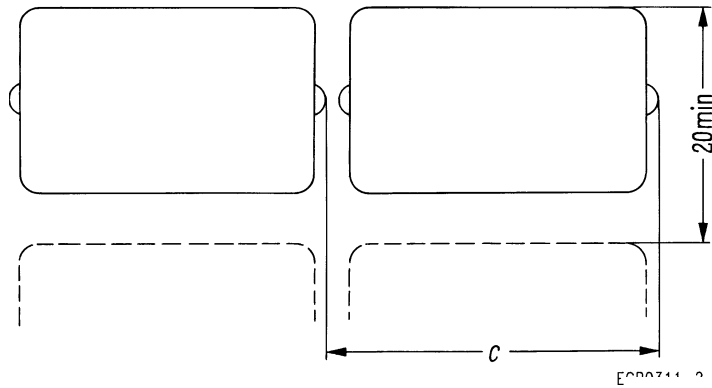
General Data

| | |
|---------------------------------------|---|
| Terminal material | CuSn8 FB 390 plated with min. 3 μm silver or min. 1 μm gold |
| Socket material with solder terminals | Phenolformaldehyde - type 31 (DIN 7708, part 2) |
| Socket material with PCB terminals | Makrolon (polycarbonate) |
| Maximum continuous current at 70° C | 5 A |

Minimum spacings between sockets

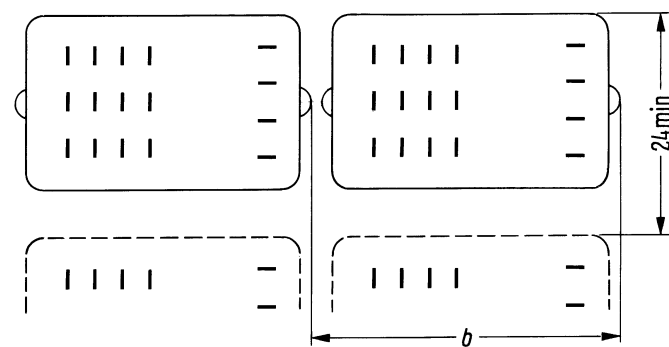
Dimension drawing (in mm)

with hold-down spring for cradle relays N, S and P



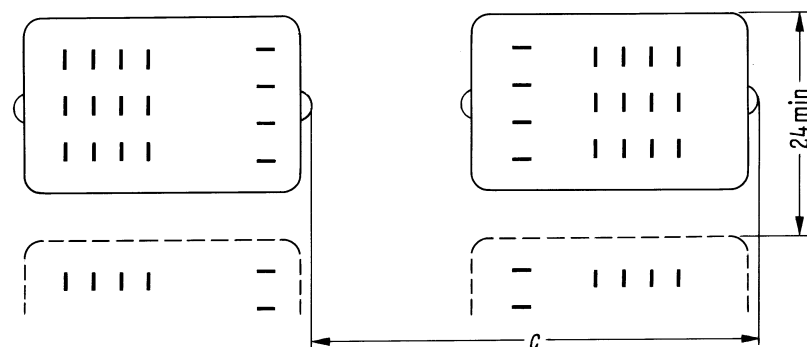
| Socket | Dimension c |
|----------|-------------|
| Size I | 27 |
| Size II | 33 |
| Size III | 39 |

for cradle relay P
Relays oriented in the same direction



| Socket | Dimension b | Dimension c |
|----------|-------------|-------------|
| Size I | 27 | 42 |
| Size II | 33 | 48 |
| Size III | 39 | 54 |

Relays oriented inversely to each other



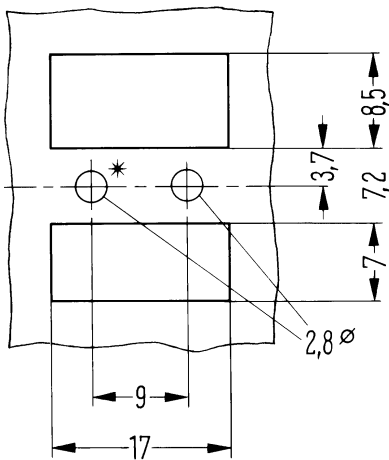
When mounting cradle relay P consideration should be given to magnetic fields. Strong DC magnetic fields, possibly caused by adjacent relays, and large iron masses are the most common causes of interference. Experience has shown that under normal operating conditions the minimum spacings specified for cradle relay P are sufficient to prevent cross interference.

Mounting hole layout for cradle relays and sockets with hand solder terminals

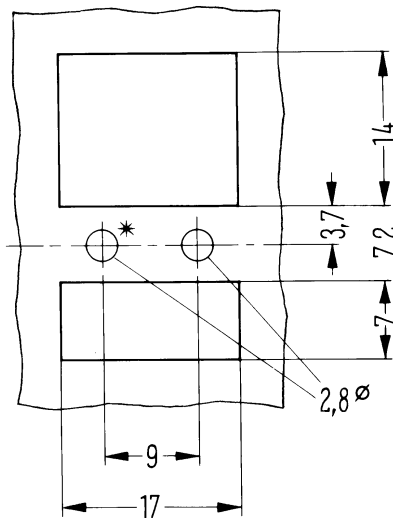
Dimension drawing (in mm)

with hold-down spring for cradle relays N, S and P

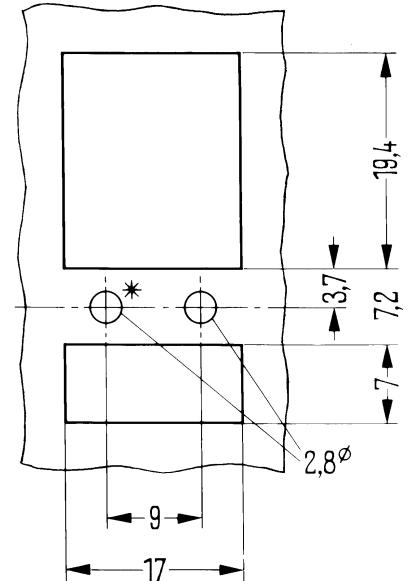
Size I



Size II

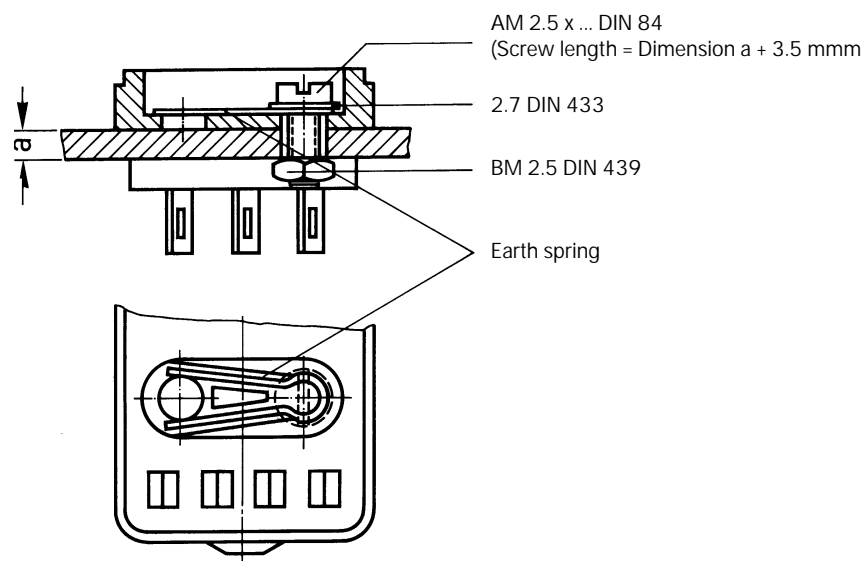


Size III



*) This hole is omitted when the mounting hole layout is intended for the socket.

Fixing of the socket

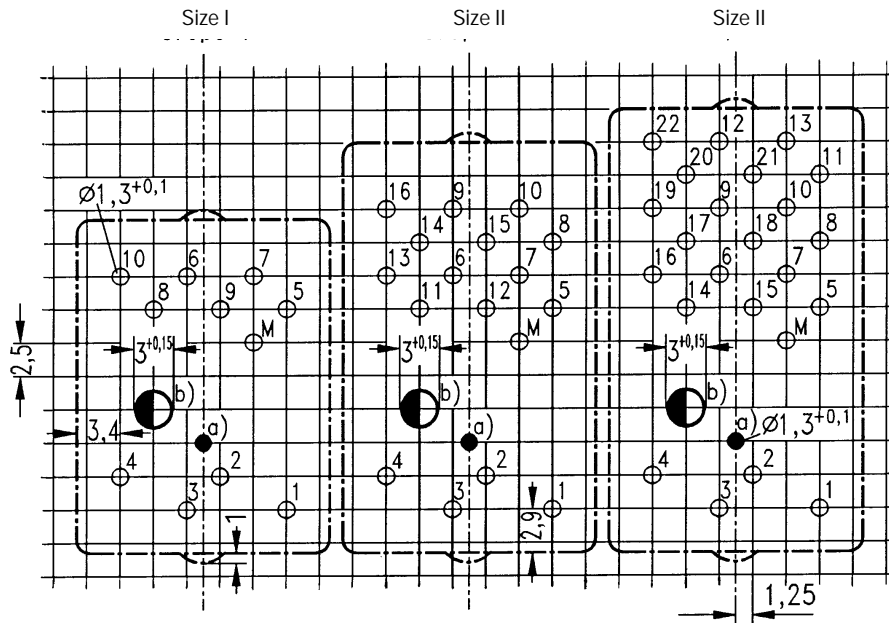


Direct mounting of relays without socket requires a fixing nut M2.5 DIN 934-m6AU.
Ordering code: D00934-A0025-S001

Mounting hole layout for sockets with PCB terminals

Basic grid 2.5 mm according to EN 60097

Dimension drawing (in mm)



View onto the terminals

M = Earth terminal

- a) Hole for mechanical armature actuation, if required
- b) Hole for the socket mounting with screw M1.6

Fixing of the socket

