



ENGLISH

Datasheet

Stock No: 499-2600

RS Pro Stainless Steel Globe Valve, 1-1/2 in BSP 32 bar



Image representative of range

Product Details

Class 200 AISI 316 Valve

RS Screwed End Globe Valves used for regulating flow in a pipeline and available in a variety of sizes.

Features:

1/4"-2" (DN8-DN50)

W.P: 200WOG

W.T: -20°C-200°C (-4°F-392°F)

Investment casting

Thread type: ASME B1.20.1 (NPT), DIN 2999 & BS21, ISO7/1 & EN10226

Materials:

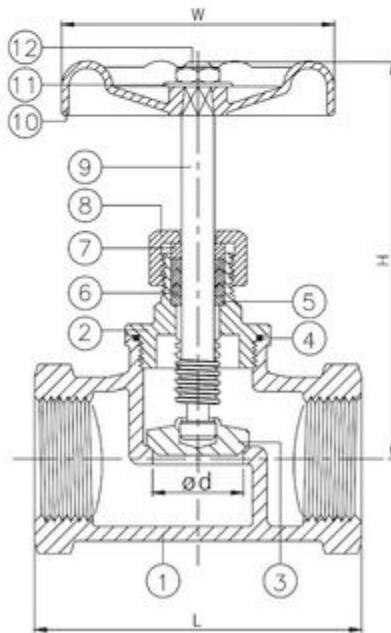
Body, Bonnet and Disc - ASTM A351-CF8M

Seal and Packing - PTFE

Washer, Gland Ring and Stem Nut - AISI 304

Cap Nut and Stem - AISI 316

Handle and Nameplate - Aluminium



mm

DN	L	H	W	d	(kg)
15	66	89.4	70	12	0.42
20	68.5	89.2	70	15	0.46
25	78.3	92.5	76.5	20	0.62
32	86	118	103.5	25	1.05
40	98	117	103.5	33	1.4
50	110.5	142	121	40	2.1

in

NPS	L	H	W	d	(lb)
1/2"	2.60	3.52	2.76	0.47	0.9
3/4"	2.70	3.51	2.76	0.59	1.0
1"	3.08	3.64	3.01	0.79	1.4
1-1/4"	3.39	4.65	4.07	0.98	2.3
1-1/2"	3.86	4.61	4.07	1.30	3.1
2"	4.35	5.59	4.76	1.57	4.6

Globe Valves-Industrial Pipeline-Valves

Specifications:

Connection	1-1/2 in BSP
Maximum Working Pressure	32 bar
Body Material	Stainless Steel
Connection Gender	Female
Thread Size	1-1/2in
Thread Standard	BSP