

Datasheet

RS Pro Wire-Wound SMD Indicator



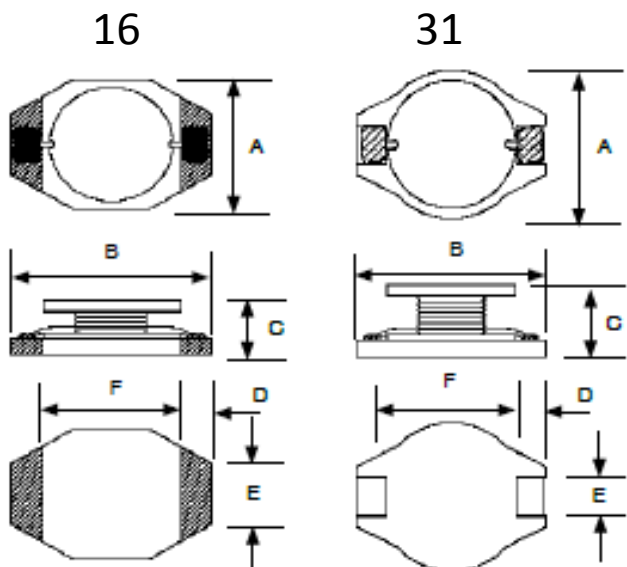
Features:

- High current, small size (up to 8.6 Amps)
- Surface mountable construction
- High inductance (up to 1000 μ H)
- Taped and reeled for automatic insertion
- For use in DC/DC converters

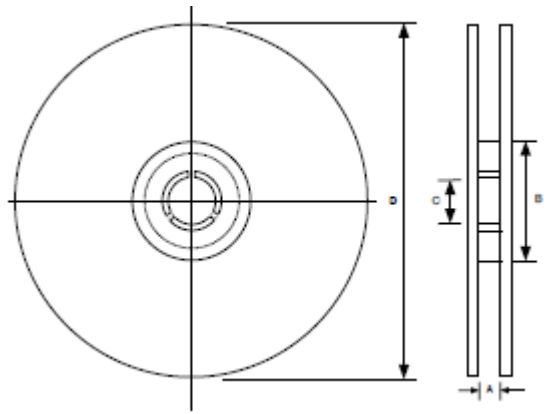
Case Size	16	31
Inductance Range	1 ~ 1000 μ H	1.0 ~ 1000 μ H
Ambient Operating Temp. Range	-40°C ~ +80°C	
Maximum Component Temp. (Ambient + Self-Heating)	+125°C	
Temperature Rise at I _{rms}	40°C max.	
Inductance Change at I _{sat}	-10% typical	
Inductance Tolerance	20% (M)	
Resistance to Solder Heat	260°C for 10 seconds	

Dimensions (mm)

Size	A	B	C	D	E	F	G (Ref)	H (Ref)	I (Ref)
16	4.45 max.	6.60 max.	2.92 max.	1.02 ± 0.2	1.27 ± 0.2	4.32 ± 0.3	4.06	3.56	1.4
31	9.30 ± 0.2	12.80 ± 0.2	5.00 ± 0.3	2.40 ± 0.2	2.50 ± 0.2	7.60 ± 0.3	7.3	2.8	3



Case Size	Taping Dimensions (mm)					
	Ao	Bo	Co	Ko	W	Po
16	6.70	4.60	4.25	3.20	12.0	8.0
31	13.50	10.00	11.50	5.60	24.0	16.0





Stock No.	Standard Values – Case Size 16 (4.45 x 6.6 x 2.92mm)					Test Frequency
	Inductance Value (μH)	SRF (Typical) MHz	DC Resistance (Ω)	DC Current I _{rms} (A)	DC Current I _{sat} (A)	
740-9221	1.0 ± 20%	130	0.05	2.9	2.9	100KHz
740-9230	1.5 ± 20%	115	0.05	2.8	2.6	
740-9233	2.2 ± 20%	90	0.07	2.4	2.3	
740-9246	4.7 ± 20%	50	0.09	1.5	1.5	
740-9243	10 ± 20%	35	0.16	1.1	1.1	
740-9268	47 ± 20%	14	0.64	0.50	0.50	
740-9265	100 ± 20%	9.0	1.27	0.30	0.31	
740-9277	220 ± 20%	5.5	3.11	0.20	0.22	
740-9280	470 ± 20%	4.0	6.78	0.15	0.16	
740-9287	1000 ± 20%	2.0	13.8	0.07	0.10	

Stock No.	Standard Values – Case Size 31 (10.0 x 12.7 x 5.0mm)					Test Frequency
	Inductance Value (μH)	SRF (Typical) MHz	DC Resistance (Ω)	DC Current I _{rms} (A)	DC Current I _{sat} (A)	
740-9296	1.0 ± 20%	150	0.009	6.8	9.0	100KHz
740-9300	6.8 ± 20%	35	0.027	4.4	4.3	
740-9319	10 ± 20%	25	0.038	3.9	3.4	
740-9312	15 ± 20%	20	0.046	3.1	3.0	
740-9316	22 ± 20%	18	0.085	2.7	2.5	
740-9325	33 ± 20%	14	0.10	2.1	2.0	
740-9322	68 ± 20%	10	0.20	1.5	1.4	
740-9331	100 ± 20%	7.0	0.28	1.3	1.1	
740-9347	330 ± 20%	4.0	1.02	0.6	0.6	
740-9340	470 ± 20%	3.0	1.27	0.5	0.5	
740-9353	1000 ± 20%	2.0	3.00	0.3	0.3	