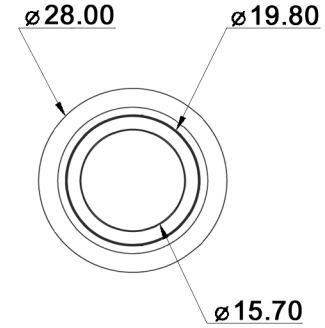
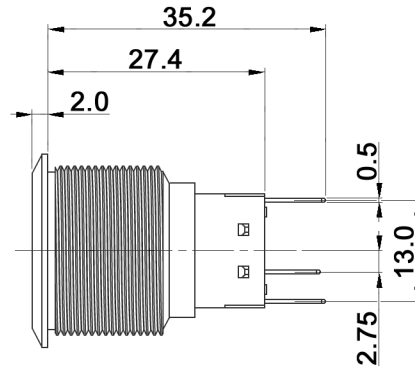
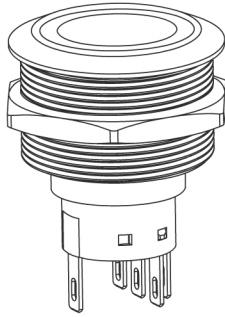
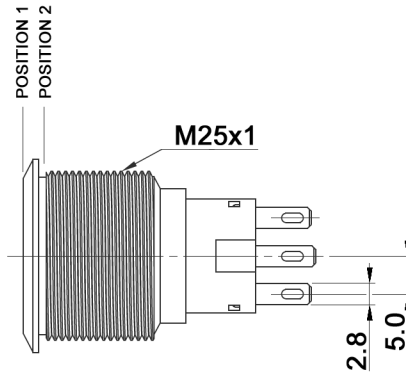
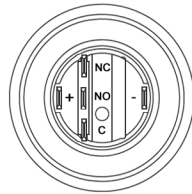
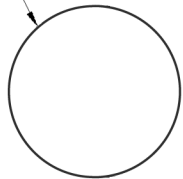


ASSEMBLED VIEW



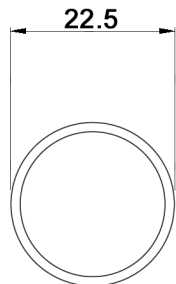
PANEL CUT-OUT

∅25.00

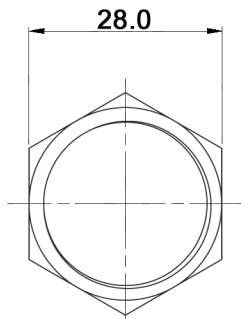


MAX. PANEL THICKNESS: 10mm

HARDWARE:

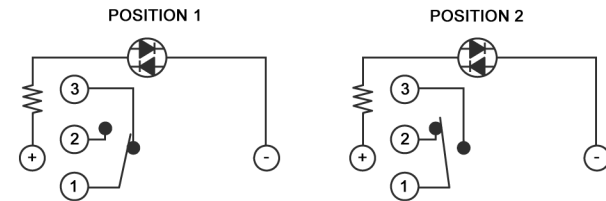


O-RING



HEX NUT

SCHEMATIC



Compliance: RohS II (2011/65/EU)

Tolerances: 0.00: ±0.25mm 0.0: ±0.40mm		Date 09/15	Name dr	<h1>MAV25A0F10E-312-JQ</h1>
Specifications	03/16	dr	<h2>knitter-switch</h2> <h1>30 34 40</h1>	
Modifications	Date	Name		
				Page 1/2

Specifications:

Contact rating: 3A, 250V AC; 3A, 28V DC
Contact resistance: 50mOhm max. at 1A, 12V DC
Insulation resistance: 1000MOhm min. at 500V DC
Dielectric strength: 2000V RMS
Operating temperature: -20°C to +55°C
Mechanical life: 1 000 000 cycles
Electrical life: 50 000 cycles (make and break cycles at full load); 6000 cycles DC
Operating force: 2.5 +/-1N
Switching function: momentary
Travel: 3.2mm
Torque: 5-14Nm
IP protection: IP67
IK class: IK10
LED color: red
LED voltage: 12V AC
Material: Bushing: stainless steel
 Base: PBT (UL94V-0), PC (UL94V-2)
 Actuator: PC, stainless steel
 Inner assembly: POM, PA66
 Spring: steel
 O-ring: silicone
 Terminal / contact: copper, silver plated
 Hex nut: brass, nickel plated

Compliance: RohS II (2011/65/EU)

Tolerances: 0.00: ±0.25mm 0.0: ±0.40mm		Date	Name	MAV25A0F10E-312-JQ
		09/15	dr	
			knitter-switch	30 34 40
				Page
				2/2
Modifications	Date	Name		