

## Type 2 surge protection plug - VAL-SEC-T2-N/PE-175-P - 2905356

Please be informed that the data shown in this PDF Document is generated from our Online Catalog. Please find the complete data in the user's documentation. Our General Terms of Use for Downloads are valid (<http://phoenixcontact.com/download>)




Replacement plug for surge arresters from the VALVETRAB SEC product range for the N-PE path.

### Your advantages

- ✓ High-performance gas-filled surge arrester for N/PE protection
- ✓ Extremely narrow design, just 12 mm per position
- ✓ High continuous voltage of 175 V AC for 120 V AC networks
- ✓ Pluggable
- ✓ Low voltage protection level of 0.95 kV
- ✓ Optical, mechanical status indicator
- ✓ Plugs can be checked with CHECKMASTER 2



### Key Commercial Data

Packing unit	1 pc
GTIN	 4 046356 948227
GTIN	4046356948227
Weight per Piece (excluding packing)	49.300 g
Custom tariff number	85363030
Country of origin	Germany
Note	Made to Order (non-returnable)

### Technical data

#### Dimensions

Height	46.4 mm
Width	11.7 mm
Depth	59.4 mm
Horizontal pitch	0.6 Div.

# Type 2 surge protection plug - VAL-SEC-T2-N/PE-175-P - 2905356

## Technical data

### Ambient conditions

Degree of protection	IP20
Ambient temperature (operation)	-40 °C ... 80 °C
Ambient temperature (storage/transport)	-40 °C ... 80 °C
Altitude	≤ 2000 m (amsl (above mean sea level))
Permissible humidity (operation)	5 % ... 95 %
Shock (operation)	30g (Half-sine / 11 ms / 3x ±X, ±Y, ±Z)
Vibration (operation)	5g (10 ... 500 Hz / 2.5 h / X, Y, Z)

### General

IEC test classification	II
	T2
EN type	T2
IEC power supply system	TN
	TT
Mode of protection	N-PE
Mounting type	on base element
Color	light grey RAL 7035
Housing material	PA 6.6-FR 20 % GF
	PBT-FR
Degree of pollution	2
Flammability rating according to UL 94	V-0
Type	Male
Number of positions	1
Surge protection fault message	optical

### Protective circuit

Nominal voltage $U_N$	120 V AC (TN - only N-PE)
	120 V AC (TT - only N-PE)
Nominal frequency $f_N$	50 Hz (60 Hz)
Maximum continuous voltage $U_C$	150 V AC
Residual current $I_{PE}$	≤ 1 μA
Nominal discharge current $I_n$ (8/20) μs	20 kA
Maximum discharge current $I_{max}$ (8/20) μs	40 kA
Follow current interrupt rating $I_{fi}$	100 A (150 V AC)
Voltage protection level $U_p$	≤ 0.95 kV
Residual voltage $U_{res}$	≤ 0.4 kV (at $I_n$ )
	≤ 0.4 kV (at 10 kA)
	≤ 0.4 kV (at 5 kA)
	≤ 0.4 kV (at 4 kA)
	≤ 0.4 kV (at 2 kA)
Front of wave sparkover voltage at 6 kV (1.2/50) μs	≤ 0.95 kV

## Type 2 surge protection plug - VAL-SEC-T2-N/PE-175-P - 2905356

### Technical data

#### Protective circuit

TOV behavior at $U_T$	1200 V AC (200 ms / withstand mode)
Response time $t_A$	$\leq 100$ ns

#### Connection data

Connection method	pluggable
-------------------	-----------

#### UL specifications

SPD Type	4CA
Maximum continuous operating voltage MCOV (N-G)	150 V AC
Mode of protection	N-G
Power distribution system	Single phase
Nominal frequency	50/60 Hz
Measured limiting voltage MLV (N-G)	560 V
Nominal discharge current $I_n$ (N-G)	20 kA

#### Standards and Regulations

Standards/regulations	IEC 61643-11 2011
	EN 61643-11 2012

### Drawings

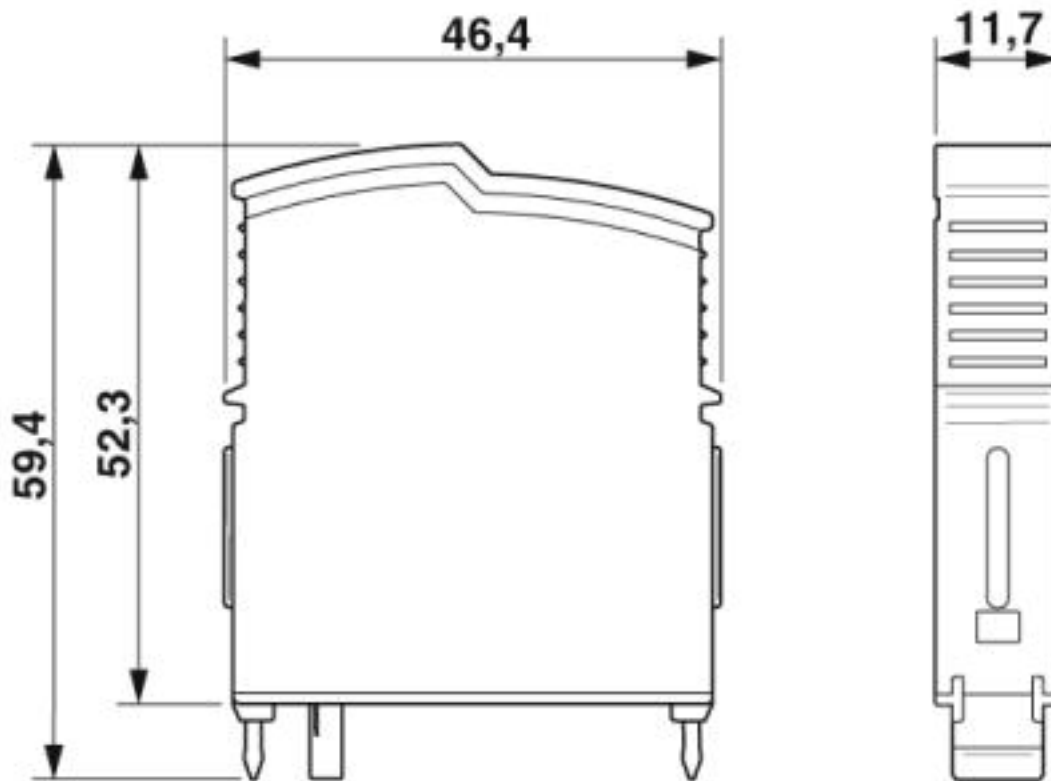
# Type 2 surge protection plug - VAL-SEC-T2-N/PE-175-P - 2905356

Circuit diagram



## Type 2 surge protection plug - VAL-SEC-T2-N/PE-175-P - 2905356

Dimensional drawing



### Classifications

#### eCl@ss

eCl@ss 10.0.1	27130890
eCl@ss 4.0	27130800
eCl@ss 4.1	27130800
eCl@ss 5.0	27130800
eCl@ss 5.1	27130800
eCl@ss 6.0	27130800
eCl@ss 7.0	27130805
eCl@ss 8.0	27130890
eCl@ss 9.0	27130890

#### ETIM

ETIM 5.0	EC002496
ETIM 6.0	EC000941
ETIM 7.0	EC000941

#### UNSPSC

UNSPSC 13.2	39121620
UNSPSC 18.0	39121620

# Type 2 surge protection plug - VAL-SEC-T2-N/PE-175-P - 2905356

## Classifications

### UNSPSC

UNSPSC 19.0	39121620
UNSPSC 20.0	39121620
UNSPSC 21.0	39121620

## Approvals

### Approvals

#### Approvals

DNV GL / CCA / UL Recognized / KEMA-KEUR / cUL Recognized / IECEE CB Scheme / EAC / cULus Recognized

#### Ex Approvals

### Approval details

DNV GL		<a href="https://approvalfinder.dnvgl.com/">https://approvalfinder.dnvgl.com/</a>	TAE000023D
--------	--	---	------------

CCA			NTR-NL 7347
-----	--	--	-------------

UL Recognized		<a href="http://database.ul.com/cgi-bin/XYV/template/LISEXT/1FRAME/index.htm">http://database.ul.com/cgi-bin/XYV/template/LISEXT/1FRAME/index.htm</a>	FILE E 330181
---------------	--	---	---------------

KEMA-KEUR		<a href="http://www.dekra-certification.com">http://www.dekra-certification.com</a>	2196453.01
-----------	--	---	------------

cUL Recognized		<a href="http://database.ul.com/cgi-bin/XYV/template/LISEXT/1FRAME/index.htm">http://database.ul.com/cgi-bin/XYV/template/LISEXT/1FRAME/index.htm</a>	FILE E 330181
----------------	--	---	---------------

IECEE CB Scheme		<a href="http://www.iecee.org/">http://www.iecee.org/</a>	NL-34356
-----------------	--	---	----------

EAC			RU C- DE.A*30.B01561
-----	--	--	-------------------------

## Type 2 surge protection plug - VAL-SEC-T2-N/PE-175-P - 2905356

### Approvals

cULus Recognized



### Accessories

#### Accessories

#### Device marking

Label - EML (20XE)R - 0803452



Label, Roll, white, unlabeled, can be labeled with: THERMOMARK ROLLMASTER 300/600, THERMOMARK X1.2, THERMOMARK ROLL X1, THERMOMARK ROLL 2.0, THERMOMARK ROLL, mounting type: adhesive, lettering field size: continuous x 20 mm

Label - EML (20XE)R YE - 0803453



Label, Roll, yellow, unlabeled, can be labeled with: THERMOMARK ROLLMASTER 300/600, THERMOMARK X1.2, THERMOMARK ROLL X1, THERMOMARK ROLL 2.0, THERMOMARK ROLL, mounting type: adhesive, lettering field size: continuous x 20 mm

#### Marker pen

Marker pen - B-STIFT - 1051993



Marker pen, for manual labeling of unprinted Zack strips, smear-proof and waterproof, line thickness 0.5 mm