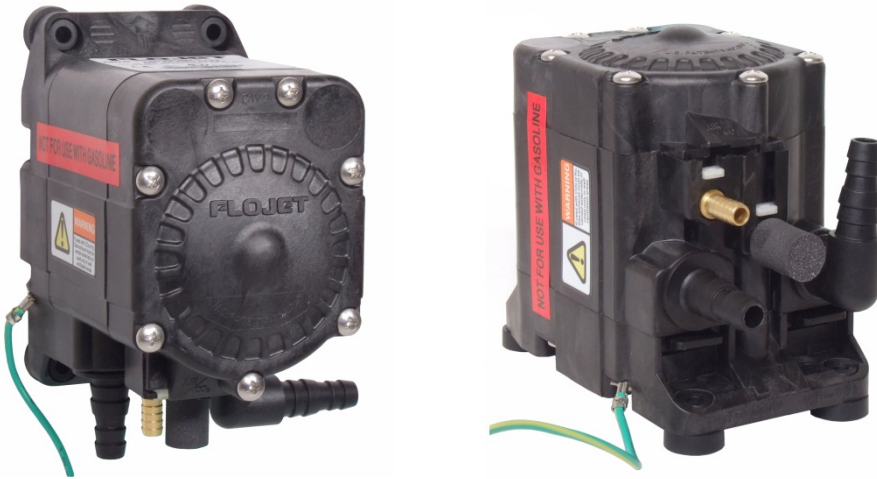


FLOJET®

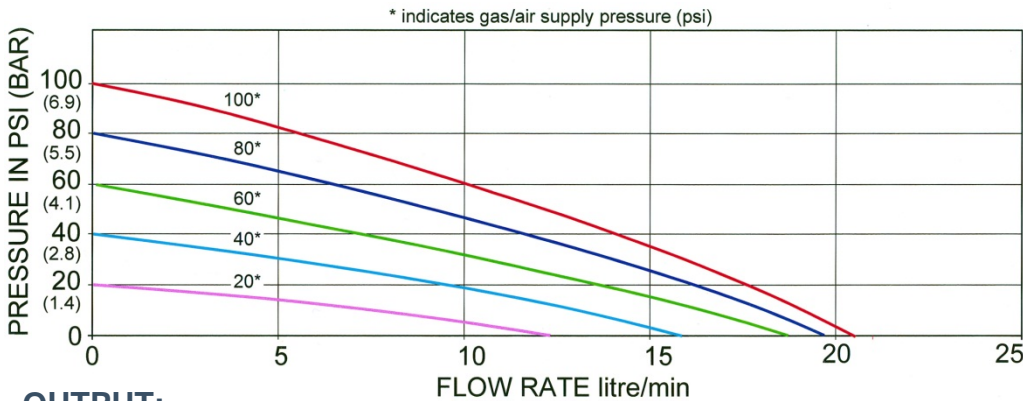
G70C^{ATEX} SERIES

Air Operated Diaphragm Pump

- ◆ Capable of Air or CO₂ drive pressures up to 100PSI (6.9bar)
- ◆ Run dry capability
- ◆ Fluid temperature range up to 49°C (120°F)
- ◆ Patented Shuttle Valve, eliminates stalling
- ◆ Capable of passing solids up to 3.2mm in diameter.
- ◆ Corrosion resistant materials capable of handling a wide range of chemicals
- ◆ Other elastomers available
- ◆ Ease of Installation with all quick disconnect ports



Working position



OUTPUT:

Self primes up to 4.5m
Flow rates up to 21 litres/minute (4.6 gallons/minute).

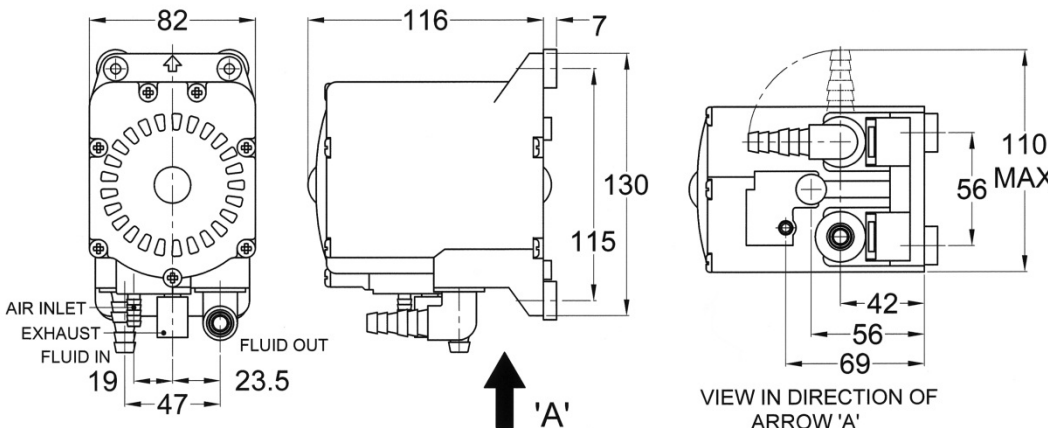
MATERIALS OF CONSTRUCTION:

Pump head: Polypropylene
Springs: Hastelloy®
Check valve seals: Viton Extreme®
Diaphragm: Kalrez® (*Kalrez is not suitable for Halogenated Solvents*)



MODEL	AIR/GAS INLET PORT:	LIQUID PORTS
G70C162A	6mm (1/4" hose)	1 x 9 - 13mm (3/8 - 1/2") 90° hose barb & 1 x 9 - 13mm (3/8 - 1/2") straight hose barb
G70C202A	6mm (1/4" hose)	2 x 9 - 13mm (3/8 - 1/2") straight hose barb

WEIGHT: 0.54 Kg



DO NOT PUMP GASOLINE OR FLAMMABLE LIQUIDS WITH A FLASH POINT BELOW 37°C (98°F)

Cleghorn Waring
Icknield Way
Letchworth Garden City
Hertfordshire • SG6 1EZ UK

Tel: +44 (0)1462 480380
Fax: +44 (0)1462 482422
mail@cleghorn.co.uk
www.cleghorn.co.uk

xylem
Let's Solve Water