

# Temperature sensors

- Built-in converter : 0-10 V DC output
- Applications : Industrial and domestic



## Specifications

Type	Range	Accuracy	Protection casing	Protection probe	Code
Zone	-10 → +40 °C	-0.2 °C +1.2 °C	IP30		89 750 150
Ventilation duct	-10 → +60 °C	-0.2 °C +1.9 °C	IP65	IP30	89 750 151
Outdoor	-10 → +40 °C	-0.2 °C +1.2 °C	IP65		89 750 152
Remote/submersible probe	-10 → +150 °C	-0.2 °C +1.2 °C	IP65	IP67	89 750 153
	-40 → +20 °C	-0.2 °C +1.9 °C	IP65	IP67	89 750 155

## Accessories

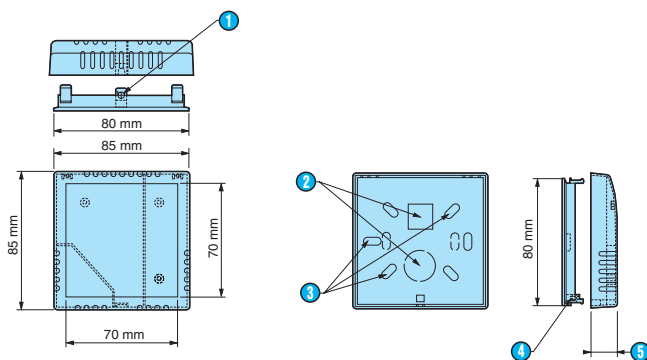
Accessories	Operating temperature (°C)	Operating pressure (bar)	Code
Copper protective sleeve	-20 → +100	10	89 750 146
Stainless steel (316) protective sleeve	-20 → +400	16	89 750 147
Heat transfer compound	-	-	18 373 112

## General characteristics

Supply voltage	24 V DC (±10 %)
Output	0 → 10 VDC
Temperature coefficients Derating	0.01 % / °C of full scale
Temperature coefficients Offset	1.5 mV / °C
Ambient temperature (°C)	-10 → +60
Ambient humidity	5 → 95 % RH
Material housing	Self-extinguishing

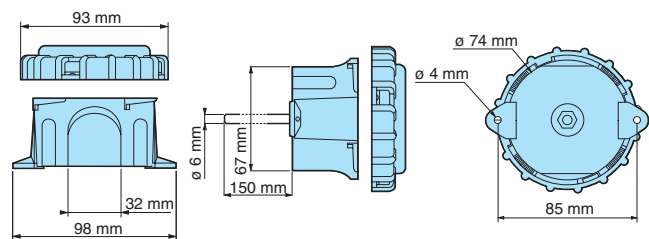
## Dimensions

89 750 150

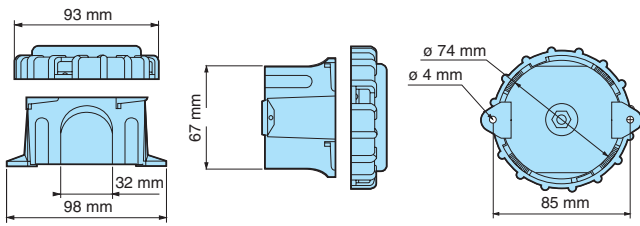


- 1 Ø3 mm for screw M3 x 8
- 2 Cut-outs
- 3 Fixing holes
- 4 Bolt hole M3
- 5 Maximum thickness 26 mm

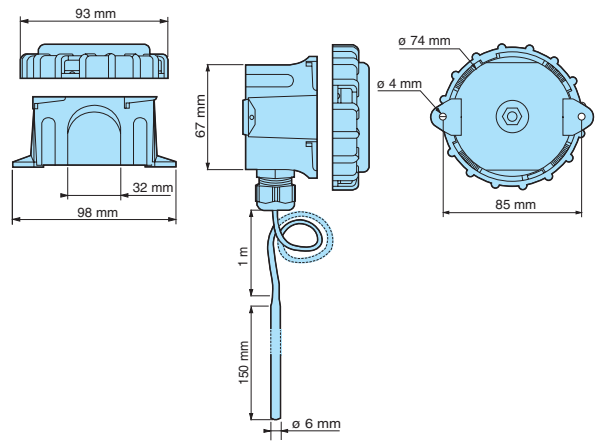
89 750 151



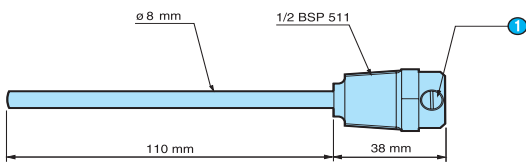
89 750 152



89 750 153 and 89 750 155



Accessories for 89 750 153 and 89 750 155



1 Screw M4