



## P Series

One piece metal shell panel receptacle with large solder cups. The insert is non-removable. The "P" Series is front mountable only and the male and female have different mounting dimensions.

Part drawings are available courtesy of [www.Neutrik.com](http://www.Neutrik.com). For additional drawings, please contact [NeutrikUSA](http://NeutrikUSA).

ORDERING INFORMATION "P" Series Male			
# of Contacts	Nickel Shell	Black Chrome Shell	
	Silver contacts	Silver Contacts	Gold Contacts
3	NC3MP	NC3MP-BAG	NC3MP-B
4	NC4MP	NC4MP-BAG	NC4MP-B
5	NC5MP	NC5MP-BAG	NC5MP-B
6	NC6MP	NC6MP-BAG	NC6MP-B

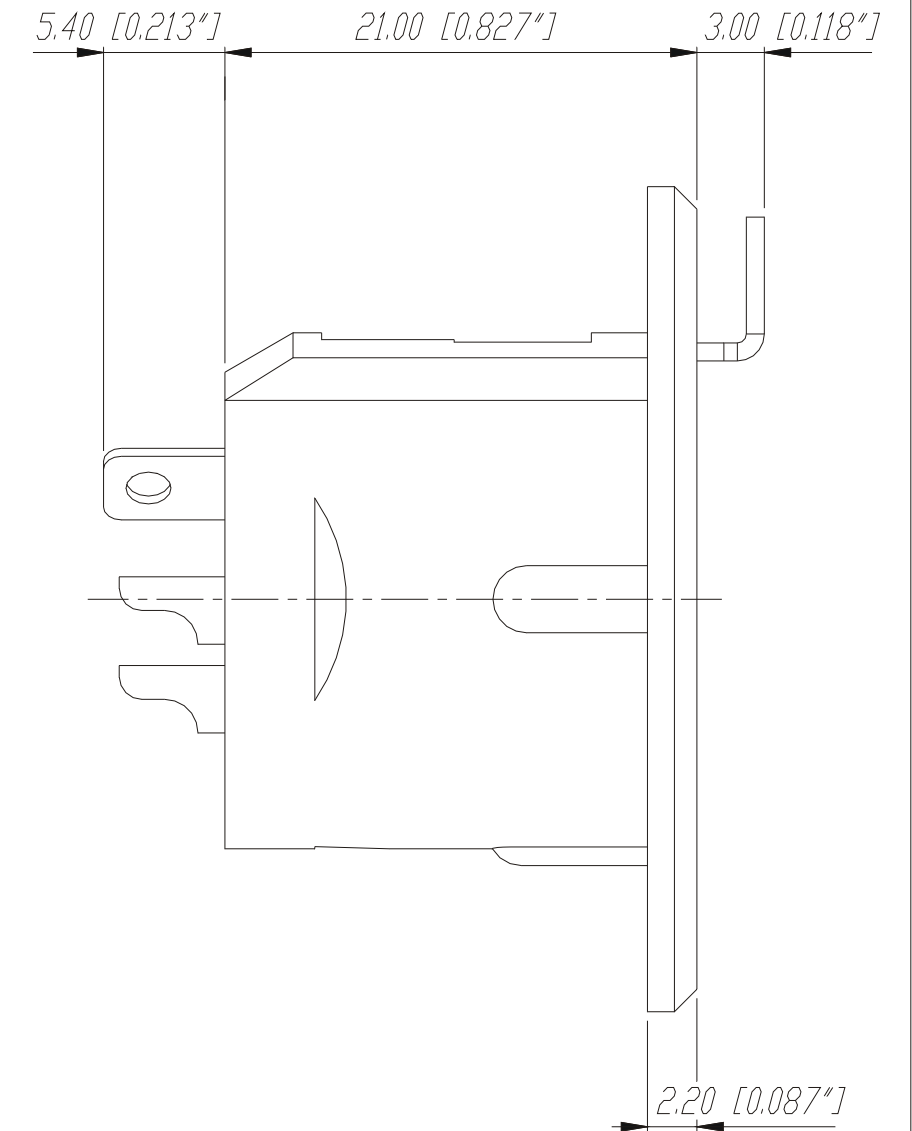
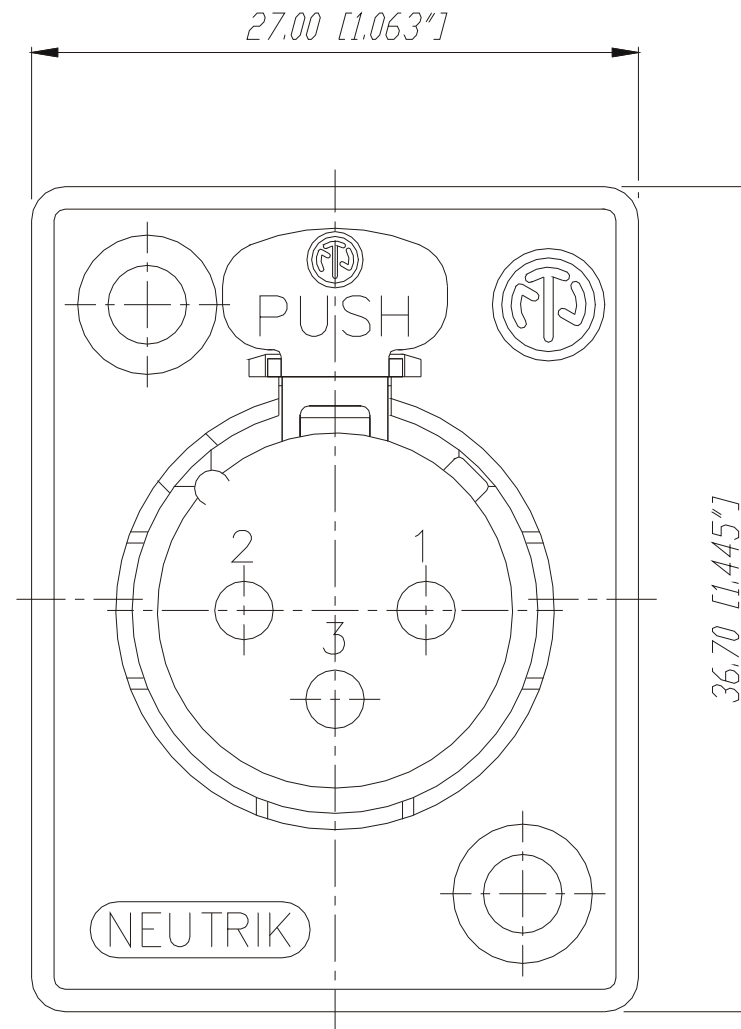
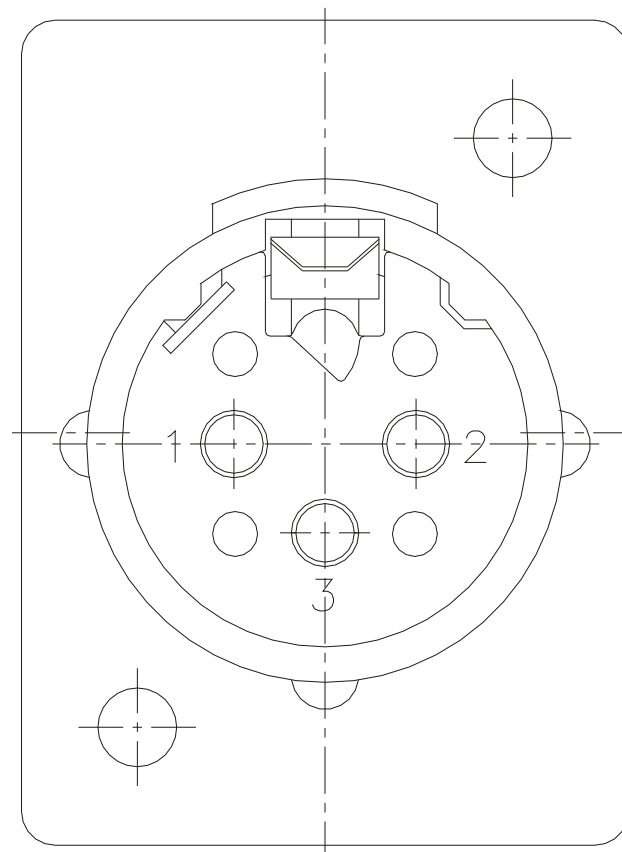
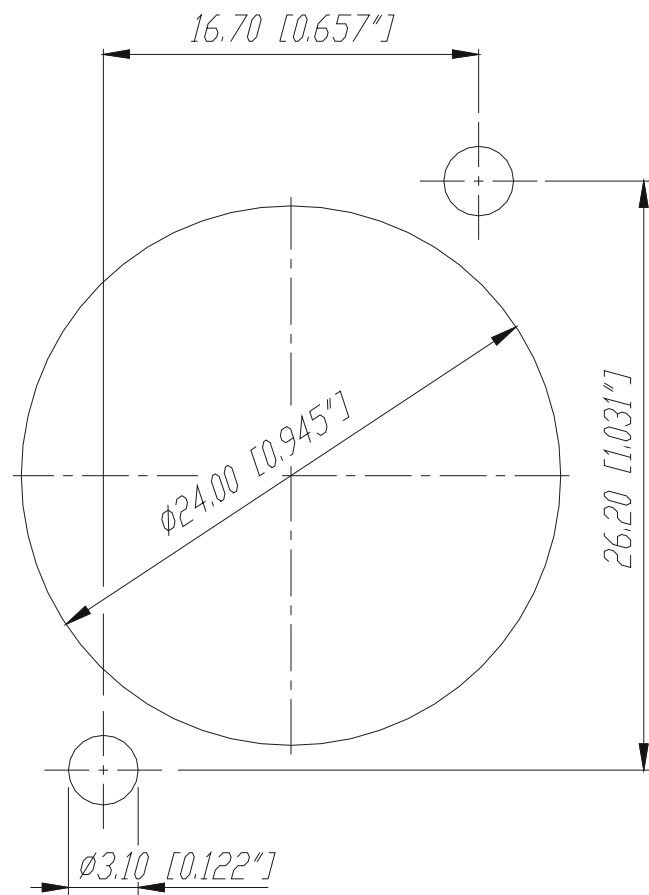
Male "P" Series not available in 6 pin Switchcraft equivalent or 7 pin configurations

ORDERING INFORMATION "P" Series Female			
# of Contacts	Nickel Shell	Black Chrome Shell	
	Silver contacts	Silver Contacts	Gold Contacts
3	NC3FP	NC3FP-1-BAG	NC3FP-1-B
4	NC4FP	NC4FP-1-BAG	NC4FP-1-B
5	NC5FP	NC5FP-1-BAG	NC5FP-1-B
6	NC6FP-1	NC6FP-1-BAG	NC6FP-1-B
6*	NC6FPS-1	NC6FPS-1-BAG	NC6FPS-1-B
7	NC7FP-1	N/A	NC7FP-1-B

\*Switchcraft© equivalent

Frontplattenausschnitt (Rückseite)

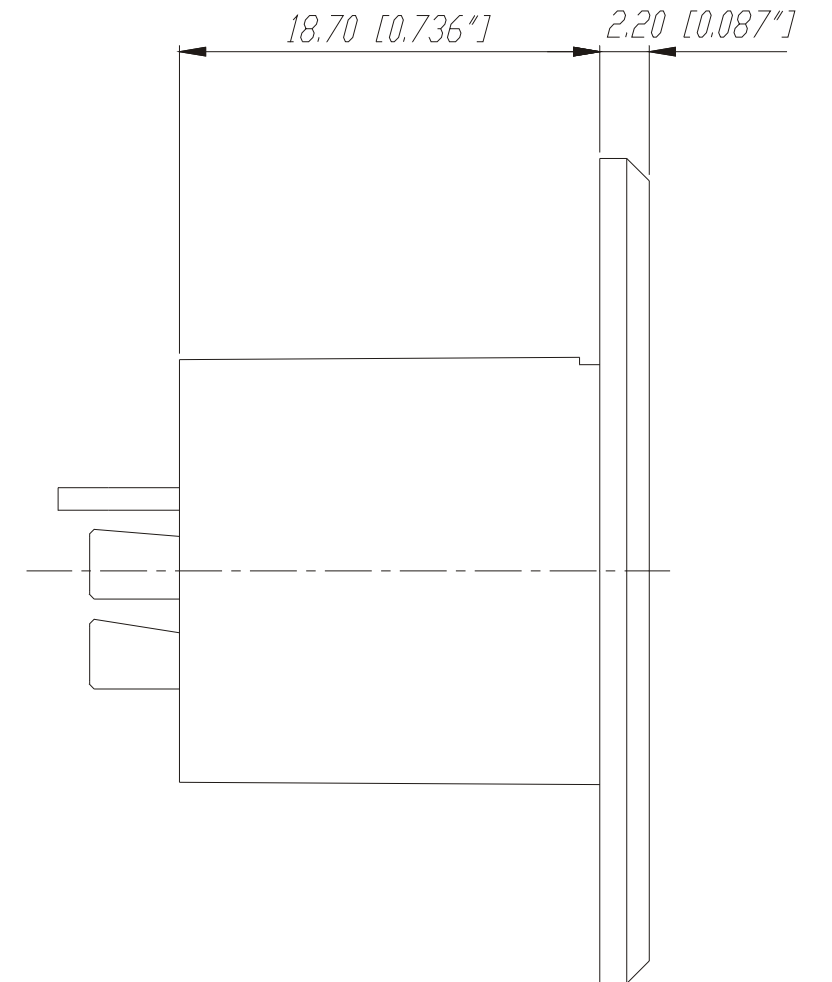
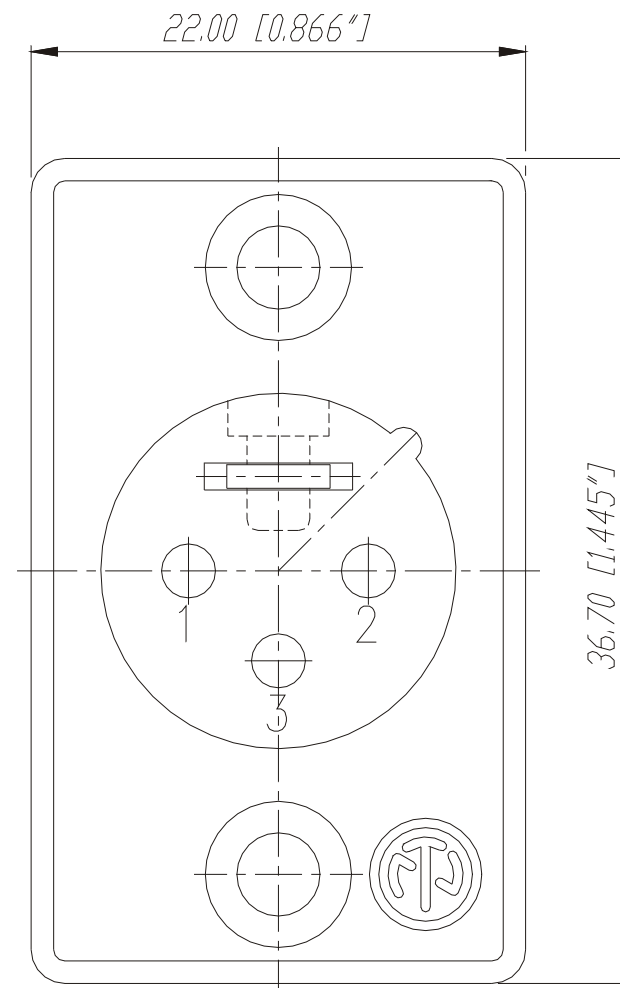
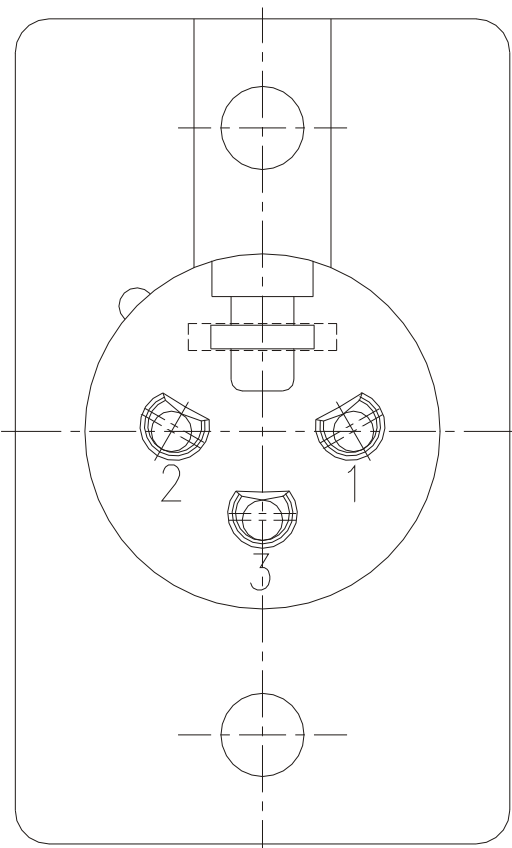
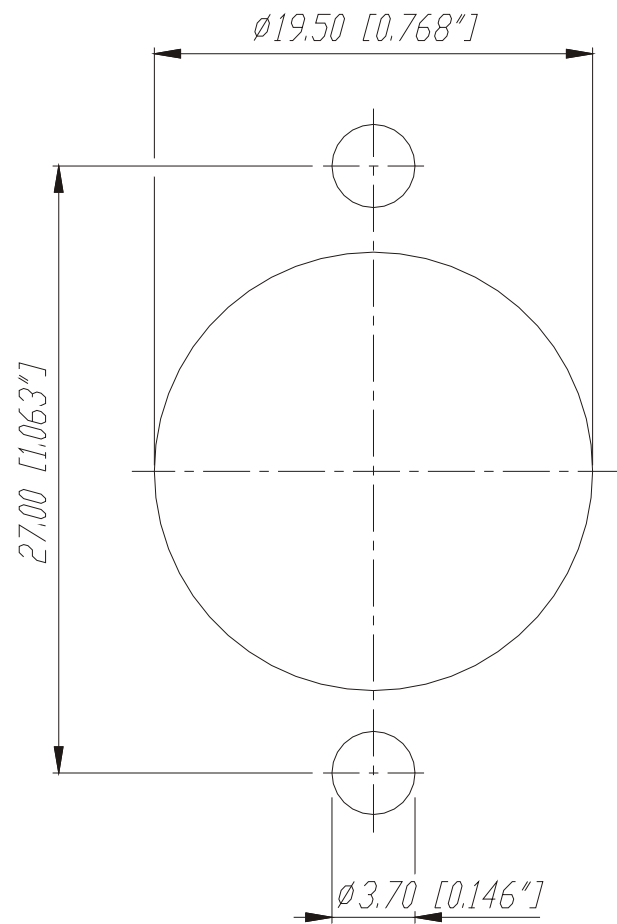
Panel cut out (rear side)



Ind.	Aenderung	Datum	Name	Werkstoff:	Masstab:	Gezeichnet	Datum	Name
				*Lieferant darf ohne Rucksprache nicht geaendert werden	3:1	06.07.89	06.07.89	Martinek
				Zeichnung urheberrechtlich geschuetzt (DIN 34) (C)				
				Benennung:				Blatt
					NC3FP-1			von Blatt
A	Aktuelle Zeichnung	24.03.98	Alin jak					
				<b>NEUTRIK AG</b> FL-9494 SCHAAN				Zeichn. Nr. 3102 St 11 05

Frontplattenausschnitt (Rückseite)

Panel cut out (rear side)



Ind.	Aenderung	Datum	Name	Benennung:	Werkstoff:	Massstab:	Gezeichnet	Datum	Name	
				*Lieferant darf ohne Rucksprache nicht geaendert werden Zeichnung urheberrechtlich geschuetzt (DIN 34) (C)		3:1		26.04.88	Martinek	
									Blatt	
									von Blatt	
A	Aktuelle Zeichnung	24.03.98	Alinjak	NC3MP						
				<b>NEUTRIK AG</b> FL-9494 SCHAAN						
							Zeichn. Nr.	3102	St 11 03	

Specifications - XLR Cable Connectors								
Electrical		X Series	X-1 Series	RC Series	X-HD Series	FX-S Series	FZ-L Series	FX-Spec Series
Number of contacts:	3-7	X	3 only	X	3	3 only	3 only	3 only
Rated Current:	<i>see table below</i>	X	X	X	X	X	6A	X
Contact resistance:	< 3 mΩ	X	X	X	X	X	X	X
Insulation resistance initial:	>2·10 <sup>9</sup> mΩ	X	X	X	X	X	X	X
Insulation resistance after damp heat test:	>1.10 <sup>9</sup> mΩ	X	X	X	X	X	X	X
Dielectric strength:	1500 V dc	X	X	X	X	X	X	X
Mechanical		X Series	X-1 Series	RC Series	X-HD Series	FX-S Series	FZ-L Series	FX-Spec Series
Insertion/withdrawal force:	≤ 20N	X	X	X	X	X	X	X
Max. Wire Size:	<i>see table below</i>	X	X	X	X	X	X	X
Cable O.D. range:	3.5mm - 8.0mm	X	4mm - 7mm	4mm - 7mm	X	X	5mm - 6.7mm	X
Environmental		X Series	X-1 Series	RC Series	X-HD Series	FX-S Series	FZ-L Series	FX-Spec Series
Temperature range:	-30°C to +80°C	X	X	X	X	X	X	X
Flammability:	UL 94HB	X	X	X	X	X	X	X
Solderability:	Complies with IEC 68-2-20	X	X	X	X	X	X	X
Protection Class :		N/A	N/A	N/A	IP65	N/A	N/A	N/A
Materials		X Series	X-1 Series	RC Series	X-HD Series	FX-S Series	FZ-L Series	FX-Spec Series
Shell:	ZnAl4Cu1, black Chrome over Cu plating	X	X	X	X	X	X	Black Cr. Only
Cover:	EPDM (natural rubber)	N/A	N/A	N/A	N/A	N/A	X	N/A
Insert:	PA 6.6 30% GR (glass reinforced)	X	X	X	X	X	X	X

Locking Ring :	ZnAl4Cu1, gal Ni or black Chrome over Cu plating	N/A	N/A	N/A	N/A	N/A	X	Black Cr.
Contacts:	female (3 pole) CuSn6	X	X	X	X	X	X	N/A
Contacts:	female (4-7 pole) & male CuZn 39P63	X	X	X	X	N/A	N/A	N/A
Contact surface:	gal 0.3 $\mu$ m Au hard alloy over 2 $\mu$ m Ni	X	X	X	X	X	gal 0.1 $\mu$ m AuCo hard alloy over 2 $\mu$ m Ni15 (Tribor)	Silver only
Latch lock:	St3K32 (latch)/CK 67 (spring)	X	X	X	X	X	X	X
Strain relief clamp:	POM	X	X	X	X	X	X	X
Antikink boot:	PUR	X	X	X	PUR	X	EPDM	X

XLR Rated Current			
X	1[A]	{mm <sup>2</sup> /AWG}	C[pF]
3	16	2.5/14	$\leq 4$
4	10	1.5/16	$\leq 7$
5	7.5	1.0/18	$\leq 7$
6	7.5	1.0/18	$\leq 7$
7	5	1.0/18	$\leq 9$

Part drawings are available courtesy of [www.neutrik.com](http://www.neutrik.com). For additional drawings, please contact [NeutrikUSA](mailto:NeutrikUSA).