

TE CONNECTIVITY CABLE ENTRY PLATE

Designed for standard industrial applications.



CABLE ENTRY PLATE

The cable entry plate for connectorized/non-connectorized cables is a cable management component designed to help pre-terminated cables (cables with connectors already attached) to pass through an enclosure wall or panel while maintaining its ingress protection rating (IP rating) and providing strain relief and provide minimize cable entry solution.



Benefits

- Speeds up installation by up to 50%, help in ensuring less downtime and faster time-to-market
- Consistent quality = less errors/rework
- Flexible and scalable—adapts quickly for future upgrades and reduces downtime during changes or expansion
- Reduces cable congestion, improves maintenance access, and supports better cooling, lowering operating costs
- Extends cable life and helps ensure performance, especially in tough environments, reducing long-term costs
- Miniaturization: Enhances cable density for more connections per rack, saving valuable space
- Tool-free assembly makes setup easy, reliable, and cost-effective
- Works seamlessly for global markets without supplier changes (product with global certification)
- Offers high safety and strong strain relief options (by adding a cable tie) where needed

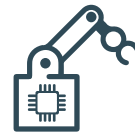
Feature

- Insert cable with connector (Pre-terminated connector)
- Modular design
- Integrated cable management
- Durable construction
- Compact footprint
- Tool-less installation options
- UL compliance
- V0
- High strain relief

Standard Cable Entry Plates

- Designed for standard industrial applications as an alternative to conventional cable glands, these cable entry plates are highly suitable when enclosure space is limited.
- The cable entry plates provide an economical solution for high-density cable routing and are suitable for both connectorised and non connectorised cables.
- Material:
 - Frames & Plugs: PA 6.6
 - Grommets: TPE material
 - Screw/Nut: Stainless Steel
- Ingress Protection Rating: IP66
- UL Listed (E547050), UL Type rating 4X indoor use only

Applications



Robotics



Data centers



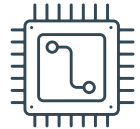
Warehouse automation



HVAC



Control cabinet



Semiconductor manufacturing equipment

Mechanical

- Operating temperature $-40\text{ }^{\circ}\text{C}$ to $+100\text{ }^{\circ}\text{C}$
- IP66
- Can take wire from 3 mm to 33 mm

Materials

- Flammability Rating: UL94 V0
- Frame made from glass fibre reinforced polyamide
- Grommets made of TPE
- Black color

Standards

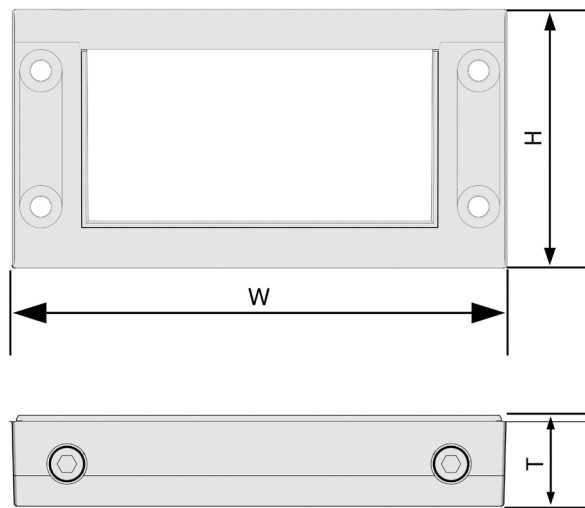
- UL Listed certification 

Specifications

- RoHS-certified 

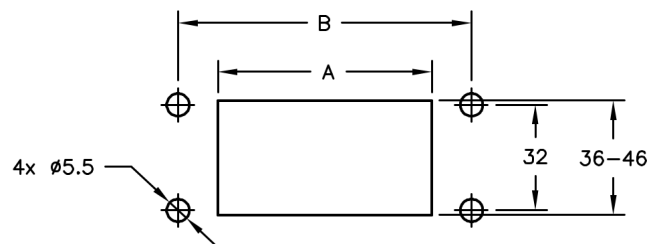
Technical spec - Frames

TE PN	TE Description	Material	Color	W Width (mm)	H Height (mm)	T Depth (mm)	Max. No of grommets	Packaging Quantity
2499690-1	CEP,FRAME,PA,4,BLK	PA 6.6	Black	72,8	61	20	4	10
2499690-2	CEP,FRAME,PA,10,BLK	PA 6.6	Black	96,5	61	20	6	10
2499690-3	CEP,FRAME,PA,16,BLK	PA 6.6	Black	116,5	61	20	8	10
2499690-4	CEP,FRAME,PA,24,BLK	PA 6.6	Black	143,5	61	20	10	10



Cut-out dimension

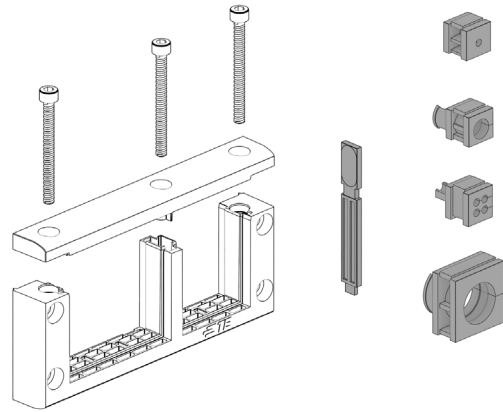
CUT-OUT DIMENSIONS/DRILLING PATTERN



Technical spec - Frames

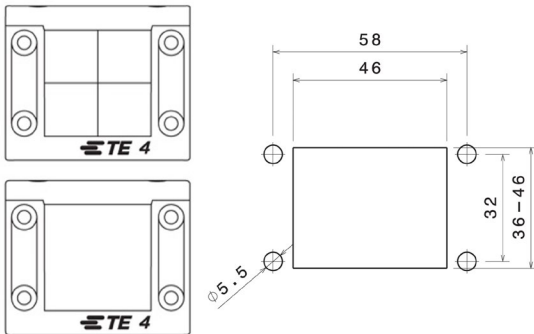
TE PN	TE Description	Cut-out dimensions/drilling pattern	
		A	B
2499690-1	CEP,FRAME,PA,4,BLK	46	58
2499690-2	CEP,FRAME,PA,10,BLK	65	83
2499690-3	CEP,FRAME,PA,16,BLK	86	103
2499690-4	CEP,FRAME,PA,24,BLK	112	130

Grommet positioning

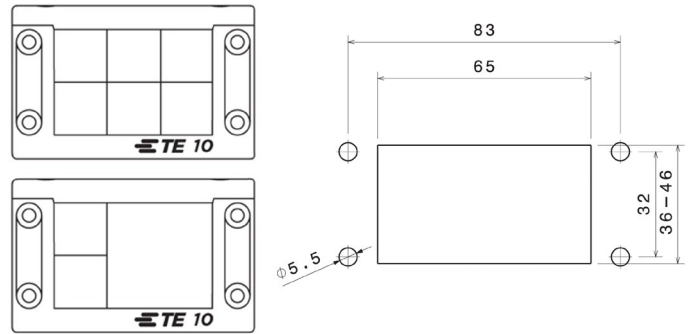


Frame sizes & cutout dimensions

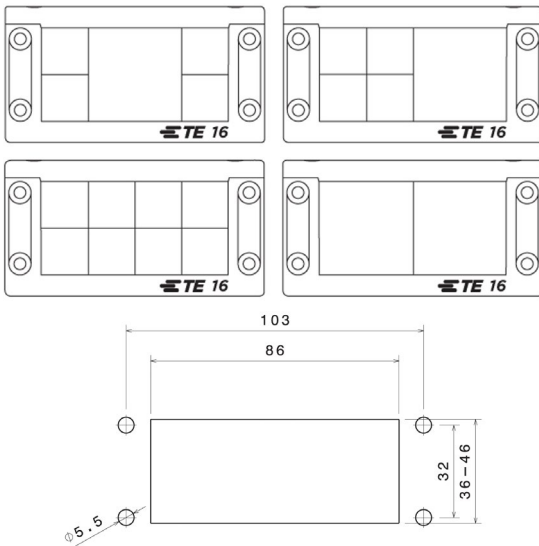
2499690-1 (Frame Size - 4)



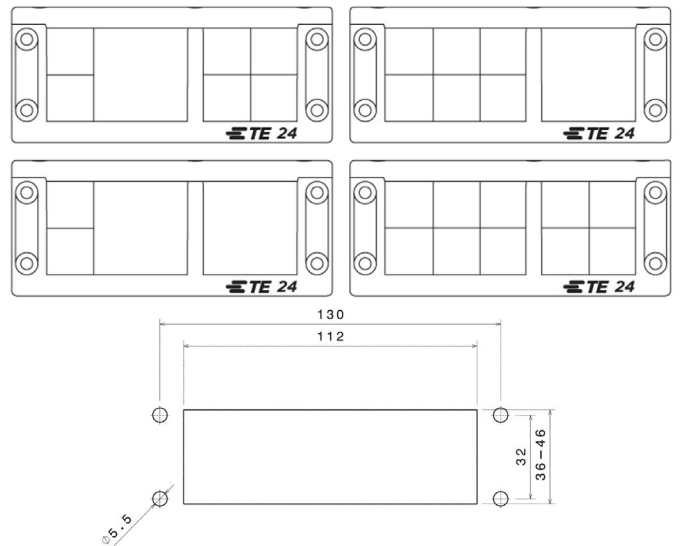
2499690-2 (Frame Size - 10)



2499690-3 (Frame Size - 16)



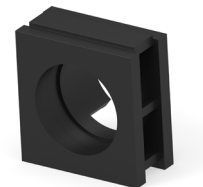
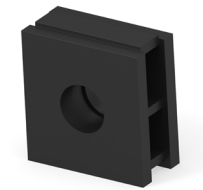
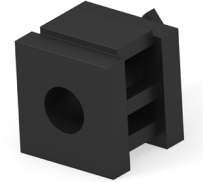
2499690-4 (Frame Size - 24)



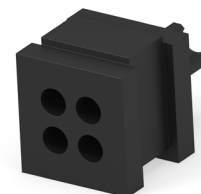
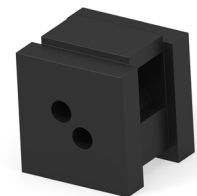
Technical spec - Grommets & Plugs

Grommets

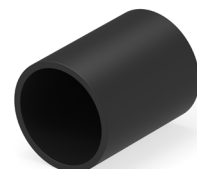
Single cable entry grommet (3 mm to 33 mm)						
TEPN	TE DESC	Material	Color	Sealing range	No cable entry	Packaging Quantity
2499691-1	CEP,GROMMET,TPE,SMALL,0,BLK	TPE	Black	N/A	1	20
2499691-2	CEP,GROMMET,TPE,SMALL,4,BLK	TPE	Black	3 - 4	1	20
2499691-3	CEP,GROMMET,TPE,SMALL,5,BLK	TPE	Black	4 - 5	1	20
2499691-4	CEP,GROMMET,TPE,SMALL,6,BLK	TPE	Black	5 - 6	1	20
2499691-5	CEP,GROMMET,TPE,SMALL,7,BLK	TPE	Black	6 - 7	1	20
2499691-6	CEP,GROMMET,TPE,SMALL,8,BLK	TPE	Black	7 - 8	1	20
2499691-7	CEP,GROMMET,TPE,SMALL,9,BLK	TPE	Black	8 - 9	1	20
2499691-8	CEP,GROMMET,TPE,SMALL,10,BLK	TPE	Black	9 - 10	1	20
2499691-9	CEP,GROMMET,TPE,SMALL,11,BLK	TPE	Black	10 - 11	1	20
1-2499691-0	CEP,GROMMET,TPE,SMALL,12,BLK	TPE	Black	11 - 12	1	20
1-2499691-1	CEP,GROMMET,TPE,SMALL,13,BLK	TPE	Black	12 - 13	1	20
1-2499691-2	CEP,GROMMET,TPE,SMALL,14,BLK	TPE	Black	13 - 14	1	20
1-2499691-3	CEP,GROMMET,TPE,SMALL,15,BLK	TPE	Black	14 - 15	1	20
1-2499691-4	CEP,GROMMET,TPE,SMALL,16,BLK	TPE	Black	15 - 16	1	20
2499693-1	CEP,GROMMET,TPE,LARGE,17,BLK	TPE	Black	16 - 17	1	10
2499693-2	CEP,GROMMET,TPE,LARGE,18,BLK	TPE	Black	17 - 18	1	10
2499693-3	CEP,GROMMET,TPE,LARGE,19,BLK	TPE	Black	18 - 19	1	10
2499693-4	CEP,GROMMET,TPE,LARGE,20,BLK	TPE	Black	19 - 20	1	10
2499693-5	CEP,GROMMET,TPE,LARGE,21,BLK	TPE	Black	20 - 21	1	10
2499693-6	CEP,GROMMET,TPE,LARGE,22,BLK	TPE	Black	21 - 22	1	10
2499693-7	CEP,GROMMET,TPE,LARGE,23,BLK	TPE	Black	22 - 23	1	10
2499693-8	CEP,GROMMET,TPE,LARGE,24,BLK	TPE	Black	23 - 24	1	10
2499693-9	CEP,GROMMET,TPE,LARGE,25,BLK	TPE	Black	24 - 25	1	10
1-2499693-0	CEP,GROMMET,TPE,LARGE,26,BLK	TPE	Black	25 - 26	1	10
1-2499693-1	CEP,GROMMET,TPE,LARGE,27,BLK	TPE	Black	26 - 27	1	10
1-2499693-2	CEP,GROMMET,TPE,LARGE,28,BLK	TPE	Black	27 - 28	1	10
1-2499693-3	CEP,GROMMET,TPE,LARGE,29,BLK	TPE	Black	28 - 29	1	10
1-2499693-4	CEP,GROMMET,TPE,LARGE,30,BLK	TPE	Black	29 - 30	1	10
1-2499693-5	CEP,GROMMET,TPE,LARGE,31,BLK	TPE	Black	30 - 31	1	10
1-2499693-6	CEP,GROMMET,TPE,LARGE,32,BLK	TPE	Black	31 - 32	1	10
1-2499693-7	CEP,GROMMET,TPE,LARGE,33,BLK	TPE	Black	32 - 33	1	10



Multiple cable entry grommet (4 mm to 8 mm)						
TEPN	TE DESC	Material	Color	Sealing range	No cable entry	Packaging Quantity
2499692-1	CEP,GROMMET,TPE,MULTI,2,5,BLK	TPE	Black	4 - 5	2	20
2499692-2	CEP,GROMMET,TPE,MULTI,2,6,BLK	TPE	Black	5 - 6	2	20
2499692-3	CEP,GROMMET,TPE,MULTI,2,7,BLK	TPE	Black	6 - 7	2	20
2499692-4	CEP,GROMMET,TPE,MULTI,2,8,BLK	TPE	Black	7 - 8	2	20
2499692-5	CEP,GROMMET,TPE,MULTI,4,5,BLK	TPE	Black	4 - 5	4	20
2499692-6	CEP,GROMMET,TPE,MULTI,4,6,BLK	TPE	Black	5 - 6	4	20

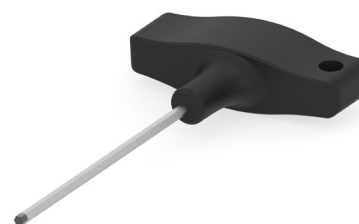


Grommet plugs for sealing (4 mm to 15 mm)						
TEPN	TE DESC	Material	Color	Length	Diameter	Packaging Quantity
2499694-1	CEP,GROMMET,PA,PLUG,4,BLK	PA 6.6	Black	20	4	20
2499694-2	CEP,GROMMET,PA,PLUG,5,BLK	PA 6.6	Black	20	5	20
2499694-3	CEP,GROMMET,PA,PLUG,6,BLK	PA 6.6	Black	20	6	20
2499694-4	CEP,GROMMET,PA,PLUG,7,BLK	PA 6.6	Black	20	7	20
2499694-5	CEP,GROMMET,PA,PLUG,8,BLK	PA 6.6	Black	20	8	20
2499694-6	CEP,GROMMET,PA,PLUG,10,BLK	PA 6.6	Black	20	10	20
2499694-7	CEP,GROMMET,PA,PLUG,12,BLK	PA 6.6	Black	20	12	20
2499694-8	CEP,GROMMET,PA,PLUG,14,BLK	PA 6.6	Black	20	14	20
2499694-9	CEP,GROMMET,PA,PLUG,16,BLK	PA 6.6	Black	20	15	20

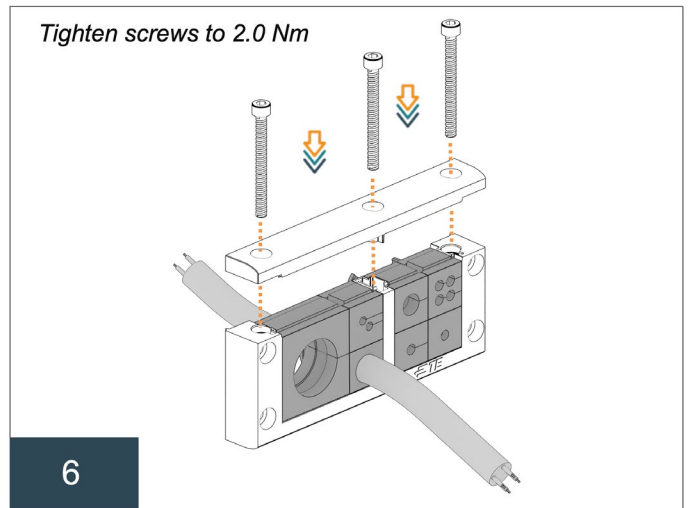
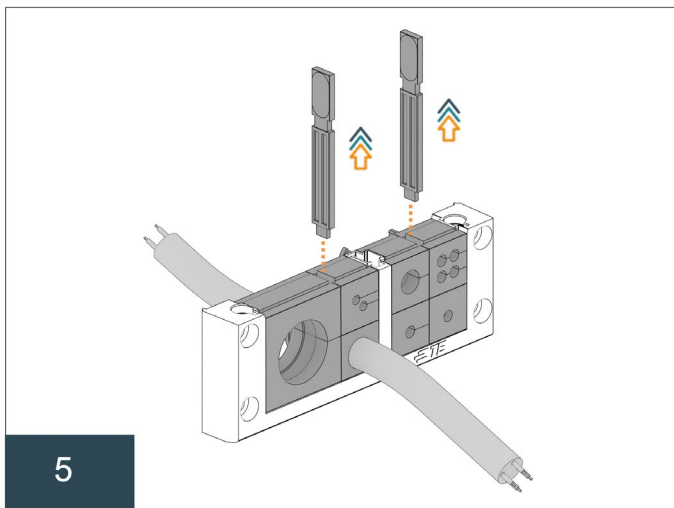
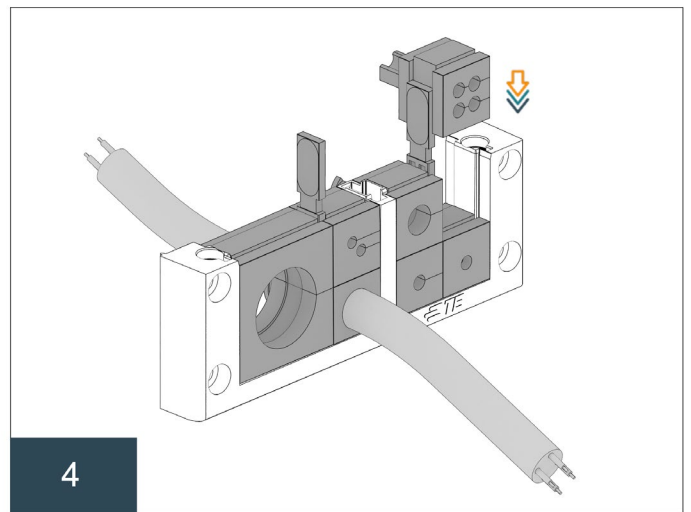
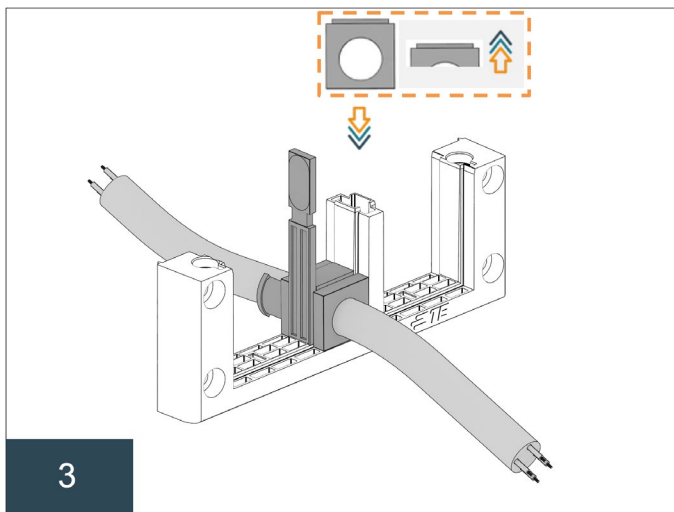
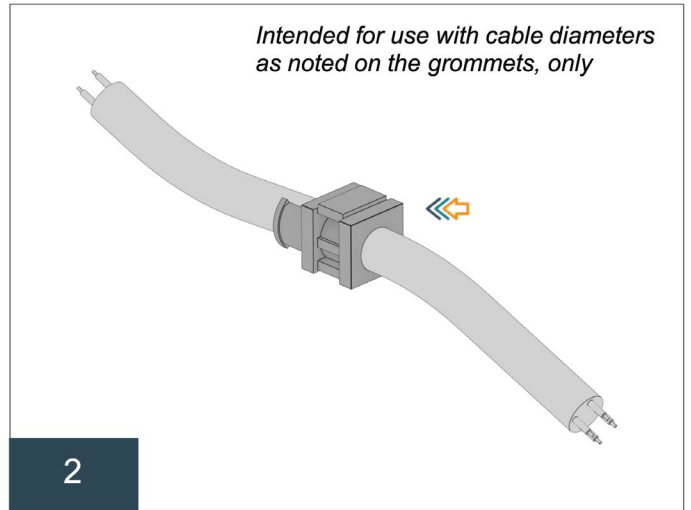
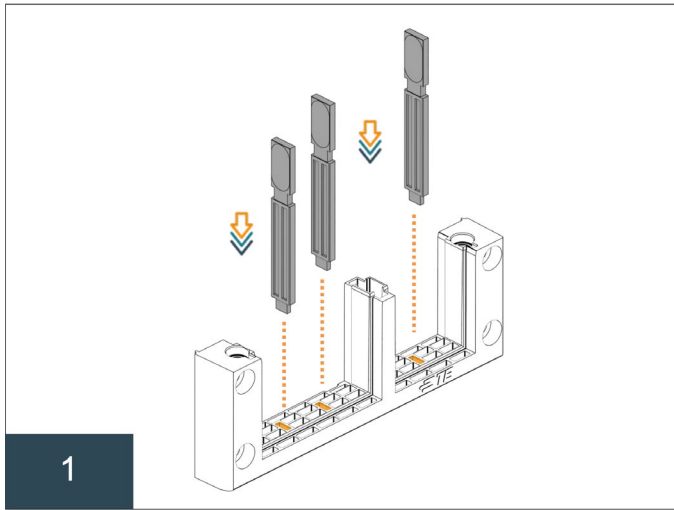


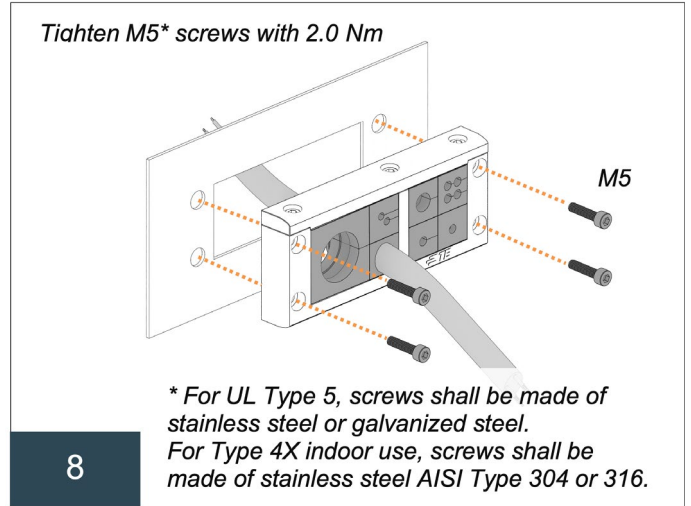
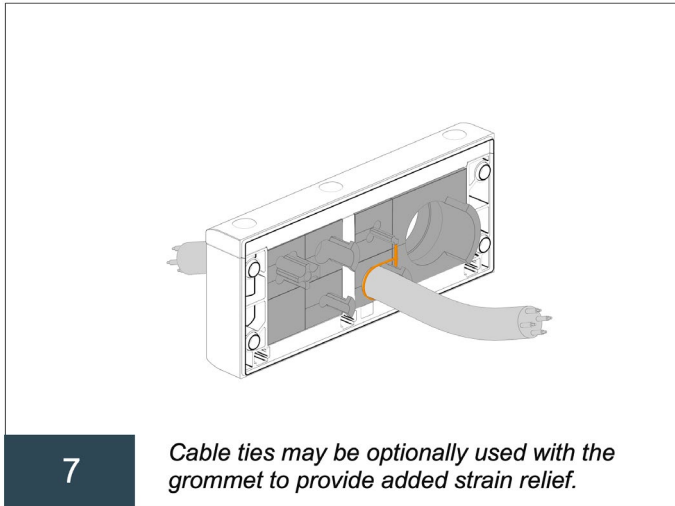
Tool Spec

TEPN	TE DESC	Size	Packaging Quantity
2499695-1	CEP,ACCESSORY,TOOL	4 mm	1



Assembly instructions





UL Type ratings were evaluated with cables feed straight through, without any bending or misalignment forces on the same. This shall be considered for proper end use mounting. Strain relief and push back relief on cables shall be up to the end user to provide it in the end use.

Connect With Us

We make it easy to connect with our experts and are ready to provide all the support you need.

Visit te.com/support to chat with a Product Information Specialist.

TE, TE Connectivity, TE connectivity (logo), and EVERY CONNECTION COUNTS are trademarks owned or licensed by the TE Connectivity plc family of companies. Other product names, logos, and company names mentioned herein may be trademarks of their respective owners.

While TE has made every reasonable effort to ensure the accuracy of the information in this document, TE does not guarantee that it is error-free, nor does TE make any other representation, warranty or guarantee that the information is accurate, correct, reliable or current. TE reserves the right to make any changes to the information contained herein without prior notice. TE Connectivity assumes only those obligations set forth in the terms and conditions for this product and shall in no event be liable for any incidental, indirect, or consequential damages arising out of the sale, resale, use, or misapplication of the product. TE expressly disclaims any implied warranties with respect to the information contained herein, including, but not limited to, implied warranties of merchantability or fitness for a particular purpose. Dimensions, specifications and/or information contained herein are for reference purposes only and are subject to change without notice. Consult TE for the latest dimensions, specifications and/or information. Users of TE Connectivity products must make their own assessment as to whether the respective product is suitable for the respective desired application.

©2026 TE Connectivity. All Rights Reserved.

01-26