

RCCB, 2-pole, type A, In: 25 A, 300 mA, Un AC: 230 V



Model		
product brandname		SENTRON
Product designation		RCCB
Design of the product		Instantaneous
General technical data		
Number of poles		2
Size of installation devices / acc. to DIN 43880		1
Protection against electrical shock		Finger and back-of-hand safe
Short-circuit current rating	kA	10
circuit-breaker / Design		5SV3
Mechanical service life (switching cycles) / typical		10 000
Overvoltage category		III
Supply voltage		
Supply voltage		
<ul style="list-style-type: none"> at AC / rated value 	V	230
<ul style="list-style-type: none"> for testing equipment / minimum 	V	100
Protection class		

Protection class IP		IP20, if the distribution board is installed, with connected conductors
Switching capacity		
Switching capacity current		
<ul style="list-style-type: none"> • acc. to EN 60898 / rated value 	kA	0.5
Dissipation		
Power loss [W]		
<ul style="list-style-type: none"> • for rated value of the current / at AC / in hot operating state / per pole 	W	0.6
<ul style="list-style-type: none"> • maximum 	W	1.2
Electricity		
Tripping residual current / rated value	mA	300
rated current I_n / IEC, DIN/VDE / at 40 Cel	A	25
Type of fault current		A
Current / at AC / rated value	A	25
I²t-value / permissible	A ² ·s	15 620
Surge current resistance / rated value	kA	1
Operating frequency		50/60Hz
Product details		
Product feature		
<ul style="list-style-type: none"> • silicon-free 		Yes
Product extension / can be installed / supplementary devices		Yes
Number		
Number of test cycles / for environmental testing / acc. to IEC 60068-2-30		28
Connections		
Connectable conductor cross-section / stranded		
<ul style="list-style-type: none"> • minimum 	mm ²	0.75
<ul style="list-style-type: none"> • maximum 	mm ²	35
Connectable conductor cross-section / solid		
<ul style="list-style-type: none"> • minimum 	mm ²	0.75
<ul style="list-style-type: none"> • maximum 	mm ²	35
Tightening torque / with screw-type terminals		
<ul style="list-style-type: none"> • minimum 	N·m	2.5
<ul style="list-style-type: none"> • maximum 	N·m	3
Position / of power supply cord		top or bottom
Mechanical Design		
Height	mm	90
Width	mm	36

Depth	mm	70
Mounting position		any
Installation depth	mm	70
Number of width units		2
Mounting type		DIN rail (REG)
Net weight	g	196

Environmental conditions

Ambient temperature

• minimum	°C	-25
• maximum	°C	45
• during storage / minimum permissible	°C	-40
• during storage / maximum permissible	°C	75

Certificates

Equipment marking

• acc. to DIN EN 61346-2	F
• acc. to DIN EN 81346-2	F

General Product Approval



CCC



IMQ



ÖVE



VDE



[sonstig](#)

Declaration of Conformity



EG-Konf.

Further information

Information- and Downloadcenter (Catalogs, Brochures,...)

<http://www.siemens.com/lowvoltage/catalogs>

Industry Mall (Online ordering system)

<https://eb.automation.siemens.com/mall/en/WW/Catalog/Product/5SV3612-6>

Service&Support (Manuals, Certificates, Characteristics, FAQs,...)

<http://support.automation.siemens.com/WW/view/en/5SV3612-6/all>

Image database (product images, 2D dimension drawings, 3D models, device circuit diagrams, ...)

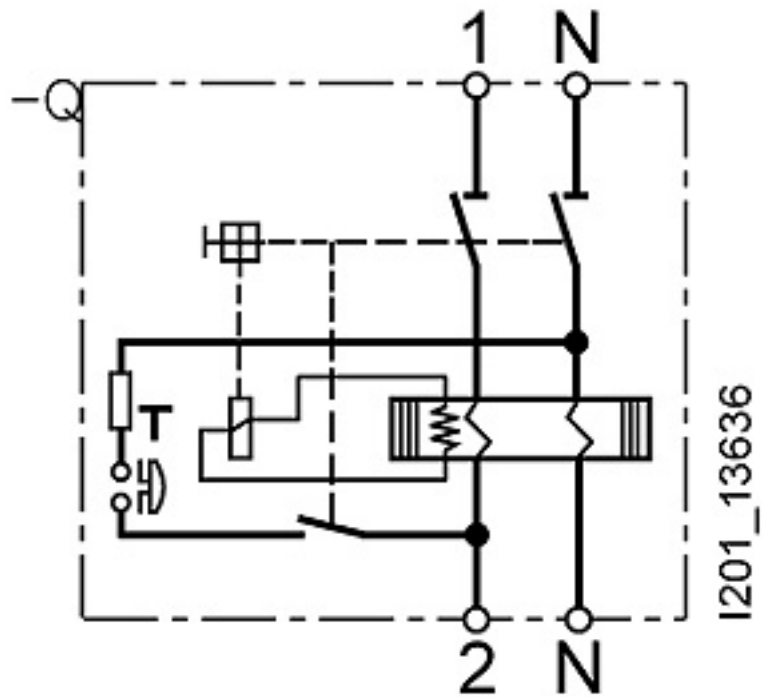
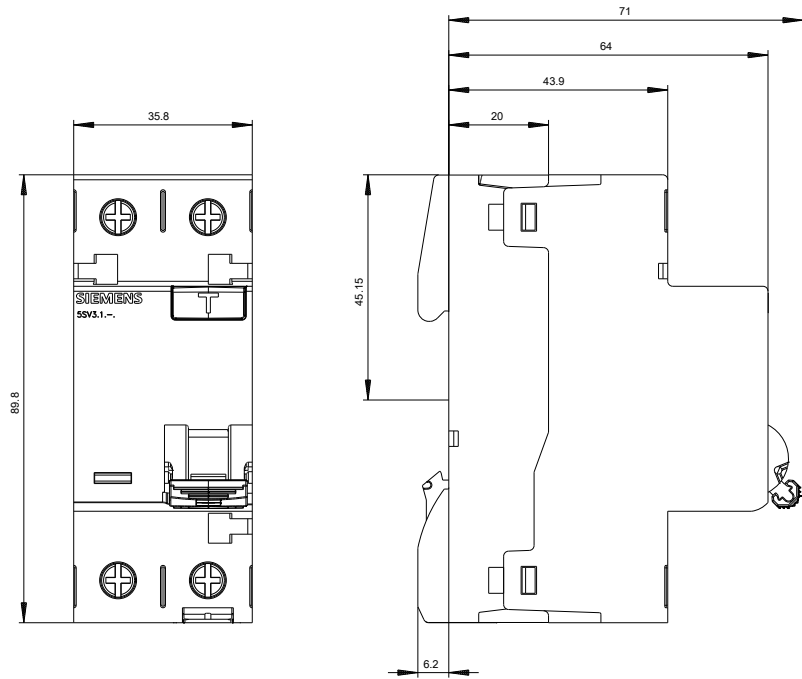
http://www.automation.siemens.com/bilddb/cax_en.aspx?mfb=5SV3612-6

CAX-Online-Generator

<http://www.siemens.com/cax>

Tender specifications

<http://ausschreibungstexte.siemens.com/tiplv>



last modified:

10/07/2016