

Electrical connection technologies → Electrical connection technologies

Connecting cable with socket

► Socket, M12, 5-pin ► without wire end ferrule, tin-plated, 5-pin ► screened



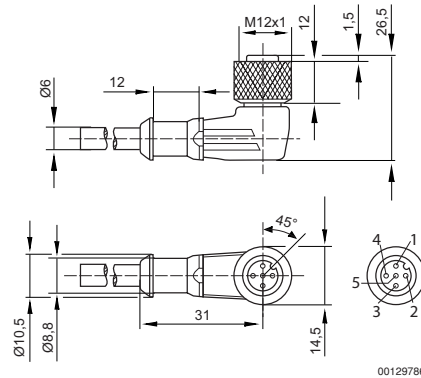
00129794

Ambient temperature min./max. -25 °C / +80 °C
 Cable exit angled 90°

Materials:
 Cable sheath Polyurethane

Electrical interface		Max. current	Number of wires	Cable length	Wire cross-section	Weight	Part No.
[Port 1]	[Port 2]	[A]		[m]	[mm ²]	[kg]	
Socket, M12, 5-pin	without wire end ferrule, tin-plated, 5-pin	4	5	2.5	0.34	0.1528	R419800109
Socket, M12, 5-pin	without wire end ferrule, tin-plated, 5-pin	4	5	5	0.34	0.2854	R419800110
Socket, M12, 5-pin	without wire end ferrule, tin-plated, 5-pin	4	5	10	0.34	0.542	R419800546

Dimensions



00129786

1 = brown, 2 = white, 3 = blue, 4 = black, 5 = grey