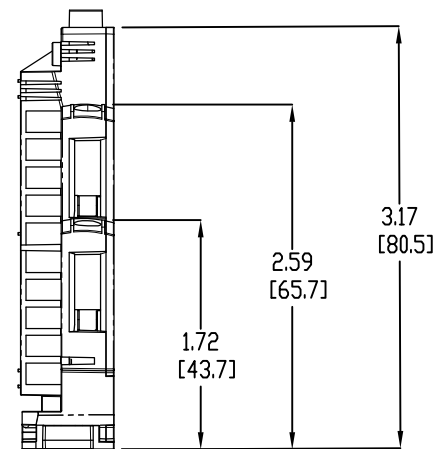
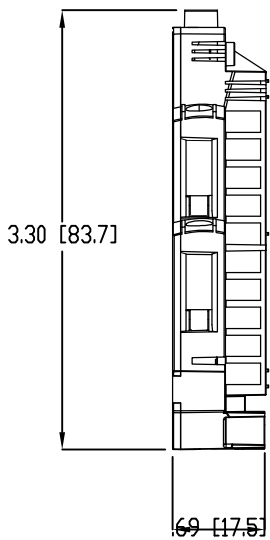
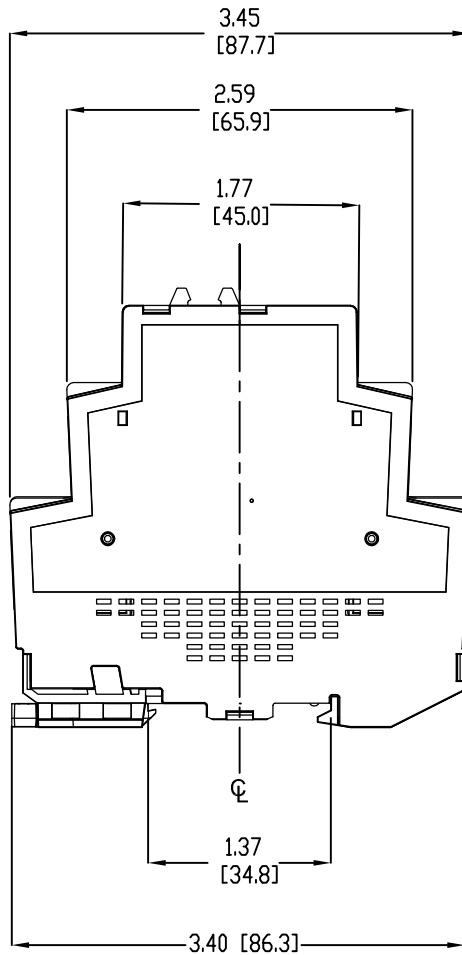
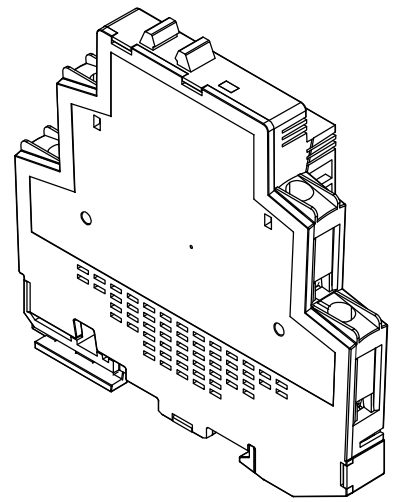
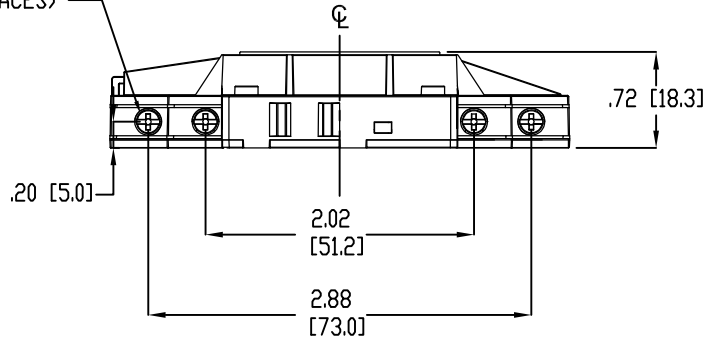


SCREW M3  
(4 PLACES)



Tolerances  $\pm 0.02$  /0.5mm. All dimensions are in: inches [millimeters]

UNCONTROLLED COPY

FIRST ISSUE DATE : 12/12/2012  
 DRAWN : FF  
 APPROVED : JM  
 DATE : 02/05/2021

SENSATA TECHNOLOGIES PROPRIETARY AND CONFIDENTIAL. NEITHER THIS PRINT NOR THE INFORMATION CONTAINED HEREON IS TO BE USED AGAINST THE INTERESTS OF SENSATA TECHNOLOGIES OR AGAINST THE INTEREST OF ANY OF ITS AFFILIATED COMPANIES OR WHOLLY OWNED SUBSIDIARIES.



**Sensata**  
Technologies

Av. Producción # 2181 Parque Industrial International Tijuana, Tijuana, B.C. 22425

Crydom

ECN:

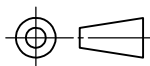
UNLESS OTHERWISE SPECIFIED DIMENSIONS ARE IN INCHES [MILLIMETERS] AND ARE INTENDED AS NOMINAL. SEE PRODUCT SPECIFICATION FOR MORE DETAILS.

TITLE SERIES ONE DR  
SINGLE CHANNEL 12 AMPS

DATE:

DO NOT SCALE DRAWING

THIRD ANGLE PROJECTION



SIZE  
**A**

DWG NO.

**105602**

REV.  
**1**

SCALE N/A

SOLIDWORKS

SHEET 1 OF 1