

TECHNICAL CHARACTERISTICS

MATERIAL
 INSULATOR: LCP
 FLAMMABILITY RATING: UL94-V0
 COLOR: BLACK
 CONTACT MATERIAL: COPPER ALLOY
 CONTACT TYPE: STAMPED
 CONTACT PLATING: TIN
 QUALITY CLASS: 25 MATING CYCLES
 PITCH: 3.00MM

ENVIRONMENTAL
 OPERATING TEMPERATURE: -40 UP TO 105°C
 COMPLIANCE: LEAD FREE AND ROHS



ELECTRICAL
 CURRENT RATING: 5A
 WORKING VOLTAGE: 250V AC
 INSULATOR RESISTANCE: >1000 MOHM
 DIELECTRIC WITHSTANDING VOLTAGE: 1500V AC/MN
 CONTACT RESISTANCE: 10 mOHM MAX

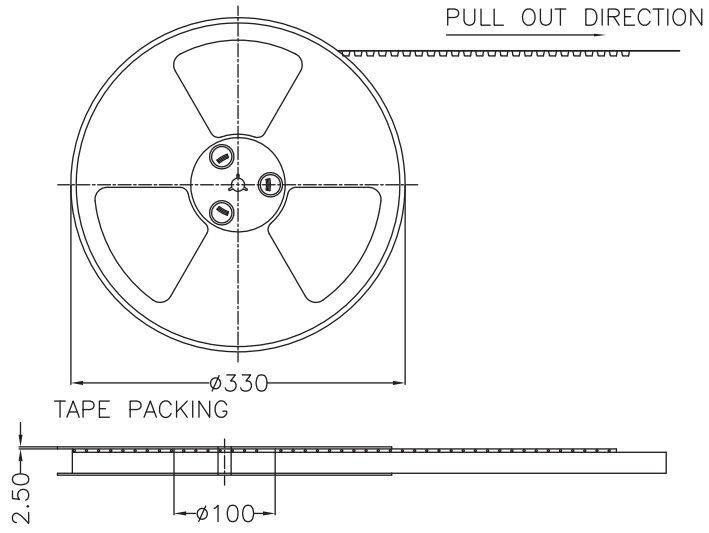
STANDARD
 CERTIFIED: E323964

SOLDERING
 JEDEC LEAD FREE REFLOW SOLDERING PROCESS

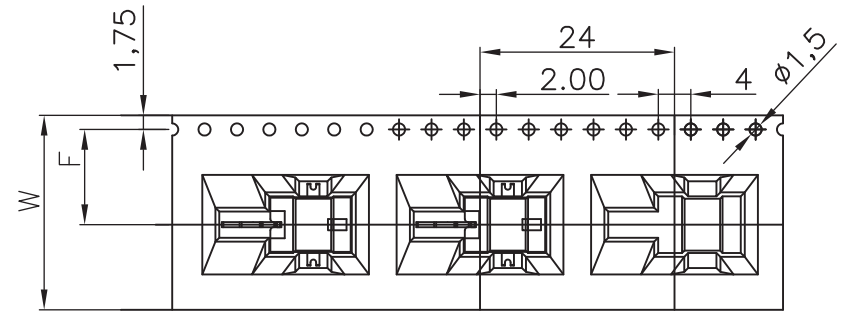
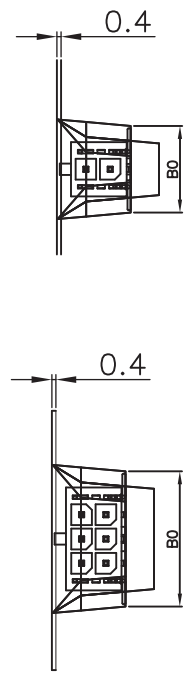
PACKAGING
 TAPE AND REEL

DIMENSION
 A = 3.00 x (NB. PIN / 2 - 1)
 B = 3.00 x (NB. PIN / 2 + 1) + 0.70

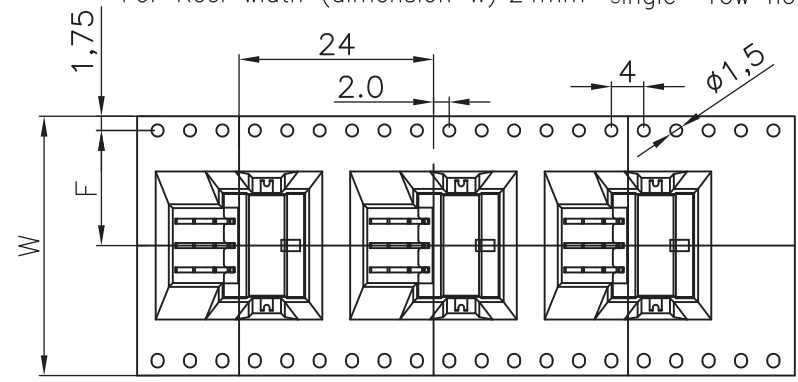
RoHS Compliant				PROJECTION: 	GENERAL TOLERANCE .X = +/- 0.2 .XX = +/- 0.15	 WÜRTH ELEKTRONIK	DESCRIPTION: 3.00MM MALE DUAL ROW SMT RIGHT ANGLE HEADER SMT SOLDER TAB WERI PART NO: 662 1xx 231 722	SIZE A4
K	04-NOV-16	PCN	AK					
J	07-MAR-16	COPLANARITY	AK	APPROVAL: BBu	UNIT: MM			
I	02-JUL-15	PINNING	AK	SHEET: 1/3	SCALE:			
H	13-JAN-15	PROJECTION	QP	DRAW: PEARL				
REV	DATE	FILE	BY					



Pin.	W	F	Pcs/R	R/Carton	Pcs/Carton
2	24	11.5	200	9	1800
4	24	11.5	200	9	1800
6	32	14.2	200	7	1400
8	44	20.2	200	5	1000
10	44	20.2	200	5	1000
12	44	20.2	200	5	1000
14	44	20.2	200	5	1000
16	56	26.2	200	4	800
18	56	26.2	200	4	800
20	56	26.2	200	4	800
22	56	26.2	200	4	800
24	56	26.2	200	4	800



For Reel width (dimension W) 24mm single row hole



For Reel width (dimension W) 32,44,56mm double rows hole

- Note:
- All dimensions meet EIA-481-3 requirements.
 - Material : BK Conductive Polystyrene Alloy
100% recyclable.
 - Thickness : 0.40 ± 0.05 mm
 - Component load per 330mm reel : 200 pcs.
 - Carton Size: 350*350*296(mm)

RoHS Compliant				PROJECTION: 	GENERAL TOLERANCE .X = ± 0.2 .XX = ± 0.15		DESCRIPTION: 3.00MM MALE DUAL ROW SMT RIGHT ANGLE HEADER SMT SOLDER TAB	SIZE A4
G								
F				SCALE:				
E					SHEET: 2/3			
D					DRAW: PEARL			
C								
B								
A								
REV	DATE	FILE	BY					

1

2

3

4

5

Cautions and Warnings:

This electronic component is designed and developed with the intention for use in general electronics equipments.

Before incorporating the components into any equipments in the field such as aerospace, aviation, nuclear control, submarine, transportation, (automotive control, train control, ship control), transportation signal, disaster prevention, medical, public information network etc. where higher safety and reliability are especially required or if there is possibility of direct damage or injury to human body, Würth Elektronik must be asked for a written approval.

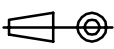

In addition, even electronic component in general electronic equipments, when used in electrical circuits that require high safety, reliability functions or performance, the sufficient reliability evaluation-check for the safety must be performed before by the user before usage.

A

B

C

RoHS Compliant

G				PROJECTION: 	GENERAL TOLERANCE .X = +/- 0.2 .XX = +/- 0.15		
F							
E							
D							
C				APPROVAL: JC	UNIT: MM	DESCRIPTION: DISCLAIMER	SIZE A4
B					SCALE:		
A	10-SEP-14	PDF	QL		SHEET: 3/3	WERI PART NO: DISCLAIMER	
REV	DATE	FILE	BY		DRAW: QL		

D