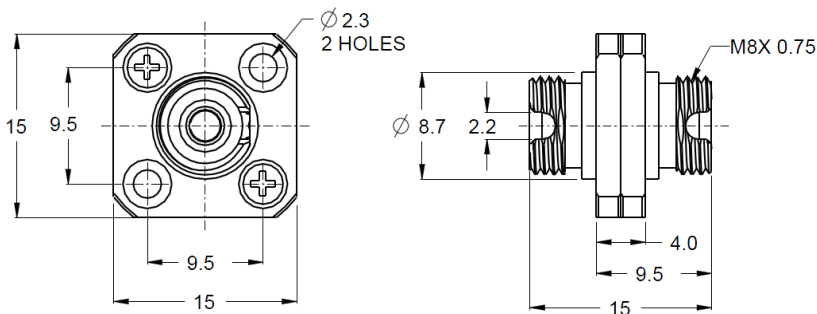


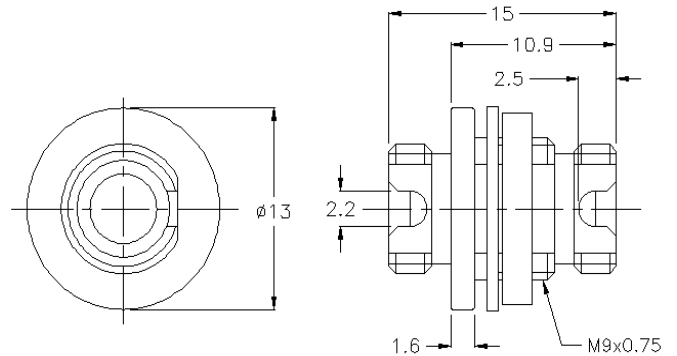
# FC Adapters

FC Adapters		Alignment Sleeve Material	Flange Type	Body Material
Part #	Description			
944-120-6000	FC Simplex adapter, metal body, singlemode	Zirconia	Square, Screw mount	Metal
944-120-6001	FC Simplex adapter, metal body, multimode	Phosphor Bronze	Square, Screw mount	Metal
944-125-6003	FC Simplex adapter, metal body, singlemode	Zirconia	Feed-through, D-hole	Metal
944-125-6002	FC Simplex adapter, metal body, multimode	Phosphor Bronze	Feed-through, D-hole	Metal
944-125-6004	FC/APC Simplex adapter, singlemode, Tight Keyway	Zirconia	Feed-through, D-hole	Metal
FC Hybrid Adapters		Alignment Sleeve Material	Flange Type	Color
Part #	Description			
954-944-5001	SC-FC Hybrid simplex adapter, singlemode	Zirconia	Square, Screw mount	Metal
954-944-5000	SC-FC Hybrid simplex adapter, multimode	Phosphor Bronze	Square, Screw mount	Metal

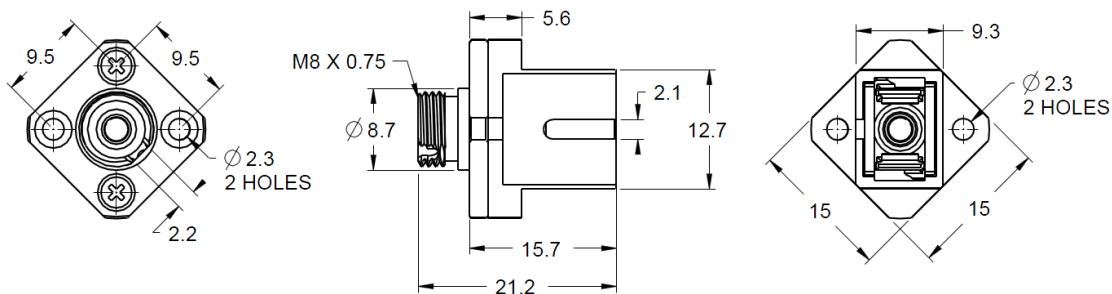
\* Please contact Amphenol for other configurations.



FC Square Adapter Screw Mount



FC D-Hole Adapter



SC - FC Hybrid Adapter