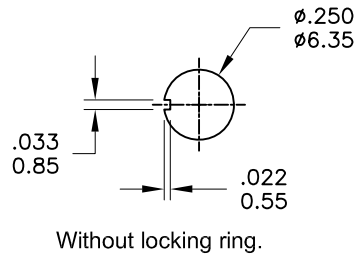
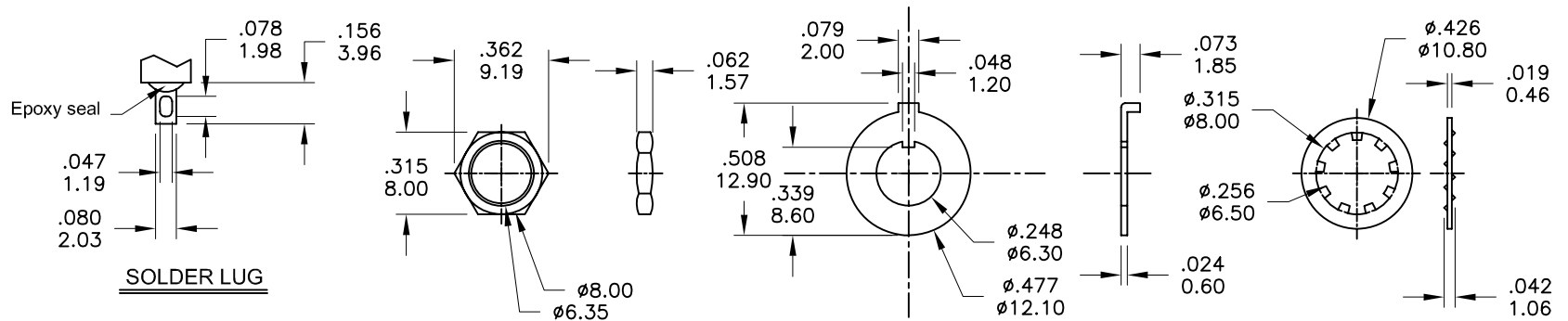


Model No.	POS.1	POS.2	POS.3
1MD3	ON	OFF	ON
Term. Comm.	2-3,5-6	OPEN	2-1,5-4
SCHEMATIC			



PANEL MOUNTING



**SPECIFICATIONS**

**MECHANICAL LIFE:** 40,000 make-and-break cycles.  
**CONTACT RESISTANCE:** 10mΩ max. initial @ 2-4VDC  
 100mA for both silver and gold plated contacts.  
**INSULATION RESISTANCE:** 1,000MΩ min.  
**DIELECTRIC STRENGTH:** 1,000 V RMS@sea level.  
**OPERATING TEMPERATURE:** -30°C to 85°C.

**MATERIALS**

**CASE:** Dially phthalate (DAP) (UL94v-0).  
**ACTUATOR:** Brass,chrome plated.  
**BUSHING:** Brass,nickel plated.  
**HOUSING:** Stainless Steel.  
**TERMINAL/CONTACT:** Silver or gold plated.

**RATING :**

R : 0.4 Volt-Amps(VA) max. @20V max.(AC or DC)  
 Q : 2Amps @250VAC  
 5Amps @120 VAC or 28 VDC

RS Article # 394421

符號	原尺寸	修改後尺寸	變更日期	SCALE (比例) : 3 : 2	TITLE 圖名	Miniature Toggle Switches	SIZE 圖紙	A4		
1	(A)			TOLERANCE (公差) : 0.00 mm ± 0.25mm 0.0 mm ± 0.40mm ANGULAR : ± 5° FILE NAME : 1MDP0562	DWG NO. 圖號	1MD3T1B1M1QES-1	UNIT 單位	inch mm		
2	(B)				REV. 版本	A	DATE 日期	JUL - 28 - 2006	SHEET 張數	1 of 1
3	(C)				CHECKED BY 審核	RICHARD		DRAWN BY 製圖	ODA	
4	(D)									
5	(E)									