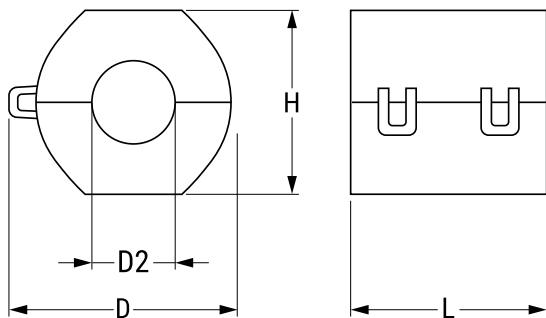


**KEMET Part Number: ESD-SR-S16**  
(UECESDSRS16000)

KEMET, ESD-SR, EMI Cores, Noise Suppression



General Information	
<b>Series:</b>	ESD-SR
<b>Style:</b>	Round - Snap-on
<b>Cable Type:</b>	Round Cable
<b>Description:</b>	EMI Core Split, For Round Cables, Snap-on Core
<b>RoHS:</b>	Yes
<b>Qualifications:</b>	UL94V-0
<b>CTI:</b>	Rank 0
<b>Case Color:</b>	Black
<b>Materials:</b>	Ni-Zn

Dimensions	
<b>D2</b>	8mm MAX
<b>L</b>	20.5mm MAX
<b>T</b>	23mm MAX
<b>H</b>	20mm MAX

Specifications	
<b>Rated Temperature:</b>	65°C

Packaging Specifications	
<b>Packaging:</b>	Tray, Box
<b>Packaging Quantity:</b>	280