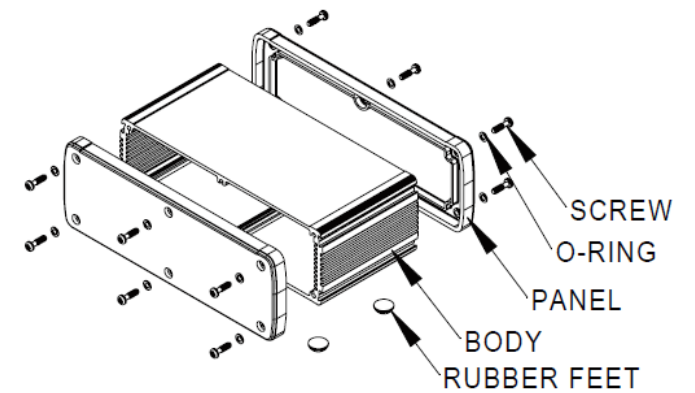
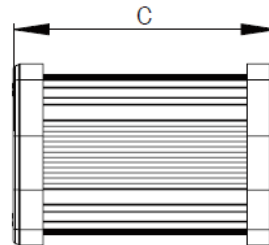
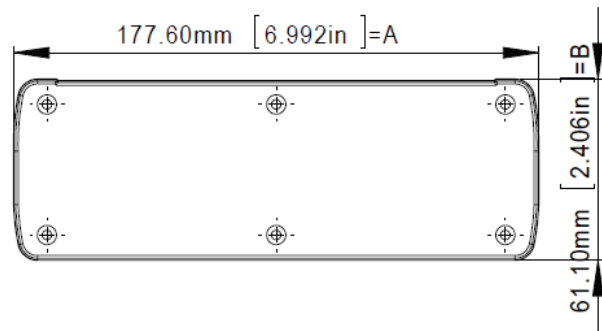
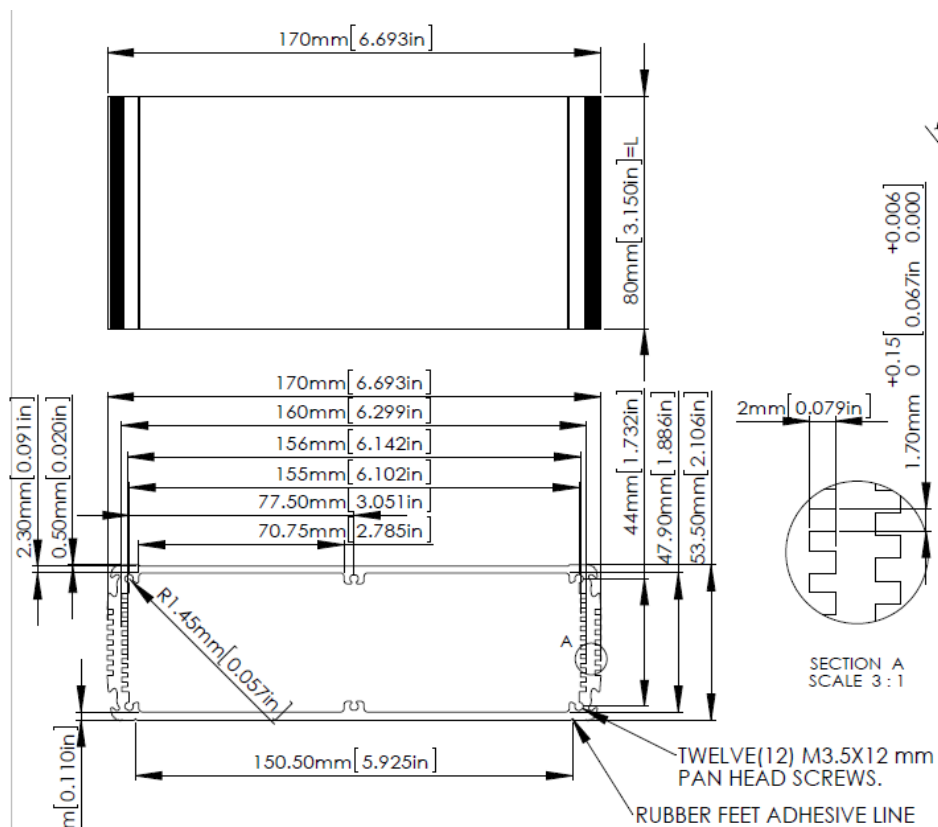


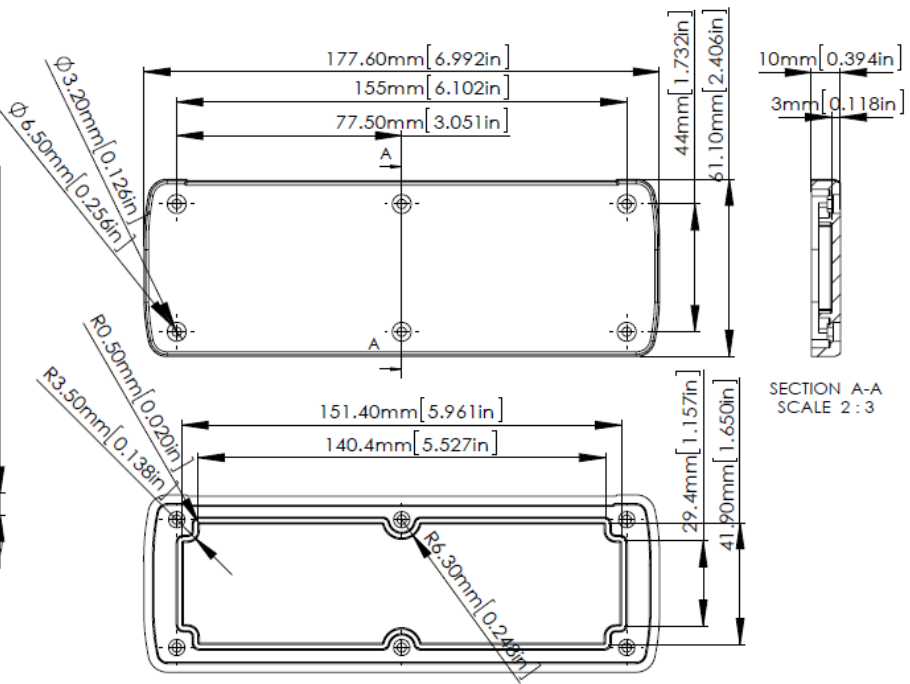


- RS Stock No. 1368941
- RS Stock No. 1368942
- RS Stock No. 1368943
- RS Stock No. 1368944
- RS Stock No. 1368945
- RS Stock No. 1368946
- RS Stock No. 1368948
- RS Stock No. 1368949





RS Stock No.	L (mm)
1368941	80
1368942	120
1368943	160
1368944	200
1368945	80
1368946	120
1368948	160
1368949	200



PANEL

According to ISO 2768-m	
Measuring DIM=L	Tolerances
0.5<L<=3.0mm	±0.1mm
3.0<L<=6.0 mm	±0.1mm
6.0<L<=30.0 mm	±0.2mm
30.0<L<=120.0 mm	±0.3mm
120.0<L<=400.0 mm	±0.5mm
400.0<L<=1000.0 mm	±0.8mm