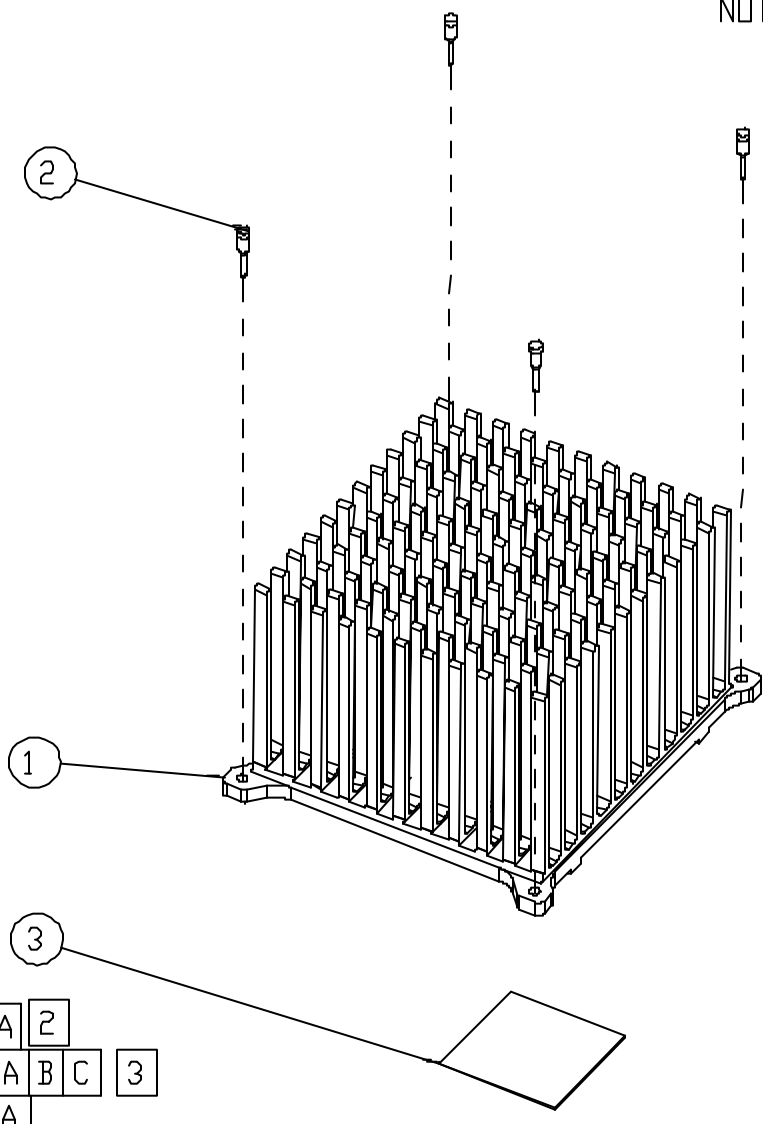
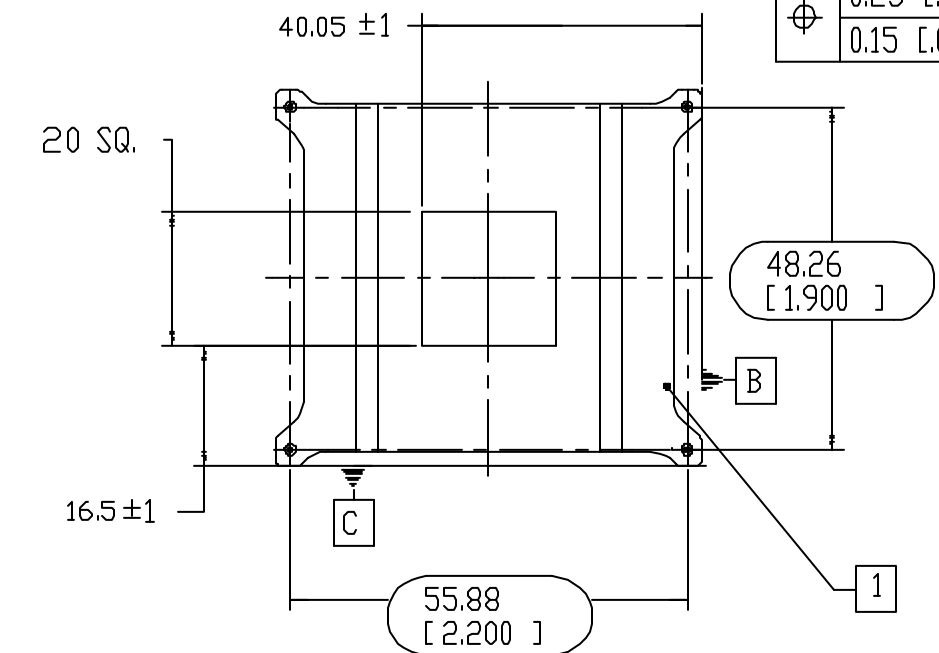
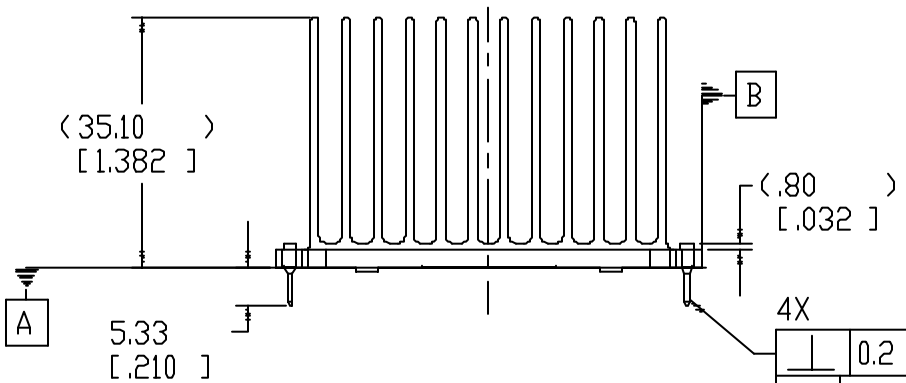
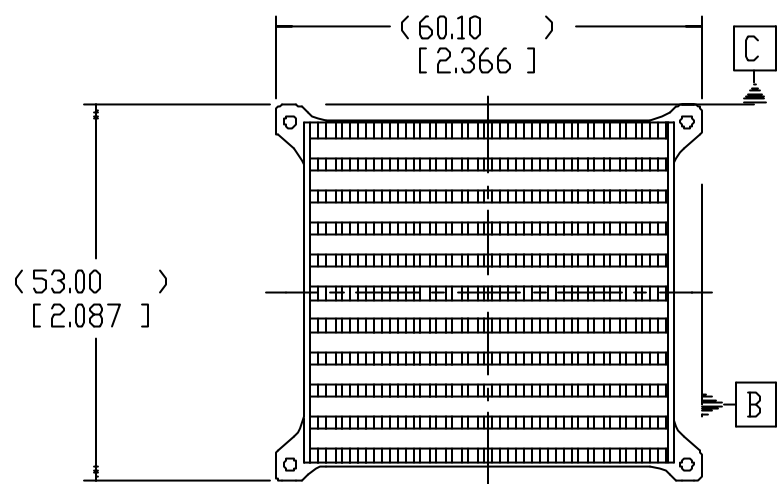


REV	DESCRIPTION	BY	DATE
A	RELEASE	SHIH	10/16/03



4X	0.2 [0.007]	A	2
∅	0.25 [0.009]	A B C	3
	0.15 [0.005]	A	

NOTES:

- 1 MARK ASSEMBLY NUMBER, DATE CODE AND SUPPLIER NUMBER APPROXIMATELY WHERE SHOWN.
- 2 CRITICAL TO FUNCTION.
- 3 INSPECTION DIMENSION. USE HIGHLIGHTED INSPECTION DIMENSIONS AS BASIC DIMENSIONS FOR GEOMETRIC TOLERANCING

ITEM	PART NAME	PART NO.	QTY
1	HEAT SINK	335C855901A	1
2	SOLDER PIN	332I855901A	4
3	THERMAL INTERFACE HONEYWELL PCM45F	333C855902B	1

MATERIAL		MODEL NO.
SURFACE FINISH		PART NO. 00C855902B
TOLERANCES UNLESS NOTED		TITLE
LINEAR ± 0.25		GRANTSDALE WAVE SOLDER HEATSINK ASSEMBLY
ANGLES ± 0.5°		DESIGNER SHIH 10/16/03
	SCALE: 1	CHECKED
	SHEET 1 OF 1	APPROVED

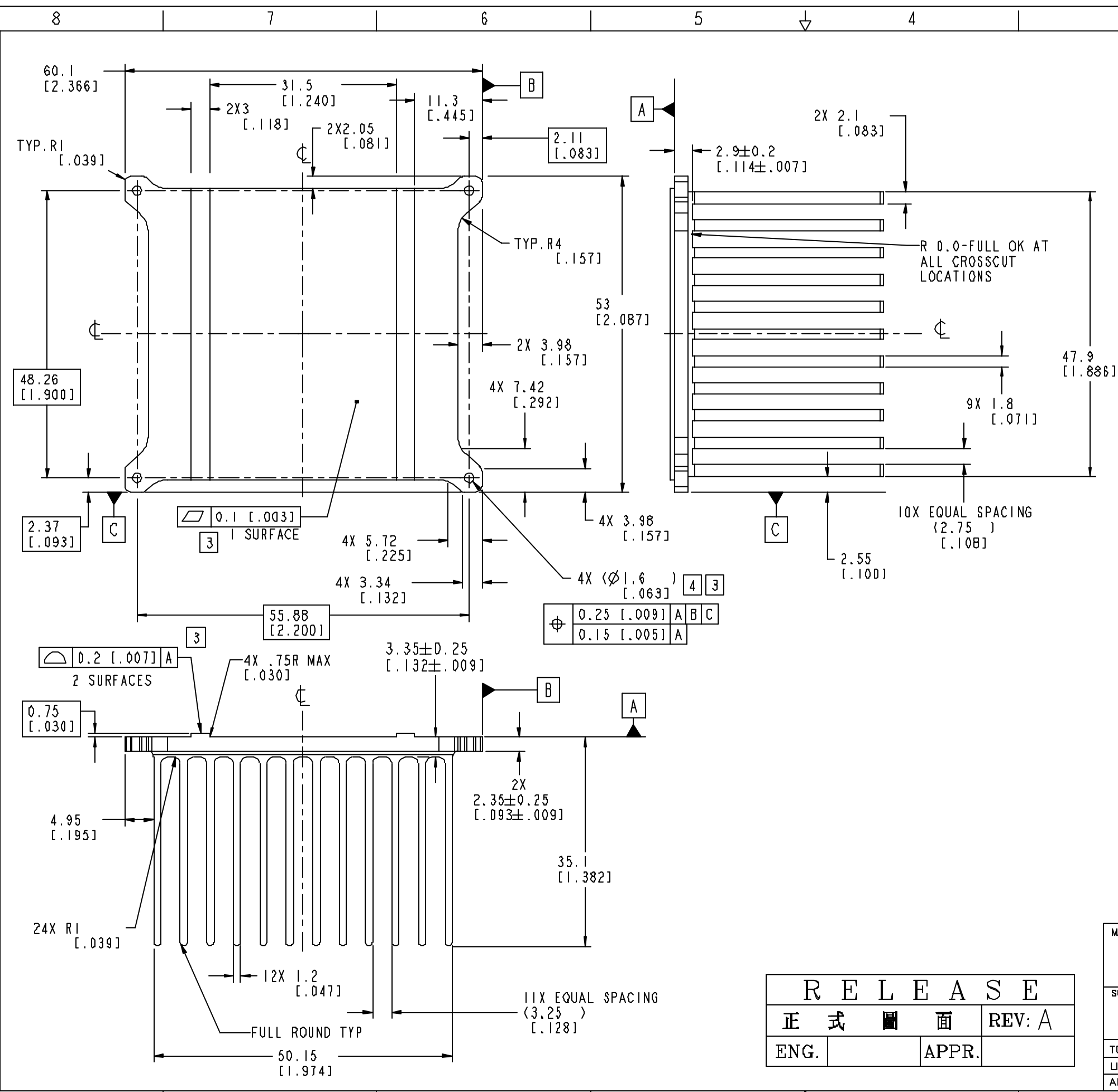
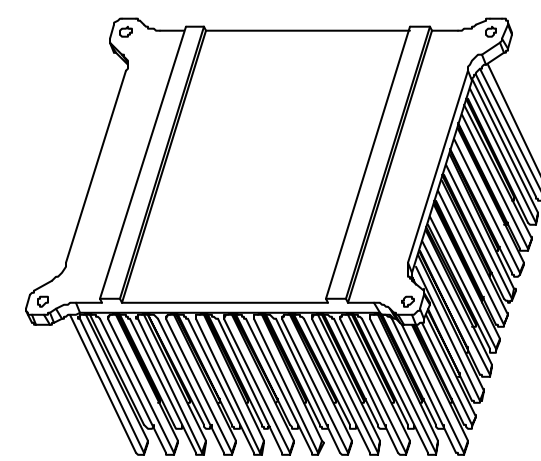
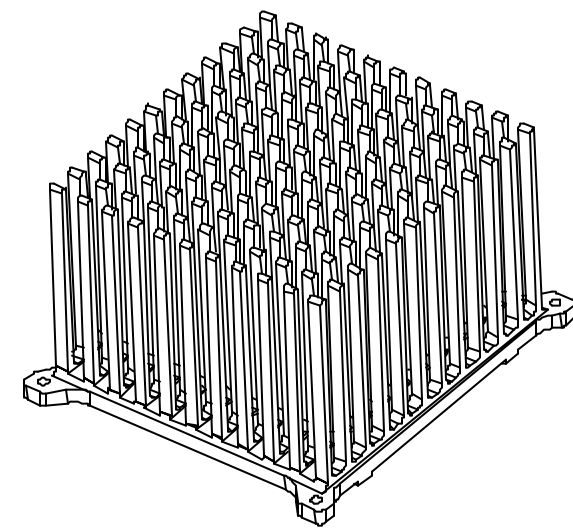
R E L E A S E

正式圖面 REV: A

ENG. _____ APPR. _____

REVISIONS			
REV	DESCRIPTION	BY	DATE
△	RELEASE	SHIH	10/16/03

- NOTES:
1. MATERIAL: AL 6063 T5
 2. REMOVE ALL BURRS AND SHARP EDGES
 3. CRITICAL TO FUNCTION DIMENSION
 4. SUPPLIER RESPONSIBLE FOR FEATURE SIZE TOLERANCE. SIZE FOR MATING COMPONENT PRESS FIT.



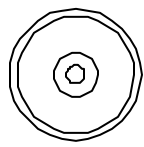
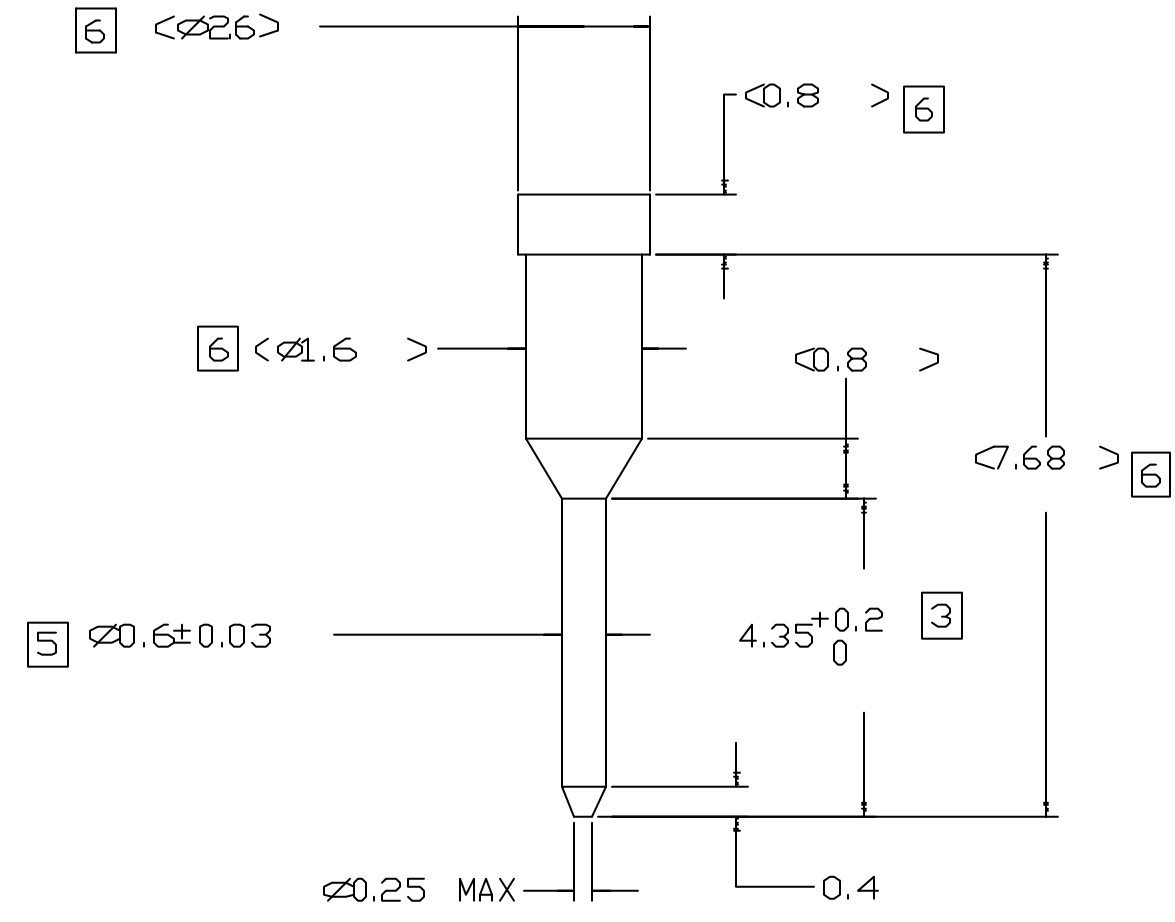
RELEASE

正式圖面 REV: A

ENG. _____ APPR. _____

MATERIAL ①	超聚科技股份有限公司 CHIAO-CHUNG TECHNOLOGY CORP.	MODEL NO. PART NO. 335C855901A DWG. NO.:
SURFACE FINISH DEGREASE	SI Metric A3	TITLE GRANTSDALE WAVE SOLDER HEATSINK
TOLERANCES UNLESS NOTED LINEAR ± 0.25 ANGLES ± 0.5°	SCALE: 1:1 SHEET 1 OF 1	DESIGNER SHIH 10/16/03 CHECKED APPROVED

- NOTES:
1. TOLERANCE: UNLESS OTHERWISE SPECIFIED
 LINEAR ± 0.25
 ANGLES $\pm 0.5^\circ$
 2. MATERIAL: PHOSPHOR BRONZE
 3. FINISH PLATING: LEAD FREE TIN (<0.2% LEAD BY WEIGHT)
 1.27 MICRO INCHES MIN. THIS AREA
 4. REMOVE ALL BURRS AND SHARP CORNERS
 5. CRITICAL TO FUNCTION DIMENSIONS
 6. SUPPLIER RESPONSIBLE FOR FEATURE SIZE



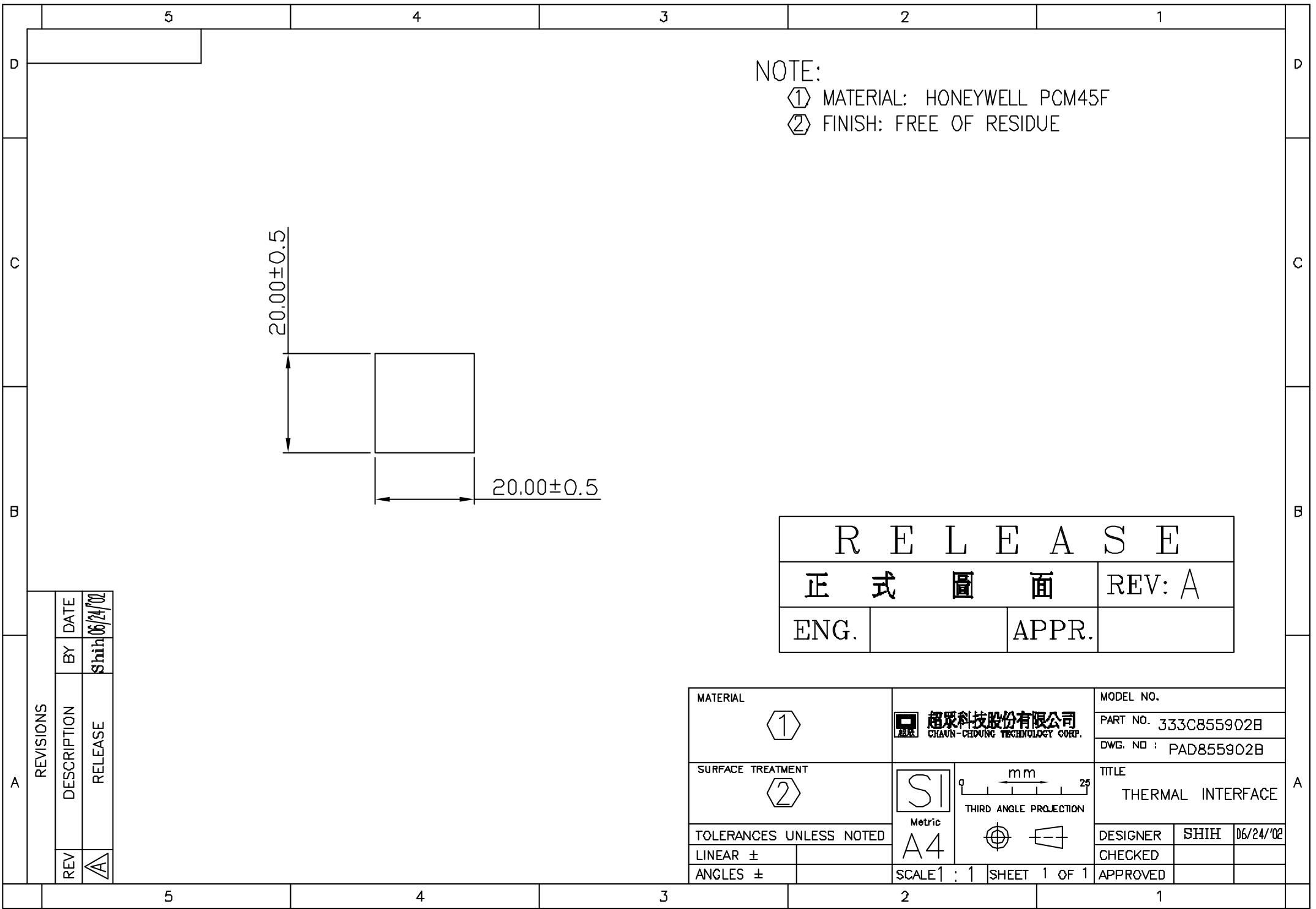
R E L E A S E

正式圖面 REV: A

ENG. APPR.

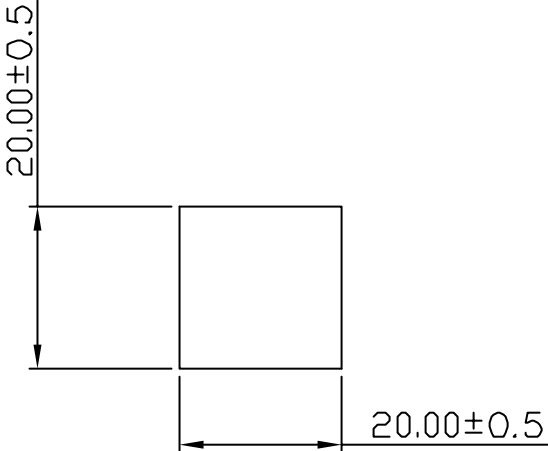
MATERIAL ②	超聚科技股份有限公司 CELEON-CHEUNG TECHNOLOGY CORP.	MODEL NO.
SURFACE FINISH ③	Metric A3	PART NO. 3321855901A DWG. NO.:
TOLERANCES UNLESS NOTED LINEAR \pm ① ANGLES \pm ①	THIRD ANGLE PROJECTION	TITLE SOLDER PIN
SCALE 1 : 1 SHEET 1 OF 1	DESIGNER SHIH 10/16/03	CHECKED
	APPROVED	

REV	DESCRIPTION	BY	DATE
1	RELEASE	SHIH	10/16/03



NOTE:

- ① MATERIAL: HONEYWELL PCM45F
- ② FINISH: FREE OF RESIDUE



RELEASE			
正式圖面			REV: A
ENG.		APPR.	

REVISIONS	
DESCRIPTION	BY DATE
RELEASE	Shih 06/24/02
REV	△

MATERIAL ①	超眾科技股份有限公司 CHUAN-CEIDUNG TECHNOLOGY CORP.	MODEL NO.	
		PART NO. 333C855902B	
SURFACE TREATMENT ②	mm THIRD ANGLE PROJECTION 	DWG. NO : PAD855902B	
		TITLE THERMAL INTERFACE	
TOLERANCES UNLESS NOTED		DESIGNER	SHIH 06/24/02
LINEAR ±		CHECKED	
ANGLES ±		APPROVED	
SCALE 1 : 1		SHEET 1 OF 1	