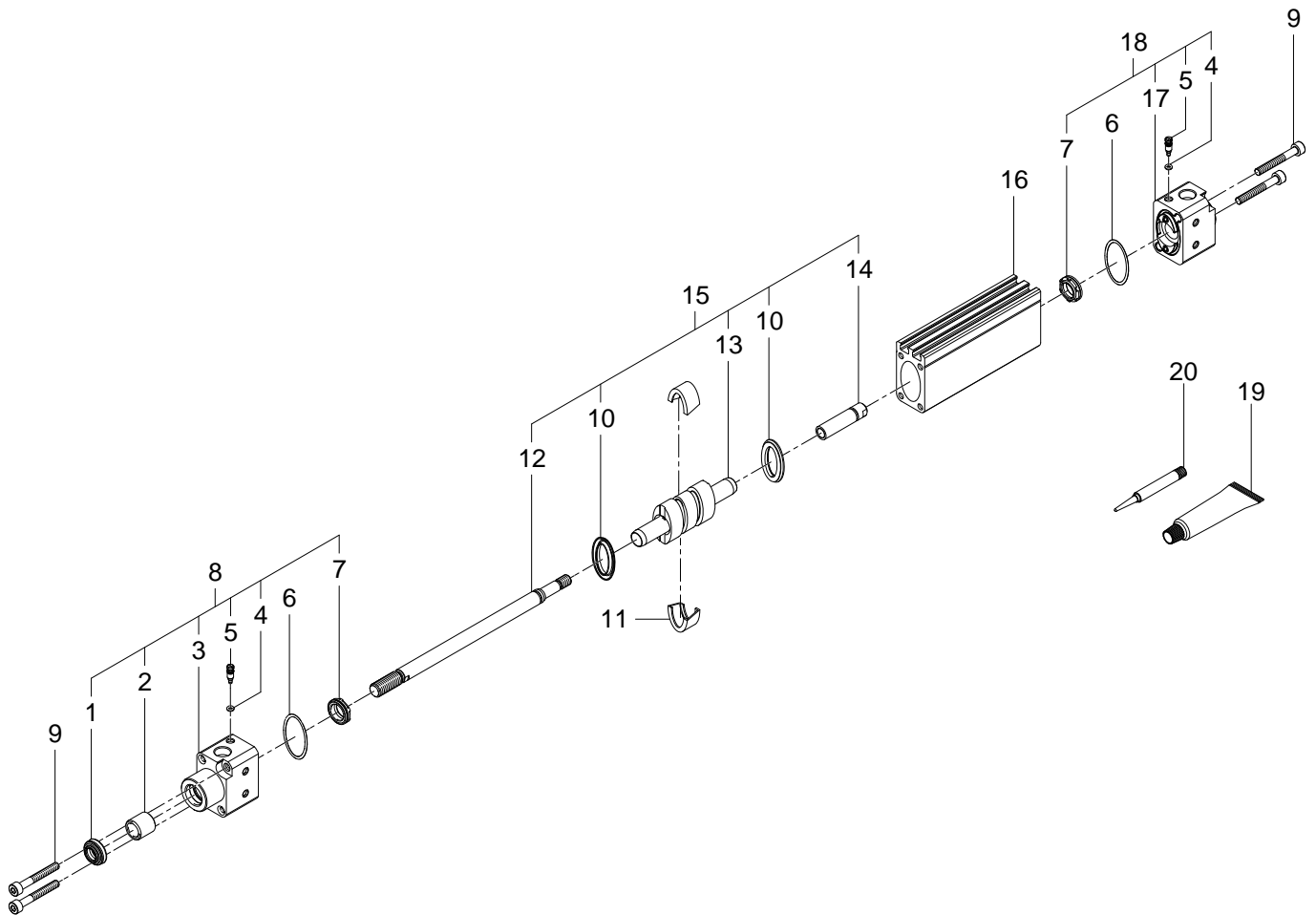


151135 DZH-20-40-PPV-A Flat cylinder - Series: All



151135 DZH-20-40-PPV-A Flat cylinder - Series: All

Pos.	Part no.	Type	Note	Qty.	Unit
A	121126	DZH- 20- PPVA Set of wearing parts	Spare parts: 1, 6, 7, 10, 11	1	PC
1	386132	WIFC4-8X14,2X5,2-TPE-U Wiper seal	Grease using during assembly. See position 19	1	PC
2		SINT-C50 8X12X12 Cylinder bearing	Not available separately, see position 8	1	PC
3		DZH-20-PPV:MA Bearing cap	Not available separately, see position 8	1	PC
4		B-1,8X1,2-N-NBR75 O-ring ISO3601	Not available separately, see position 8+18 Grease using during assembly. See position 19	2	PC
5		DSNU-25-PPV adjusting screw	Not available separately, see position 8+18	2	PC
6		B-20X1-N-NBR70 O-ring ISO3601	Not available separately, see position A Grease using during assembly. See position 19	2	PC
7		DIFC1-9,5X15X4,6-TPE-U Buffer seal	Not available separately, see position 8+18+999 Grease using during assembly. See position 19	2	PC
8	118847	DZH-20-PPV Bearing cap module		1	PC
9	693435	SF-F-I-M4X30-10.9 self-tapping screw	Use locking compound. See position 20 Tightening torque 3 Nm / 2.2 lbf ft	4	PC
10		LEFO1-26/15.4-2.45-TPE-U Lip seal	Not available separately, see position 15+999 Grease using during assembly. See position 19	2	PC
11		DZH-20 Guiding band	Not available separately, see position A Grease using during assembly. See position 19	2	PC
12		ARA-08-X0060,0-A1A6G Piston rod	Not available separately, see position 15	1	PC
13		DZH-20 Piston	Not available separately, see position 15	1	PC
14		DZH-20-PPV-A Threaded coupling	Not available separately, see position 15 Tightening torque 4.0 Nm / 3.0 lbf ft	1	PC
15	116270	DZH-20- -PPV-A Piston rod module	When ordering please specify the stroke (see type plate)	1	PC
16		DZH-20- Cylinder barrel	Not available Grease using during assembly. See position 19	1	PC
17		DZH-20-PPV:MA End cap	Not available separately, see position 18	1	PC
18	118848	DZH-20-PPV End cap module		1	PC
19	684474	LUB-KC1 SILIKONFREI 20ML Lubricating grease		1	PC
20	8181256	CYBERBOND TM44 TB1ML Adhesive bonding agent		1	PC