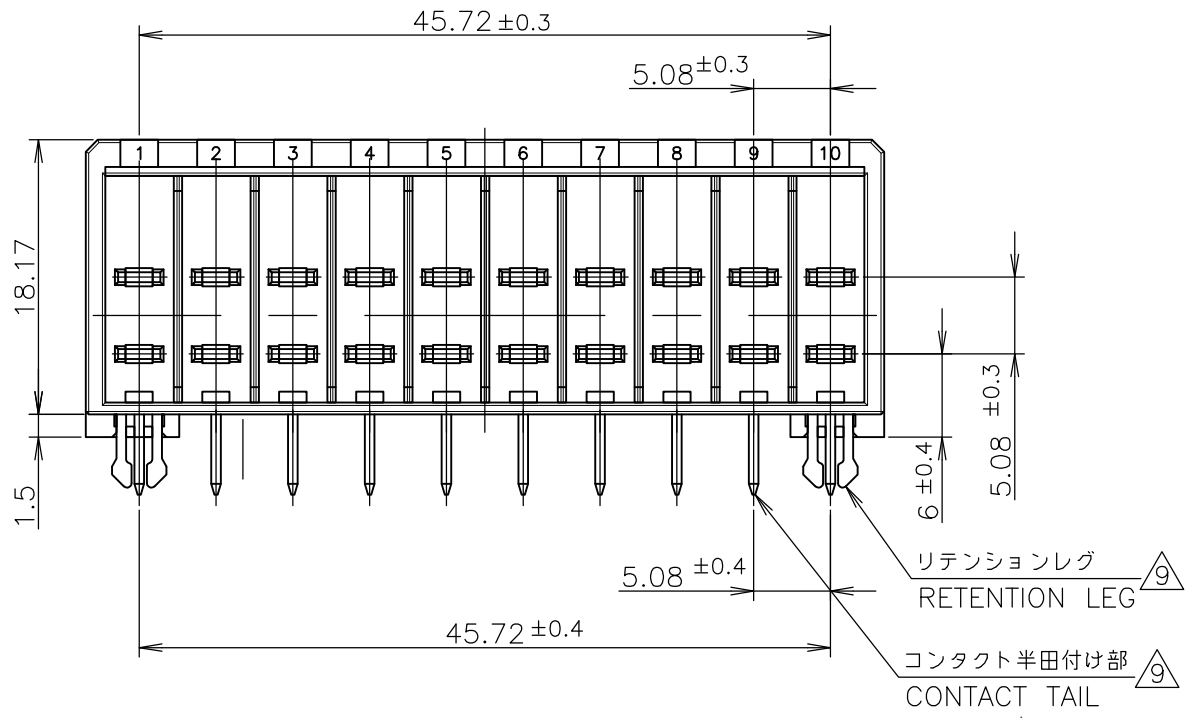
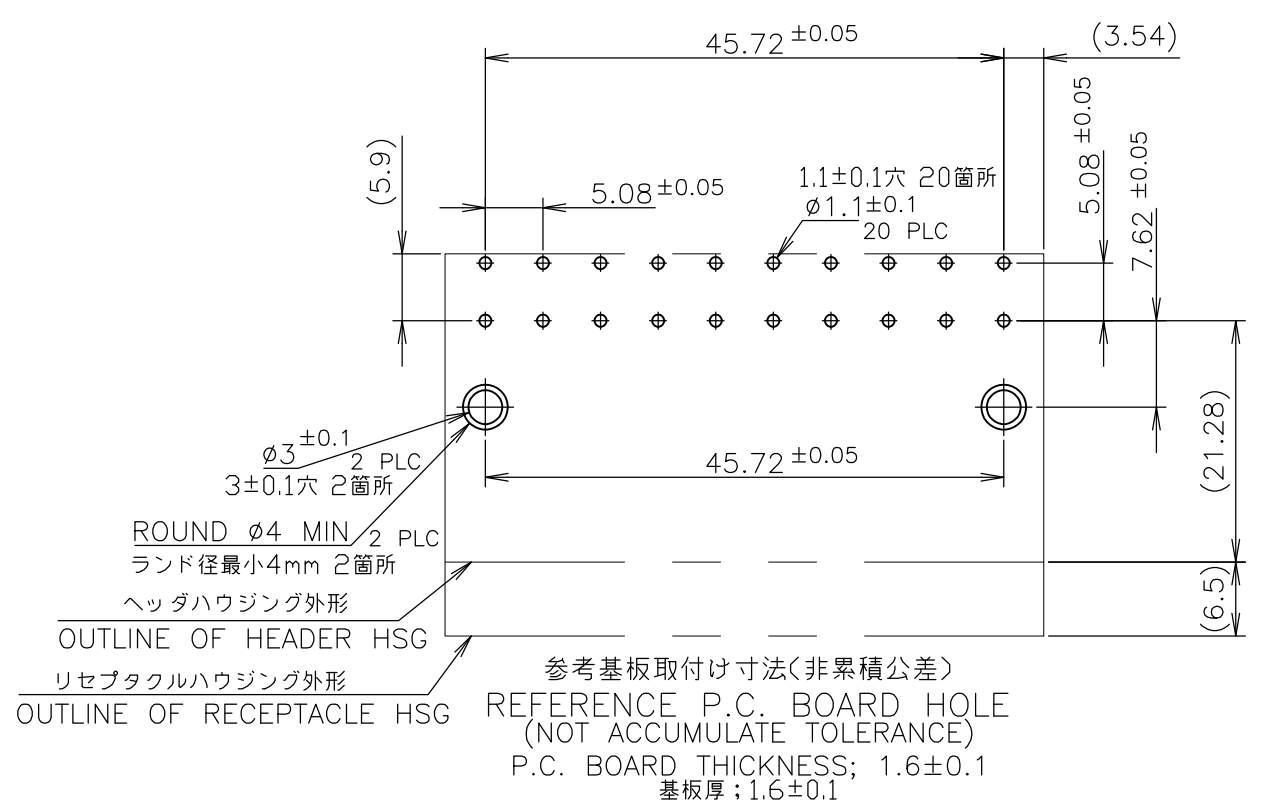
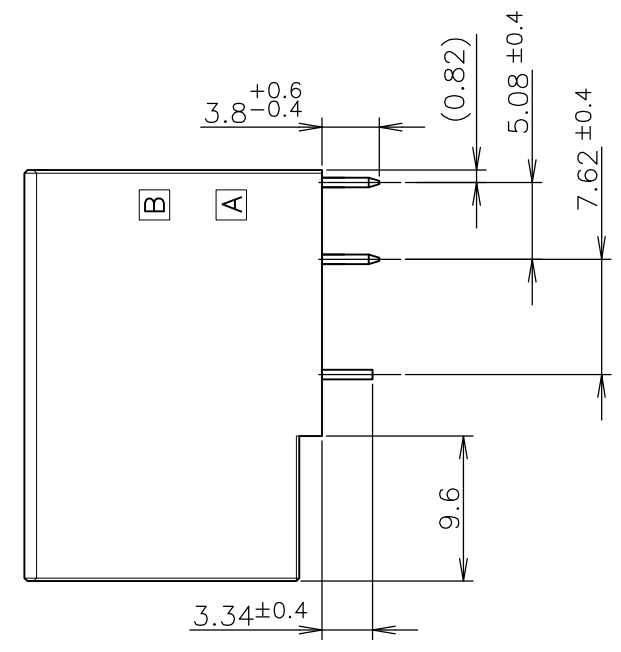
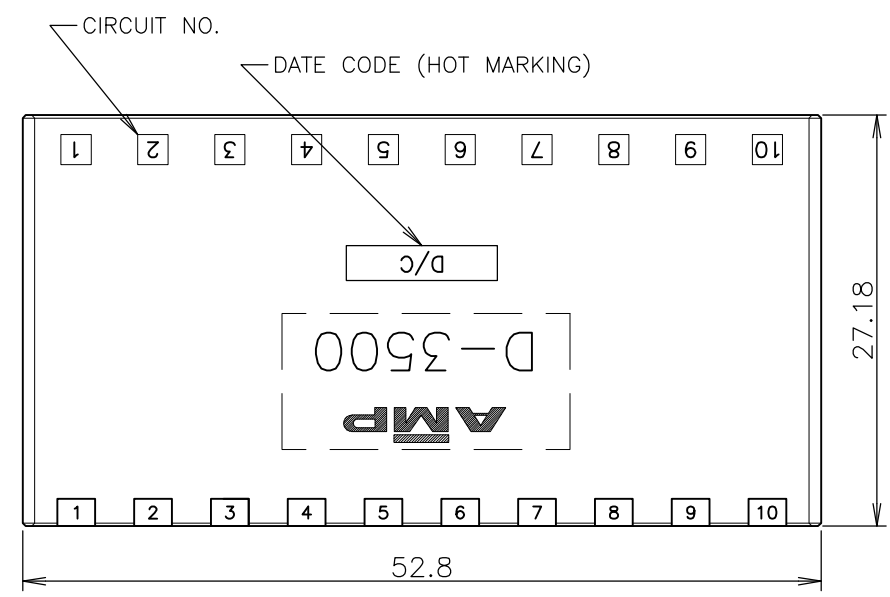
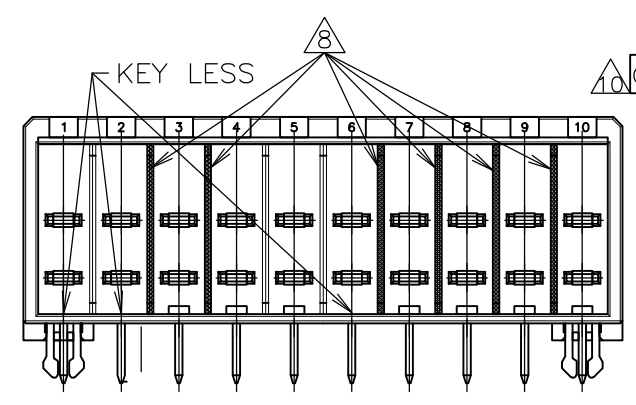


THIS DRAWING IS UNPUBLISHED. RELEASED FOR PUBLICATION MAR, 1992.
 © COPYRIGHT 1992 By - ALL RIGHTS RESERVED.

LOC	DIST	REVISIONS					
		P	LTR	DESCRIPTION	DATE	DWN	APVD
J	/	G2		REVISED PER ECO-11-005030	11MAR11	RK	HMR



- | | |
|-----------------------------------|--|
| 1 材料; 熱可塑性ポリエステル樹脂(ガラス入り)
色; 黒 | 1 MATERIAL; GLASS FIELD THERMO PLASTIC, POLYESTER.
COLOR; BLACK |
| 2 製品規格; 108-5349 | 2 PRODUCT SPEC; 108-5349 |
| 3 製品認定報告書; 501-5013 | 3 QUALIFICATION TEST REPORT; 501-5013 |
| ④ 接触部仕上; ニッケル下地0.38 μMIN.金めっき | ④ FINISH (CONTACT AREA); 0.38u MIN. GOLD PLT. OVER NICKEL. |
| ⑤ 接触部仕上; ニッケル下地0.76 μMIN.金めっき | ⑤ FINISH (CONTACT AREA); 0.76u MIN. GOLD PLT. OVER NICKEL. |
| ⑥ 接触部仕上; ニッケル下地2.0 μMIN.すずめっき | ⑥ FINISH (CONTACT); 2.0u MIN. TIN PLT. OVER NICKEL. |
| ⑦ レグおよび脚部仕上; ニッケル下地半田めっき | ⑦ FINISH (RETENTION LEG AND CONTACT TAIL);
TIN LEAD PLT. OVER NICKEL. |
| ⑧ 6箇所マーキング、白 | ⑧ 6 PLACES MARKING, WHITE |
| ⑨ レグおよび脚部仕上; ニッケル下地すずめっき | ⑨ FINISH (RETENTION LEG AND CONTACT TAIL); TIN PLT. OVER NICKEL. |
| ⑩ OBSOLETE PARTS | ⑩ OBSOLETE PARTS: OBSOLETE CIS STREAMLINING PER D.RENAUD/D.SINISI |



⑩ OBSOLETE	⑨ ④	3-175365-2	⑧
	⑨ ⑥	175365-5	
	⑨ ⑤	175365-3	
	⑨ ④	175365-2	
FINISH	型番	PART NUMBER	マーキング
			MARKING

GENERAL TOLERANCE
一般公差

10 ≥ :	±0.2
30 ≥ > 10:	±0.25
100 ≥ > 30:	±0.3
ANGLES:	±3°

THIS DRAWING IS A CONTROLLED DOCUMENT.

DIMENSIONS: 単位: 耗 mm	TOLERANCES UNLESS OTHERWISE SPECIFIED: 一般公差	DWN T.YONEBAYASHI 18MAR1992	TE Connectivity DYNAMIC D-3500 20 POS HDR ASSY			
	0 PLC ±-	CHK S.MANABE 07APR1992				
	1 PLC ±-	APVD S.MANABE 07APR1992				
	2 PLC ±-	NAME 名称				
	3 PLC ±-	PRODUCT SPEC 製品規格	SIZE	CAGE CODE	DRAWING NO 番号	RESTRICTED TO
	4 PLC ±-	APPLICATION SPEC 取付適用規格	A3	00779	G-175365	
	ANGLES ±-	WEIGHT	CUSTOMER DRAWING			
MATERIAL 材料	FINISH 仕上	SCALE 尺度 2:1		SHEET 1 OF 1	REV G2	
SEE NOTE 注記参照						

3-175365-2 のみ
ONLY 3-175365-2