

2214593-1 ✓ ACTIVE

zQSFP+/QSFP28

TE Internal #: 2214593-1

zQSFP+, Cage Assembly with Integrated Connector, .8mm [.032in]

Centerline, Sealable, Signal, Operating Temperature Range -40 – 85 °C [-40 – 185 °F]

[View on TE.com >](#)



Connectors > Pluggable IO Connectors & Cages



Form Factor: **zQSFP+**

Pluggable I/O Product Type: **Cage Assembly with Integrated Connector**

Centerline (Pitch): **.8 mm [.032 in]**

Sealable: **Yes**

Circuit Application: **Signal**

Features

Product Type Features

Cage Type	Stacked
Form Factor	zQSFP+
Pluggable I/O Product Type	Cage Assembly with Integrated Connector
Sealable	Yes

Configuration Features

Number of Rear EONs per Port Column	3
Number of Positions	152
Number of Ports	4
Port Matrix Configuration	2 x 2

Electrical Characteristics

Data Rate (Max)	28 Gb/s
-----------------	---------

Contact Features

Contact Current Rating (Max)	.5 A
Contact Underplating Material	Tin
Contact Mating Area Plating Material	Gold (Au)
PCB Contact Termination Area Plating Material	Gold
Contact Mating Area Plating Material Thickness	.76 µm[30 µin]



Termination Features

Termination Method to PCB	Through Hole - Press-Fit
Termination Post & Tail Length	2 mm[.079 in]

Housing Features

Cage Material	Nickel Silver
Centerline (Pitch)	.8 mm[.032 in]

Dimensions

PCB Thickness (Recommended)	1.57 mm[.062 in]
-----------------------------	------------------

Usage Conditions

Operating Temperature Range	-40 – 85 °C[-40 – 185 °F]
-----------------------------	---------------------------

Operation/Application

Pluggable I/O Applications	SFP+ Stacked Belly-to-Belly
Heat Sink Compatible	No
Circuit Application	Signal

Industry Standards

UL Flammability Rating	UL 94V-0
------------------------	----------

Packaging Features

Packaging Method	Box & Tray
------------------	------------

Other

Included Lightpipe	No
EMI Containment Feature Type	Elastomeric Gasket

Product Compliance

[For compliance documentation, visit the product page on TE.com>](#)

EU RoHS Directive 2011/65/EU	Compliant
EU ELV Directive 2000/53/EC	Compliant
China RoHS 2 Directive MIIT Order No 32, 2016	No Restricted Materials Above Threshold
EU REACH Regulation (EC) No. 1907/2006	Current ECHA Candidate List: JAN 2025 (247) Not Yet Reviewed
Halogen Content	Low Halogen - Br, Cl, F, I < 900 ppm per homogenous material. Also BFR/CFR/PVC Free



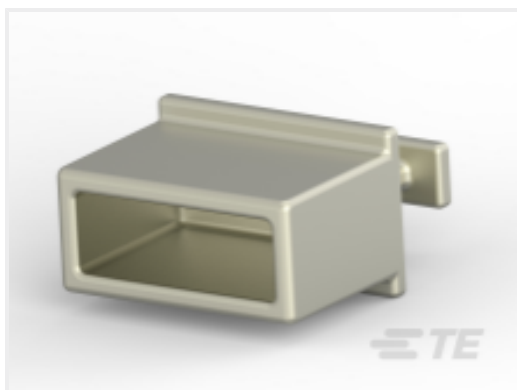
Solder Process Capability

Not applicable for solder process capability

Product Compliance Disclaimer

This information is provided based on reasonable inquiry of our suppliers and represents our current actual knowledge based on the information they provided. This information is subject to change. The part numbers that TE has identified as EU RoHS compliant have a maximum concentration of 0.1% by weight in homogenous materials for lead, hexavalent chromium, mercury, PBB, PBDE, DBP, BBP, DEHP, DIBP, and 0.01% for cadmium, or qualify for an exemption to these limits as defined in the Annexes of Directive 2011/65/EU (RoHS2). Finished electrical and electronic equipment products will be CE marked as required by Directive 2011/65/EU. Components may not be CE marked. Additionally, the part numbers that TE has identified as EU ELV compliant have a maximum concentration of 0.1% by weight in homogenous materials for lead, hexavalent chromium, and mercury, and 0.01% for cadmium, or qualify for an exemption to these limits as defined in the Annexes of Directive 2000/53/EC (ELV). Regarding the REACH Regulation, the information TE provides on SVHC in articles for this part number is based on the latest European Chemicals Agency (ECHA) 'Guidance on requirements for substances in articles' posted at this URL: <https://echa.europa.eu/guidance-documents/guidance-on-reach>

Compatible Parts

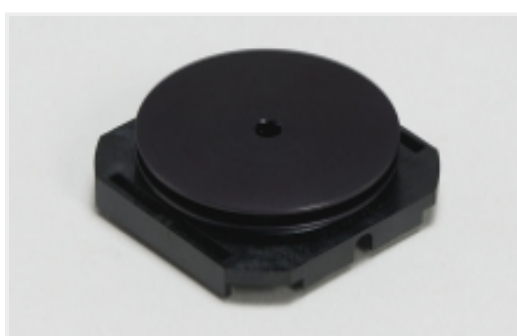


TE Part # 1888810-2
EMI/Dust Cover,XFP And QSFP

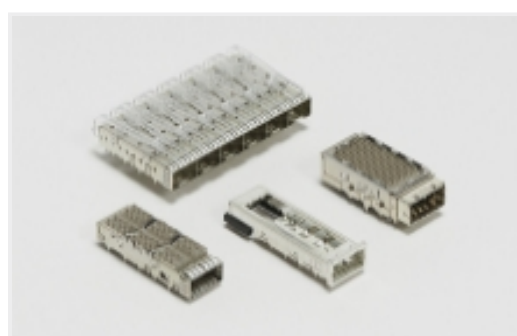


TE Part # 1551920-2
zQSFP+ connector assembly

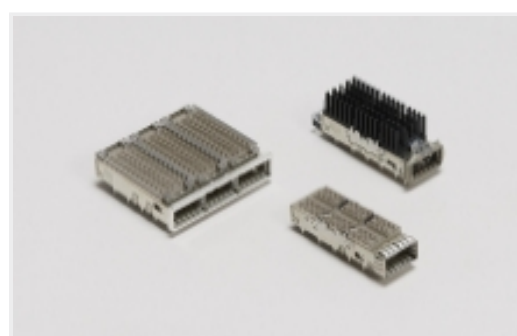
Also in the Series | zQSFP+/QSFP28



Heat Sinks(7)



Pluggable IO Connectors & Cages(424)



QSFP, QSFP+ & zQSPF+(424)

Customers Also Bought



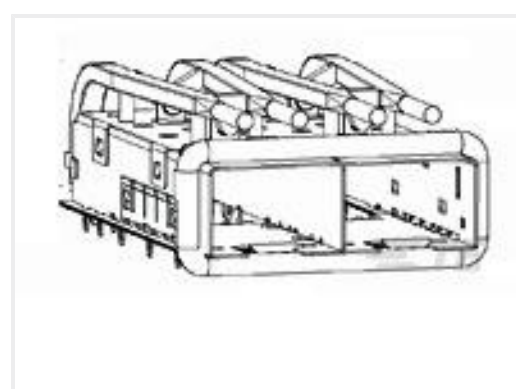
TE Part #5-2337939-3
PCIE GEN4 CON,SMT,98POS,30u",
MYLAR,HT



TE Part #5174215-2
AMPLIMITE.050 PLUG ASS'Y (M) 4



TE Part #2361493-2
ICCON INSERT SIZE 8.0mm PIN



TE Part #2198719-1
zSFP+ 1x2 Cage Assy, Press-Fit, LP



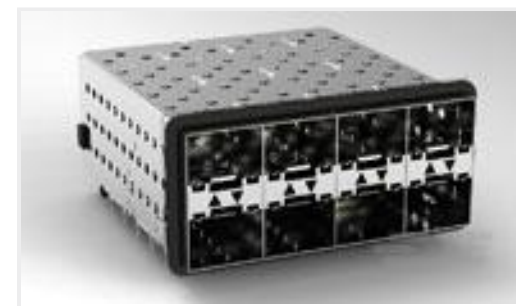
TE Part #2198234-4
SFP+ Enhanced 1x4, Net Heatsink, LP



TE Part #2-6450550-9
MBXL VERT RCPT 4P+40S+4P



TE Part #4-2170814-3
QSFP28, 1X2, CAGE ASSY, GASKET,
HS, LP



TE Part #2007399-6
SFP+assy 2x4 Gasket Inner Lp Sn



TE Part #6367555-2
ASSY Z-DOK+6 ADAPTER BRD 40PR



TE Part #2-2176324-0
SMV 3W 3M9 5%

Documents

CAD Files

3D PDF

3D

Customer View Model

[ENG_CVM_CVM_2214593-1_A.2d_dxf.zip](#)

English

Customer View Model

[ENG_CVM_CVM_2214593-1_A.3d_igs.zip](#)

English

Customer View Model

[ENG_CVM_CVM_2214593-1_A.3d_stp.zip](#)

English

By downloading the CAD file I accept and agree to the [Terms and Conditions](#) of use.

Datasheets & Catalog Pages

QSFP28/56 and zQSFP+ Interconnects

English

Product Specifications

Product Specification

English