

| | |
|----------------|--|
| STRUCTURE | Silicon monolithic integrated circuits |
| PRODUCT SERIES | Bipolar stepping motor driver |
| TYPE | BD6423EFV |
| FUNCTION | <ul style="list-style-type: none"> • PWM constant current controllable two H bridge driver • Built-in translator circuit for CLK-IN control • Full, Half, and Quarter step modes • Mix decay control |

○Absolute maximum ratings(Ta=25°C)

| Item | Symbol | Limit | Unit |
|-------------------------------|--------------------|-------------------|---------|
| Supply voltage | V _{CC1,2} | -0.2~+45.0 | V |
| Power dissipation | P _d | 1.1 ^{*1} | W |
| | | 4.0 ^{*2} | W |
| Input voltage for control pin | V _{IN} | -0.2~+5.5 | V |
| RNF maximum voltage | V _{RNF} | 0.7 | V |
| Maximum output current | I _{OUT} | 1.0 ^{*3} | A/phase |
| Operating temperature range | T _{opr} | -25~+85 | °C |
| Storage temperature range | T _{stg} | -55~+150 | °C |
| Junction temperature | T _{jmax} | 150 | °C |

^{*1} 70mm×70mm×1.6mm glass epoxy board. Derating in done at 8.8mW/°C for operating above Ta=25°C.

^{*2} 4-layer recommended board. Derating in done at 32.0mW/°C for operating above Ta=25°C.

^{*3} Do not, however exceed P_d, ASO and T_{jmax}=150°C.

○Operating conditions (Ta=-25~+85°C)

| Item | Symbol | Min | Typ | Max | Unit |
|----------------|--------------------|-----|-----|-------------------|---------|
| Supply voltage | V _{CC1,2} | 19 | 37 | 42 | V |
| Output current | I _{OUT} | - | 0.5 | 0.7 ^{*4} | A/phase |

^{*4} Do not, however exceed P_d, ASO.

This product isn't designed for protection against radioactive rays.

Status of this document

The Japanese version of this document is the formal specification.

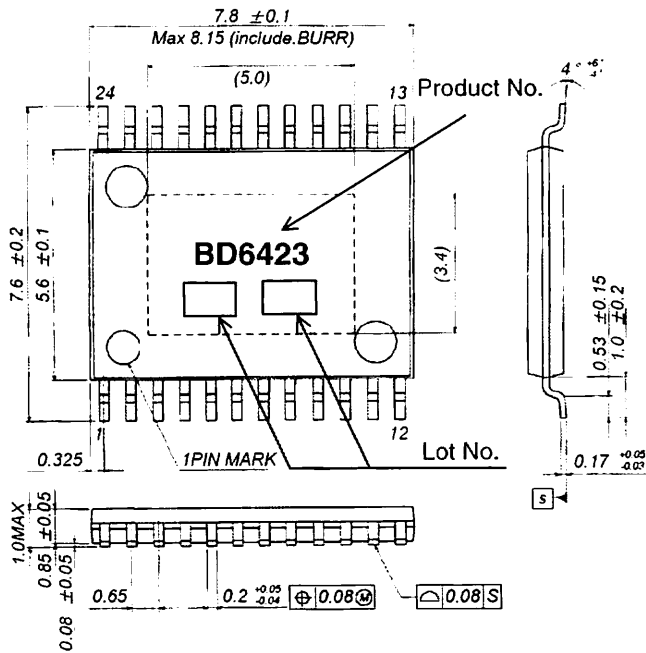
A customer may use this translation version only for a reference to help reading the formal version.

If there are any differences in translation version of this document, formal version takes priority.

○Electrical characteristics (Unless otherwise specified Ta=25°C, V_{CC1,2}=37V)

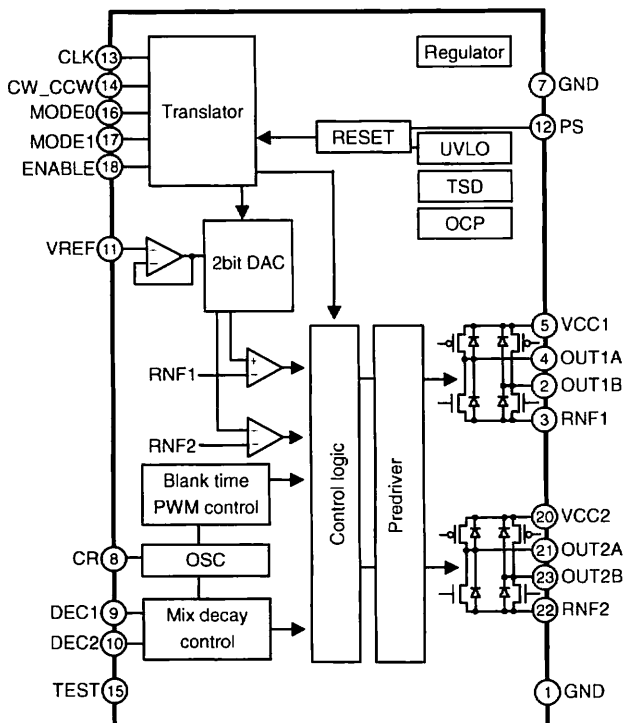
| Item | Symbol | Limit | | | Unit | Conditions |
|--|--------------------|-------|------|------|------|---|
| | | Min. | Typ. | Max. | | |
| Whole | | | | | | |
| Circuit current at standby | I _{CCST} | - | 1.0 | 2.5 | mA | PS=L |
| Circuit current | I _{CC} | - | 2.0 | 5.0 | mA | PS=H, VREF=3V |
| Control input (CLK, CW_CCW, MODE0, MODE1, ENABLE, DEC1, DEC2, PS) | | | | | | |
| H level input voltage | V _{INH} | 2.0 | - | - | V | |
| L level input voltage | V _{INL} | - | - | 0.8 | V | |
| H level input current | I _{INH} | 35 | 50 | 100 | μA | V _{IN} =5V |
| L level input current | I _{INL} | -10 | 0 | - | μA | V _{IN} =0V |
| Output (OUT1A, OUT1B, OUT2A, OUT2B) | | | | | | |
| Output ON resistance | R _{ON} | - | 2.0 | 2.6 | Ω | I _{OUT} =0.5A, Sum of upper and lower |
| Output leak current | I _{LEAK} | - | - | 10 | μA | |
| Current control | | | | | | |
| RNFX input current | I _{RNF} | -40 | -20 | - | μA | RNFX=0V |
| VREF input current | I _{VREF} | -2.0 | -0.1 | - | μA | VREF=0V |
| VREF input voltage range | V _{REF} | 0 | - | 3.0 | V | |
| Comparator threshold | V _{CTH} | 0.57 | 0.60 | 0.63 | V | VREF=3V |
| Minimum on time (Blank time) | t _{ONMIN} | 0.5 | 1.5 | 3.0 | μs | C=470pF, R=82kΩ |

○Package outline



HTSSOP-B24 (Unit:mm)

○Block diagram



○Pin No. / Pin name

| Pin No. | Pin name | Pin No. | Pin name |
|---------|----------|---------|----------|
| 1 | GND | 13 | CLK |
| 2 | OUT1B | 14 | CW_CCW |
| 3 | RNF1 | 15 | TEST |
| 4 | OUT1A | 16 | MODE0 |
| 5 | VCC1 | 17 | MODE1 |
| 6 | NC | 18 | ENABLE |
| 7 | GND | 19 | NC |
| 8 | CR | 20 | VCC2 |
| 9 | DEC1 | 21 | OUT2A |
| 10 | DEC2 | 22 | RNF2 |
| 11 | VREF | 23 | OUT2B |
| 12 | PS | 24 | NC |

NC : Non Connection

○Operation Notes

- (1) Absolute maximum ratings

An excess in the absolute maximum ratings, such as supply voltage, temperature range of operating conditions, etc., can break down the devices, thus making impossible to identify breaking mode, such as a short circuit or an open circuit. If any over rated values will expect to exceed the absolute maximum ratings, consider adding circuit protection devices, such as fuses.
- (2) Power supply lines

As return of current regenerated by back EMF of motor happens, take steps such as putting capacitor between power supply and GND as an electric pathway for the regenerated current. Be sure that there is no problem with each property such as emptied capacity at lower temperature regarding electrolytic capacitor to decide capacity value. If the connected power supply does not have sufficient current absorption capacity, regenerative current will cause the voltage on the power supply line to rise, which combined with the product and its peripheral circuitry may exceed the absolute maximum ratings. It is recommended to implement a physical safety measure such as the insertion of a voltage clamp diode between the power supply and GND pins.
- (3) GND potential

The potential of GND pin must be minimum potential in all operating conditions.
- (4) Metal on the backside (Define the side where product markings are printed as front)

The metal on the backside is shorted with the backside of IC chip therefore it should be connected to GND. Be aware that there is a possibility of malfunction or destruction if it is shorted with any potential other than GND.
- (5) Thermal design

Use a thermal design that allows for a sufficient margin in light of the power dissipation (Pd) in actual operating conditions. This IC exposes its frame of the backside of package. Note that this part is assumed to use after providing heat dissipation treatment to improve heat dissipation efficiency. Try to occupy as wide as possible with heat dissipation pattern not only on the board surface but also the backside.
- (6) Actions in strong electromagnetic field

Use caution when using the IC in the presence of a strong electromagnetic field as doing so may cause the IC to malfunction.
- (7) ASO

When using the IC, set the output transistor so that it does not exceed absolute maximum ratings or ASO.
- (8) Thermal shutdown circuit

The IC has a built-in thermal shutdown circuit (TSD circuit). If the chip temperature becomes $T_{jmax}=150^{\circ}\text{C}$, and higher, coil output to the motor will be open. The TSD circuit is designed only to shut the IC off to prevent runaway thermal operation. It is not designed to protect or indemnify peripheral equipment. Do not use the TSD function to protect peripheral equipment.
- (9) Ground Wiring Pattern

When using both large current and small signal GND patterns, it is recommended to isolate the two ground patterns, placing a single ground point at the ground potential of application so that the pattern wiring resistance and voltage variations caused by large currents do not cause variations in the small signal ground voltage. Be careful not to change the GND wiring pattern of any external components, either.
- (10) Mounting errors

When attaching to a printed circuit board, pay attention to the direction of the IC and displacement. Improper attachment may lead to destruction of the IC.
- (11) TEST pin

Be sure to connect TEST pin to GND.

Notes

- No technical content pages of this document may be reproduced in any form or transmitted by any means without prior permission of ROHM CO.,LTD.
- The contents described herein are subject to change without notice. The specifications for the product described in this document are for reference only. Upon actual use, therefore, please request that specifications to be separately delivered.
- Application circuit diagrams and circuit constants contained herein are shown as examples of standard use and operation. Please pay careful attention to the peripheral conditions when designing circuits and deciding upon circuit constants in the set.
- Any data, including, but not limited to application circuit diagrams information, described herein are intended only as illustrations of such devices and not as the specifications for such devices. ROHM CO.,LTD. disclaims any warranty that any use of such devices shall be free from infringement of any third party's intellectual property rights or other proprietary rights, and further, assumes no liability of whatsoever nature in the event of any such infringement, or arising from or connected with or related to the use of such devices.
- Upon the sale of any such devices, other than for buyer's right to use such devices itself, resell or otherwise dispose of the same, no express or implied right or license to practice or commercially exploit any intellectual property rights or other proprietary rights owned or controlled by
- ROHM CO., LTD. is granted to any such buyer.
- Products listed in this document are no antiradiation design.

The products listed in this document are designed to be used with ordinary electronic equipment or devices (such as audio visual equipment, office-automation equipment, communications devices, electrical appliances and electronic toys).

Should you intend to use these products with equipment or devices which require an extremely high level of reliability and the malfunction of which would directly endanger human life (such as medical instruments, transportation equipment, aerospace machinery, nuclear-reactor controllers, fuel controllers and other safety devices), please be sure to consult with our sales representative in advance.

It is our top priority to supply products with the utmost quality and reliability. However, there is always a chance of failure due to unexpected factors. Therefore, please take into account the derating characteristics and allow for sufficient safety features, such as extra margin, anti-flammability, and fail-safe measures when designing in order to prevent possible accidents that may result in bodily harm or fire caused by component failure. ROHM cannot be held responsible for any damages arising from the use of the products under conditions out of the range of the specifications or due to non-compliance with the NOTES specified in this catalog.

Thank you for your accessing to ROHM product informations.

More detail product informations and catalogs are available, please contact your nearest sales office.

ROHM Customer Support System

THE AMERICAS / EUROPE / ASIA / JAPAN

www.rohm.com

Contact us : webmaster@rohm.co.jp