

**APPROVED SOURCE FOR CABLE**

1. BAO HING(SHENZHEN).
2. TA HSING(SHENZHEN).

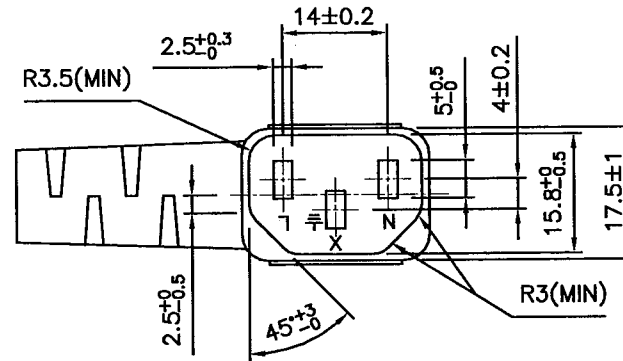
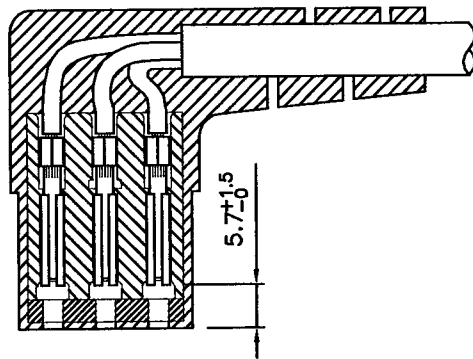
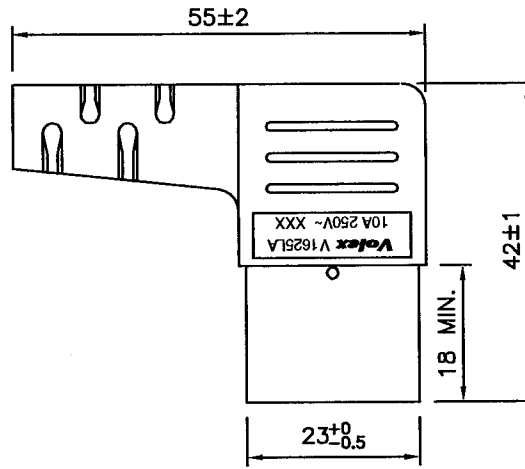
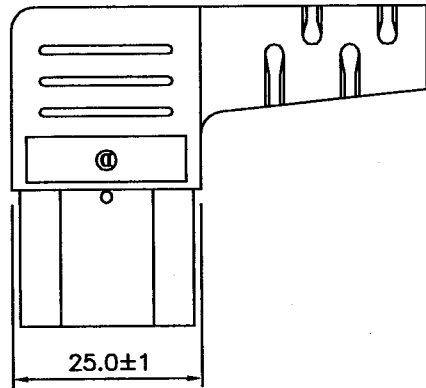
**NOTE :**

1. ALL DIMENSIONS IN mm.
2. THE CORD SHALL COMPLY WITH EN 50525-2-11.
3. THE MOLDED CONNECTOR SHALL COMPLY WITH IEC 60320-1 OR EN 60320-1.
4. LABEL DETAILS : REFER TO LABEL DWG. NO. : VL-T265.
5. THIS PART CAN MANUFACTURED AT ANY LOCATION WHICH HAS SAFETY APPROVAL.

5	PRINTED LABEL	VL-T265	1
4	BAG LDPE 283X114X0.05 PRT (04)	904028	1
3	6" PE TIE BLK	6310056	1
	IP60G NL7976B BLK	4100115	-
2	MOLDED CONNECTOR V1625LA (10A 250V)	V1625LA	1
1	H05W-F 3X1.00 BLK PVC LEAD FREE	1210365	1

S/N	DESCRIPTION	ITEM NUMBER	QTY
TITLE : EUROPEAN POWER SUPPLY CORD (PB FR)		SCALE : N.T.S.	
CUSTOMER : VPE/RS COMPONENTS		PAGE : 1/1	
CUSTOMER PART NUMBER : 7440929		ISSUE	
Reference Number : 144307/3 (EHG03-004-14)		001	
SALES :	QA :	ENGRG :	CHECKED BY : DRAWN BY :
			MAYING
Date :	Date :	Date :	Date :
		1/4/14	01/04/14
			Date : 01/04/14
<b>Voilex (Asia) Pte Ltd</b>			
<small>Confidential property of Voilex. Information contained herein shall not be disclosed to others, reproduced or used for any other purpose except as authorized in writing by an authorized official of voilex asia.</small>			

REV.	DESCRIPTION	DATE
F	ADD IN MANU. LOCATION 'BATAM'.	28/02/12
G	ADD IN MANU. LOCATION 'ZHONGSHAN'.	22/01/13
	ADD IN MANU. LOCATION MARK 'SMI'.	



**Volex V1625LA**  
10A 250V~ XXX



**MARKING DETAILS**

**NOTES :**

- 1.) ALL DIMENSIONS IN mm.
- 2.) X - CAVITY NO. (OPTIONAL)
- 3.) XXX- MANUFACTURING LOCATION

G	HG	HENG GANG (CHINA)	X	DRAWN	HONGYAN	22/01/13	FILE NAME :	TITLE : <b>MOLDED CONNECTOR</b>  <b>V1625LA</b>
	SM1/SMI	ZHONGSHAN (CHINA)	X	CHECK	<i>hongyan</i>	22/01/13	A-CONN/EURO/ GENERAL/V1625LA -EUROPEAN	
	VH	HANOI (VIETNAM)		APPR	<i>Jing</i>	22/1/13		
	B	BATAM (INDONESIA)	X	REV.	G	SCALE	N.T.S.	
	VC	CHENNAI (INDIA)		REFERENCE :  <b>EUROPEAN APPROVAL</b>				<b>Volex (Asia) Pte Ltd</b>  <small>Confidential property of Volex. Information contained herein shall not be disclosed to others, reproduced or used for any other purpose except as authorized in writing by an authorized official of Volex Asia.</small>
MANUFACTURE LOCATION MARK (* X * IS APPLICABLE ONLY)								