
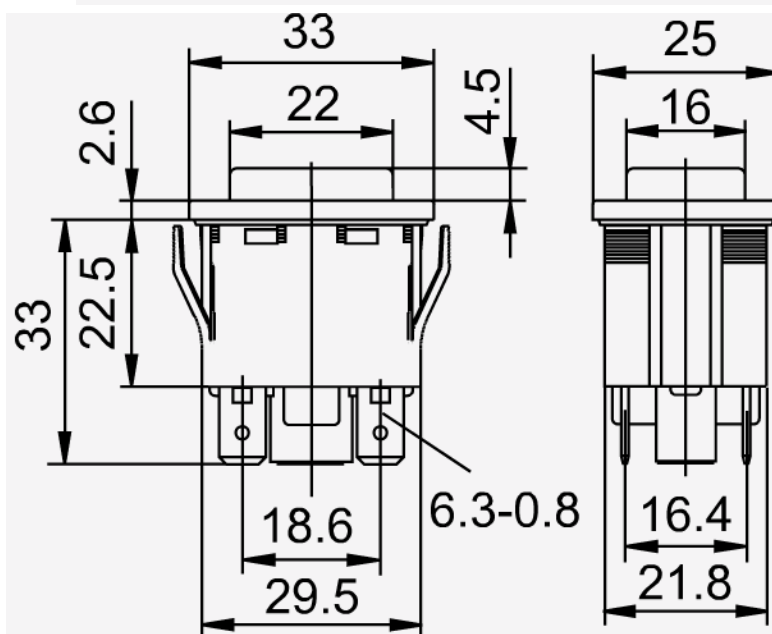


MARQUARDT



Product number	1671.5201
Actuator color / printing	
Switching function	ON / OFF switch (DPST)
Number of poles	2-pole
connections	Quick-connect terminal, 6.3
Mechanical life endurance	5E4
Rating IEC	16 (4) A 250 V AC 1E4
Contact resistance (new condition)	< 100 (1 A 12 V DC) mOhm
Insulation resistance (new condition)	> 100 (500 V DC) MOhm
Proof tracking	250 PTI
Protection type	Connection IP 54
Ambient temperature	-20 °C ... +85 °C
Ambient temperature	-20 °C ... +55 °C
Flammability	UL 94 V-2
Glow wire test temperature	850 °C
Actuators and additional actuators	PA, black
Housing description	PA, black, PA glass fiber-reinforced, natural
Connection surface	external connection Cu
Contact material	Ag
Contact distance	≥ 3 mm
Plug force of the terminals	≤ 80 N
Operating force	approx. 8 N
Approval marks	ENEC 05
Suitable for appliances of protection class	II



X	Y	Z
0.8 ... 5.0	30 +0.15	22.2 +0.15
X = wall thickness		