

1. PLUG HOUSING TO BE MATED: SEE TABLE-1.
 2. DETAIL OF TERMINALS TO BE MATED: SEE TABLE-2.
 3. RECOMMENDED SCREW: PAN-HEADED, TYPE 2 TAPPING SCREW, NOMINAL DIAMETER 3mm LENGTH: SEE TABLE-3 (JIS B1115, B1122). FASTENING TORQUE FOR SCREW (FOR REFERENCE): 0.392N·m MAX.
 4. AS FOR THE HANDLING OF THIS PRODUCT, FOLLOW THE INSTRUCTION SHEET No.: 411-5928, 411-78080
 5. 本品の取扱いについては、取扱説明書 No.: 411-5928, 411-78080に準じます。
- △ MEASURED AT 6mm FROM [-Z-]
 △ IDENTIFICATION MARK OF THE CONTACT FINISH; SEE TABLE.
 △ MEASURED AT 2mm FROM [-Z-]
 △ PRELIMINARY - NOT RELEASED FOR PRODUCTION.
 △ CIRCUIT NUMBER: SEE FIG. 1
 △ NO IDENTIFICATION MARK OF CONTACT FINISH AND ID MARK
 △ GOLD PLATING POSITION: SEE SHEET 20F3.
 △ ID MARK, PART NUMBER INDICATED.

TABLE-3

プリント基板板厚 (mm) THICKNESS OF PCB (mm)	1.2	1.6
固定用ねじ着下長さ (mm) NOMINAL LENGTH OF SCREW (mm)	5	6

TABLE-1

POS 極数	TYPE	FEMALE HSG ヌスハウジング TE P/N
40	CRIMP	1318389(1), 1674312(111)
40	IDC	1318691 1318695

TABLE-2

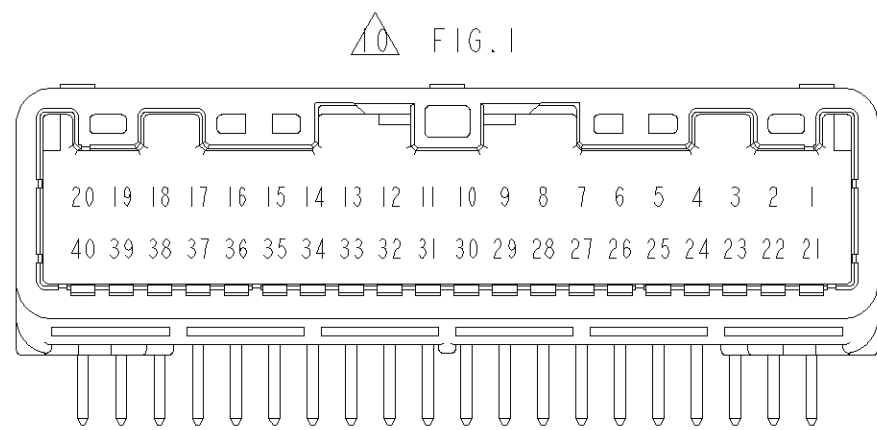
POS 極数	APPLICABLE WIRE RANGE (FEMALE) 適用電線 (メス)
SIGNAL 025	CAVS/CAVUS 0.22~0.5mm ² AVSS/AVSSH 0.3~0.5mm ²

DIMENSIONS: 単位: mm 	TOLERANCES UNLESS OTHERWISE SPECIFIED: 公差: mm = ± 0.3 0-PLC ± 1-PLC ± 2-PLC ± 3-PLC ± 4-PLC ± ANGLES SEE TABLE	OWN: N. YASUDA CHK: N. SAI APVD: N. SAI PRODUCT SPEC: 108-5660 108-5668, 108-5931 APPLICATION SPEC 取扱説明書 WEIGHT: SEE TABLE CUSTOMER DRAWING	Tyco Electronics Corporation Kawasaki, Japan 025 SERIES 40 POSITION (PCB H-TYPE) CAP HOUSING ASSEMBLY SIZE: A11 CASE CODE: 00779 DRAWING NO: 1318384 SHEET 1 OF 3 REV C1
---------------------------	---	---	--

THIS DRAWING IS UNPUBLISHED. RELEASED FOR PUBLICATION 20
 © COPYRIGHT 20 BY TYCO ELECTRONICS CORPORATION. ALL RIGHTS RESERVED.

LOC	DIST	REVISIONS					
		P	LTR	DESCRIPTION	DATE	DWN	APVD
J	-	-	-	SEE SHEET 1	-	-	-

MARKING	WEIGHT(g)	V	GOLD PLATING POSITION	PACKING STYLE	CONTACT FINISH	HOUSING	PART NUMBER		
15	8.4	∅2.63	9-11,13,14,16 29-31,33,34,36-40	PLASTIC BOX 通い箱	PLASTIC TUBE プラスチックチューブ	SELECTIVE-TIN (MATTE) SELECTIVE-TIN (BRIGHT) × 24 SELECTIVE GOLD × 16	SPS GF17 BLACK 2-1318384-3		
13	8.4	∅2.63	9-11,13,14,16 29-31,33,34,36	PLASTIC BOX 通い箱	PLASTIC TUBE プラスチックチューブ	SELECTIVE-TIN (MATTE) SELECTIVE-TIN (BRIGHT) × 28 SELECTIVE GOLD × 12	SPS GF17 NATURAL 2-1318384-0		
60	9.6	∅2.4	1~40	PAPER BOX タンボール箱	PLASTIC TUBE プラスチックチューブ	SELECTIVE-TIN (MATTE) SELECTIVE GOLD × 40	PBT GF15 NATURAL 6318384-5		
9	9.6	∅2.4	—//—	PAPER BOX タンボール箱	PLASTIC TUBE プラスチックチューブ	SELECTIVE-TIN (MATTE) SELECTIVE-TIN × 40 (BRIGHT)	PBT GF15 NATURAL 1-1318384-9		
12	9.6	∅2.4	8-13,28-33	PAPER BOX タンボール箱	PLASTIC TUBE プラスチックチューブ	SELECTIVE-TIN (MATTE) SELECTIVE-TIN (BRIGHT) × 28 SELECTIVE GOLD × 12	PBT GF15 NATURAL 1-1318384-8		
11	8.4	∅2.63	6-8,10,11,25 27,28,30,31	PLASTIC BOX 通い箱	PLASTIC TUBE プラスチックチューブ	SELECTIVE-TIN (MATTE) SELECTIVE-TIN (BRIGHT) × 30 SELECTIVE GOLD × 10	SPS GF17 NATURAL 1-1318384-7		
10	9.6	∅2.4	6-8,10,11,25 27,28,30,31	PLASTIC BOX 通い箱	PLASTIC TUBE プラスチックチューブ	SELECTIVE-TIN (MATTE) SELECTIVE-TIN (BRIGHT) × 30 SELECTIVE GOLD × 10	PBT GF15 NATURAL 1-1318384-6		
10	9.6	∅2.4	6-8,10,11,25 27,28,30,31	PAPER BOX タンボール箱	PLASTIC TUBE プラスチックチューブ	SELECTIVE-TIN (MATTE) SELECTIVE-TIN (BRIGHT) × 30 SELECTIVE GOLD × 10	PBT GF15 NATURAL 1-1318384-5		
9	9.6	∅2.4	—//—	PAPER BOX タンボール箱	PLASTIC TUBE プラスチックチューブ	SELECTIVE-TIN (MATTE) SELECTIVE-TIN × 40 (BRIGHT)	PBT GF15 BLACK 1-1318384-4		
8	8.4	∅2.63	—//—	PAPER BOX タンボール箱	PLASTIC TUBE プラスチックチューブ	SELECTIVE-TIN (MATTE) SELECTIVE-TIN × 40 (BRIGHT)	SPS GF17 NATURAL 1-1318384-3		
8	8.4	∅2.63	—//—	PLASTIC BOX 通い箱	PLASTIC TUBE プラスチックチューブ	SELECTIVE-TIN (MATTE) SELECTIVE-TIN × 40 (BRIGHT)	SPS GF17 NATURAL 1-1318384-2		
OBSOLETE	—6—	9.6	∅2.4	—//—	PAPER BOX タンボール箱	PLASTIC TUBE プラスチックチューブ	SELECTIVE-TIN PRE-TIN × 40	PBT GF15 NATURAL 1-1612446-0	
7	9.6	∅2.4	∅2.4	—//—	PLASTIC BOX 通い箱	PLASTIC TUBE プラスチックチューブ	PRE-TIN × 40	PBT GF15 BLACK 1-1318384-0	
OBSOLETE	6	9.6	∅2.4	—//—	PLASTIC BOX 通い箱	PLASTIC TUBE プラスチックチューブ	SELECTIVE-TIN PRE-TIN × 40	PBT GF15 NATURAL 1318384-9	
OBSOLETE	—5—	9.6	∅2.4	—//—	PAPER BOX タンボール箱	PLASTIC TUBE プラスチックチューブ	SELECTIVE-TIN PRE-TIN × 28 SELECTIVE GOLD × 12	PBT GF15 NATURAL 1318384-8	
—//—	—//—	9.6	∅2.4	—//—	PAPER BOX タンボール箱	PLASTIC TUBE プラスチックチューブ	TIN LEAD SELECTIVE GOLD × 40	PBT GF15 NATURAL 1318384-5	
4	9.6	∅2.4	6-8,10,11,25 27,28,30,31	PLASTIC BOX 通い箱	PLASTIC TUBE プラスチックチューブ	SELECTIVE-TIN PRE-TIN × 30 SELECTIVE GOLD × 10	PBT GF15 NATURAL 1318384-7		
OBSOLETE	—4—	9.6	∅2.4	—//—	PAPER BOX タンボール箱	PLASTIC TUBE プラスチックチューブ	SELECTIVE-TIN PRE-TIN × 30 SELECTIVE GOLD × 10	PBT GF15 NATURAL 1318384-6	
3	9.6	∅2.4	∅2.4	—//—	PAPER BOX タンボール箱	PLASTIC TUBE プラスチックチューブ	POST-TIN × 40	PBT GF15 NATURAL 1318384-4	
—//—	—//—	9.6	∅2.4	—//—	—//—	—//—	—//—	—//—	1318384-3
1	9.6	∅2.4	∅2.4	—//—	PAPER BOX タンボール箱	PLASTIC TUBE プラスチックチューブ	PRE-TIN × 40	PBT GF15 NATURAL 1318384-2	
1	9.6	∅2.4	∅2.4	—//—	PLASTIC BOX 通い箱	PLASTIC TUBE プラスチックチューブ	PRE-TIN × 40	PBT GF15 NATURAL 1318384-1	



THIS DRAWING IS A CONTROLLED DOCUMENT FOR TYCO ELECTRONICS CORPORATION. IT IS SUBJECT TO CHANGE AND THE CONTROLLING ENGINEERING ORGANIZATION SHOULD BE CONTACTED FOR THE LATEST REVISION.

DWN	N. YASUDA	08MAR00
CHK	N. SAI	10MAR00
APVD	N. SAI	10MAR00

PRODUCT SPEC: SEE SHEET 1 OF 3
 APPLICATION SPEC: SEE SHEET 1 OF 3
 WEIGHT: SEE SHEET 1 OF 3

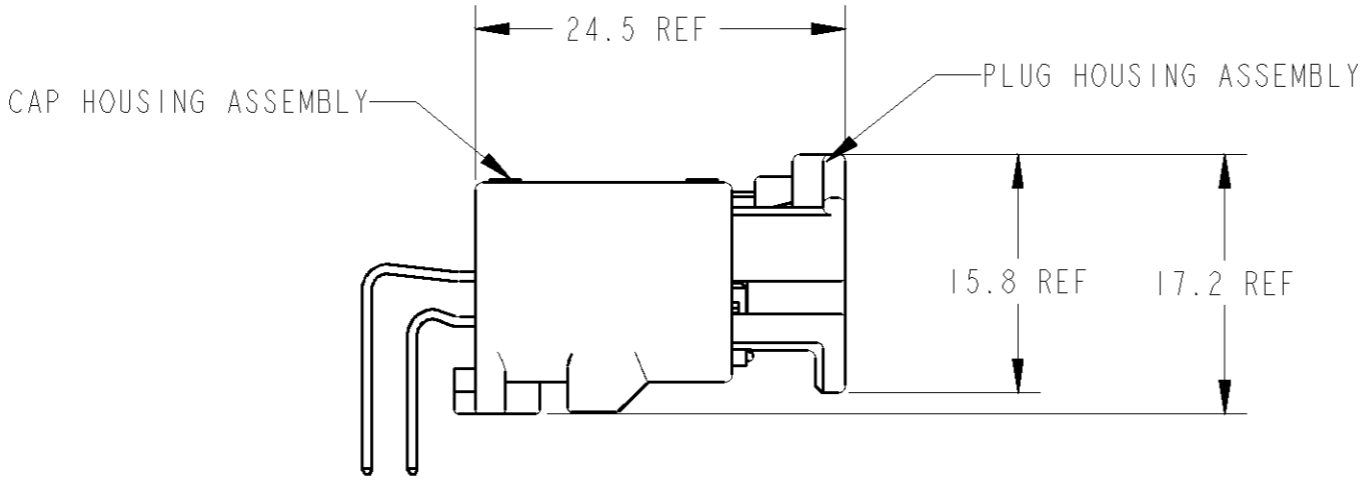
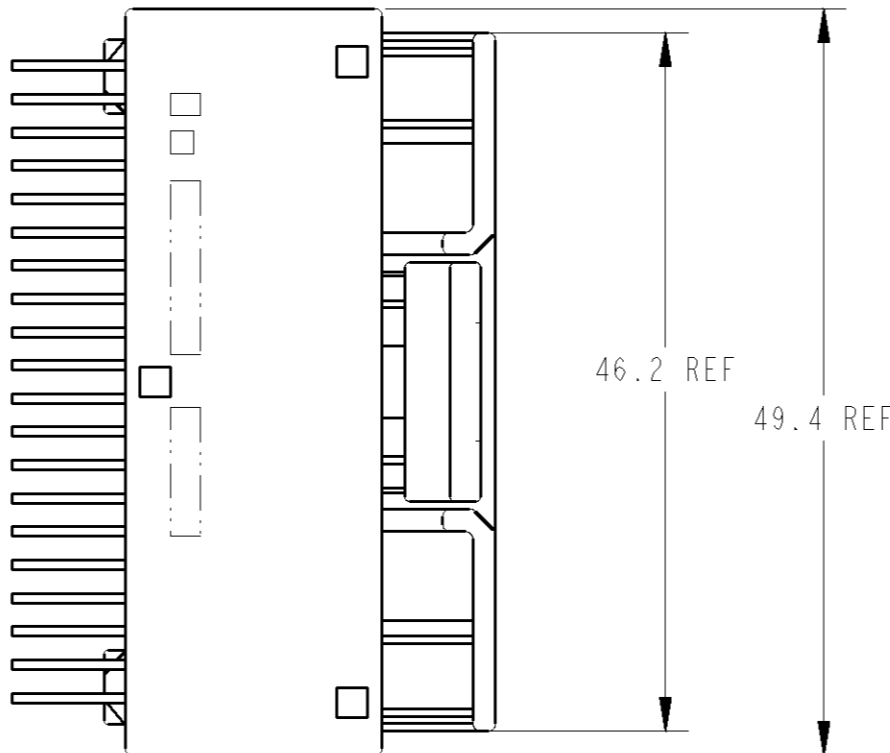
TYCO ELECTRONICS CORPORATION
 Kawasaki, Japan

025 SERIES 40P (PCB H-TYPE)
 CAP HSG ASSY

SIZE: A2 CAGE CODE: 00779 DRAWING NO: 1318384
 SCALE: 4:1 SHEET: 2 OF 3 REV: C1

THIS DRAWING IS UNPUBLISHED. RELEASED FOR PUBLICATION
 © COPYRIGHT 2000 BY TYCO ELECTRONICS CORPORATION. ALL RIGHTS RESERVED.

LOC	DIST	REVISIONS					
J		P	LTR	DESCRIPTION	DATE	DWN	APVD
		-		SEE SHEET 1	-	-	-



CAP ASSEMBLY & PLUG ASSEMBLY ENGAGEMENT DRAWING
 キャップアッセンブリ & プラグアッセンブリ 嵌合図

<small>THIS DRAWING IS A CONTROLLED DOCUMENT FOR TYCO ELECTRONICS CORPORATION IT IS SUBJECT TO CHANGE AND THE CONTROLLING ENGINEERING ORGANIZATION SHOULD BE CONTACTED FOR THE LATEST REVISION.</small>		DWN N.YASUDA 08MAR00 CHK N.SAI 10MAR00 APVD N.SAI 10MAR00		Tyco Electronics Corporation Kawasaki, Japan	
DIMENSIONS: 単位: ㎜ mm		TOLERANCES UNLESS OTHERWISE SPECIFIED: 一般公差 一般公差=±0.3 0-PLC ± ±3° 1-PLC ± 2-PLC ± 3-PLC ± 4-PLC ± ANGLES ±		NAME 025 SERIES 40 POSITION (PCB H-TYPE) 名称 CAP HOUSING ASSEMBLY	
		PRODUCT SPEC SEE SHEET 1 OF 3 APPLICATION SPEC SEE SHEET 1 OF 3 取付適用規格		SIZE A3 CAGE CODE 00779 DRAWING NO. C=1318384 RESTRICTED TO	
MATERIAL 材料 SEE SHEET 1 OF 3		FINISH 仕上 SEE SHEET 1 OF 3		WEIGHT 重量 SEE SHEET 1 OF 3 CUSTOMER DRAWING	
				SCALE 尺度 4:1 SHEET 3 OF 3 REV CI	