

CHARACTERISTICS:

ELECTRICAL:

ELECTRICAL RATINGS:		
LOAD	28 V dc - SEA LEVEL	
	RATED	OVERLOAD
INDUCTIVE	.75A	1.75A

ELECTRICAL LIFE:

RATED LOAD: 50,000 MIN OPERATING CYCLES
 OVERLOAD: 1,000 MIN OPERATING CYCLES

MECHANICAL:

MECHANICAL LIFE: 50,000 CYCLES
 ACTUATING FORCE: 7.0 +4/-0 lbs.
 FULL OVERTRAVEL FORCE: 20 lbs. MAX.
 RELEASE FORCE: 0.5 lbs. MIN.
 PRETRAVEL: .090 MIN.
 DIFFERENTIAL TRAVEL: .050 MIN.
 OVERTRAVEL: .050 MIN.
 TOTAL TRAVEL: .165 MIN.

PHYSICAL:

TEMPERATURE RANGE: -40°C TO +85°C
 ENCLOSURE DESIGN:
 WATERTIGHT PER IP68S
 WEIGHT: .25 lbs. MAX.

TERMINAL HARDWARE:

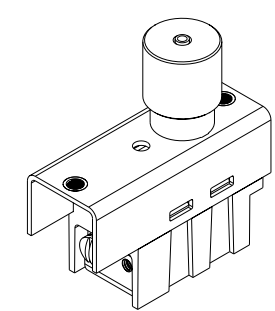
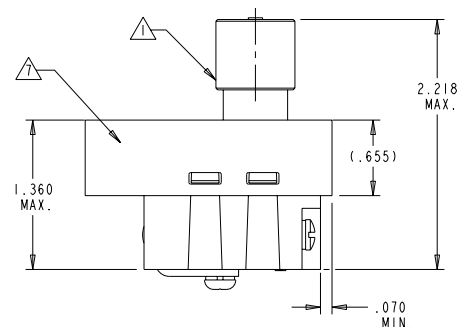
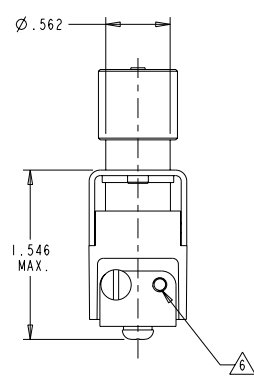
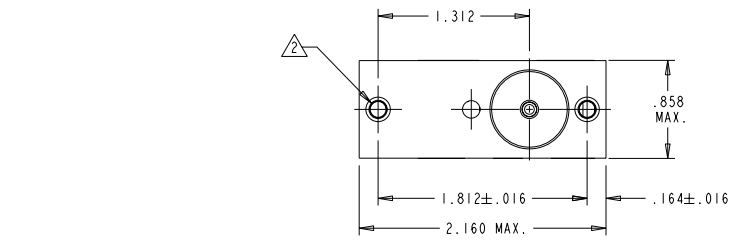
BUSS BRACKET, TERMINAL SCREWS
 AND LOCKWASHERS- SEE NOTES

MARKING:

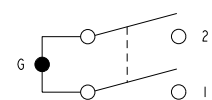
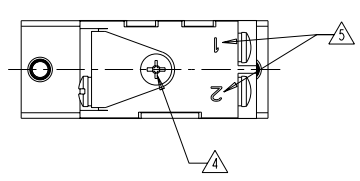
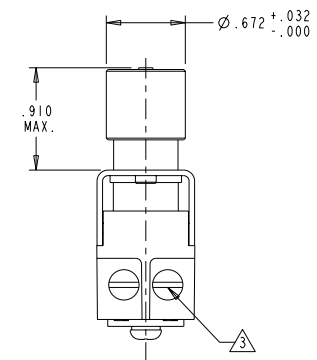
OTTO 21649
 FT55-A02
 & DATE CODE

NOTES:

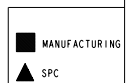
- 1 INTERNAL WIPING SEAL ON BARREL BUSHING
- 2 2 X #6-40 UNF-2B SELF LOCKING NUTS
- 3 3 X #5-40 UNC-2A .250 LONG BINDING HEAD SCREWS AND LOCKWASHERS (OPTIONAL TERMINAL "G": ONE ADDITIONAL OF EACH)
- 4 TERMINAL G #6-32 UNC-2A .250 LONG ROUND HEAD SCREW AND LOCKWASHER
- 5 TERMINAL MARKING
- 6 OPTIONAL TERMINAL "G"
- 7 MARKING LOCATION



SCALE 1:1



SCHEMATIC



UNLESS OTHERWISE SPECIFIED: DIMENSIONS ARE IN INCHES. TOLERANCES: .XX ±.03 .XXX ±.010 ANGLES ±2° DO NOT SCALE	OTTO CONTROLS DIVISION OF OTTO ENGINEERING INC. CARPENTERSVILLE, ILLINOIS USA		DESCRIPTION FT, SWITCH, FOOT ACTUATED			
	THIS DOCUMENT IS THE CONFIDENTIAL PROPERTY OF OTTO ENGINEERING, INC.. IT IS NOT TO BE USED IN ANY WAY DETRIMENTAL TO THE INTERESTS OF OTTO ENGINEERING, INC..	DRWN. KK CHKD. DK APPD. SM	SIZE B	FSCM NO 21649	DRAWING NO. FT55-A02	REV. A
	MANUFACTURING SPC	WT.	THIRD ANGLE PROJECTION	Scale 1:1	Sheet 1 OF 1	

FT55-A02			
REV	OCN #	DATE	APR
A	028492	12 AUG 05	KK