

THIS DRAWING IS UNPUBLISHED.

RELEASED FOR PUBLICATION

© COPYRIGHT- BY TYCO ELECTRONICS CORPORATION. ALL RIGHTS RESERVED.

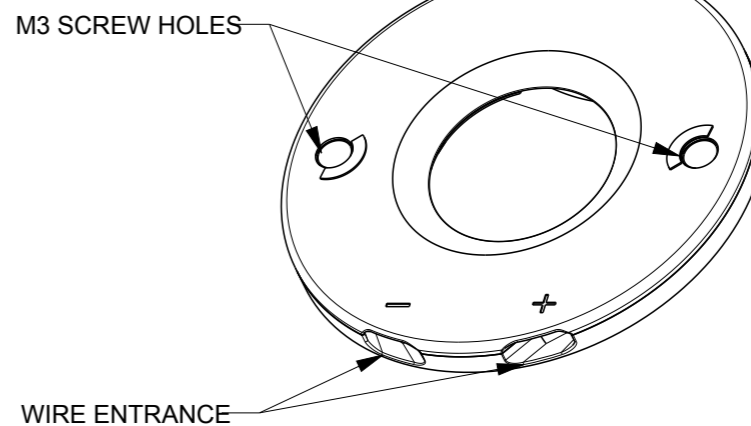
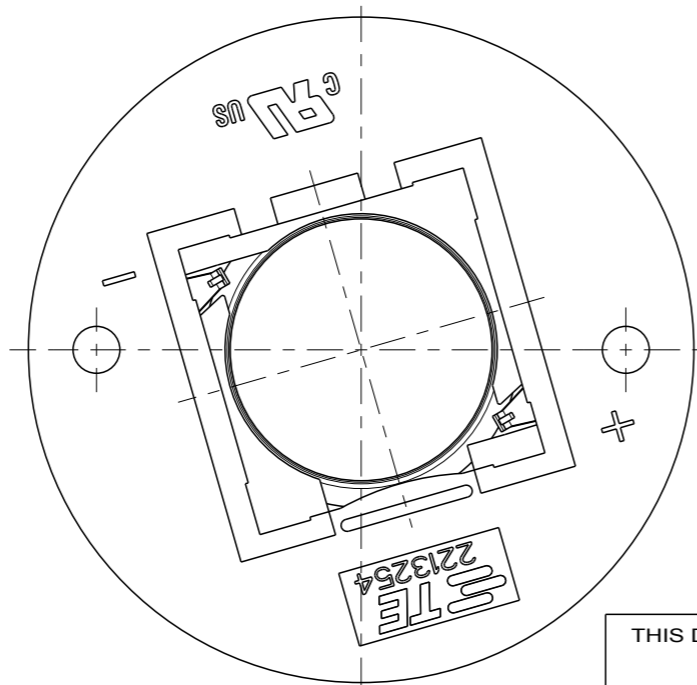
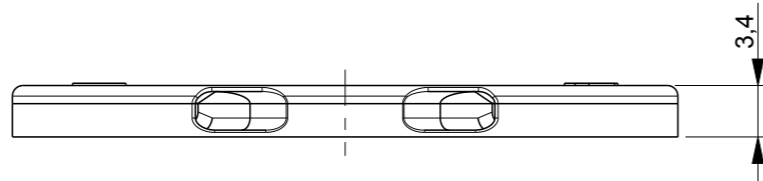
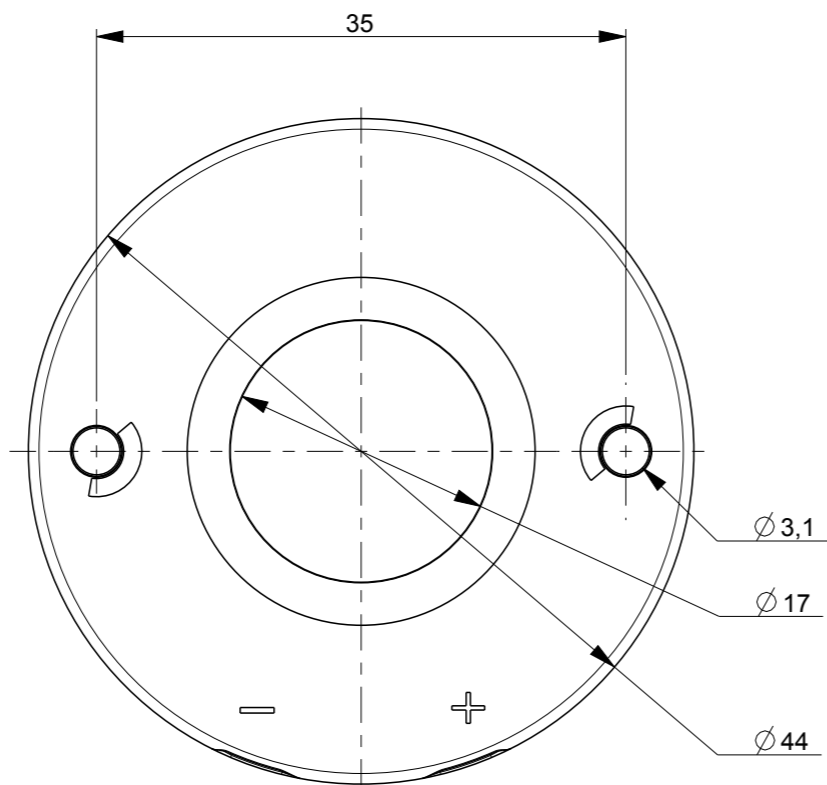
LOC H DIST -

REVISIONS

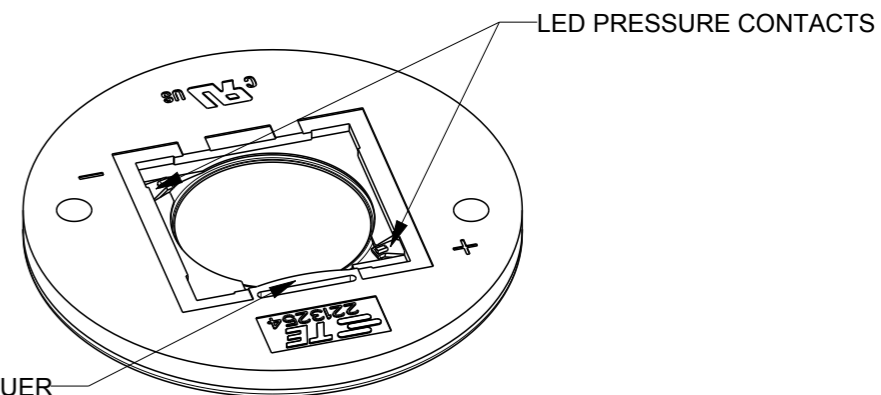
P	LTR	DESCRIPTION	DATE	DWN	APVD
A		RELEASED PER ECR-13-012395	05-AUG-13	MVE	OL
-	-		-	-	-
-	-		-	-	-

NOTES:

- 1. MATERIALS:
HOUSING: GLASS FILLED PBT
COLOR : NATURAL/WHITE
CONTACTS: SILVER PLATED COPPER ALLOY
- 2. FOR SOLID AND STRANDED WIRE AWG 22-18
- 3. COMPLIES WITH DIRECTIVE 2002/95/EC (ROHS)
- 4. M3 SCREW TO BE USED FOR MOUNTING



SCALE 3:2



2213254-1 AS SHOWN

Z50 LED HOLDER LOW PROFILE

PARTNUMBER	DESCRIPTION
2213254-2	Z50 LED HOLDER STANDARD PROFILE 1919
2213254-1	Z50 LED HOLDER LOW PROFILE 1919

THIS DRAWING IS A CONTROLLED DOCUMENT.

DIMENSIONS:	TOLERANCES UNLESS OTHERWISE SPECIFIED:
mm	
	0 PLC ±-
	1 PLC ±-
	2 PLC ±-
	3 PLC ±-
	4 PLC ±-
	ANGLES ±
MATERIAL -	FINISH -

DWN	M.V.ESSSEN	6-AUG-13
CHK	M.V.ESSSEN	6-AUG-13
APVD	O.LEIJNSE	6-AUG-13
PRODUCT SPEC	108-133008	
APPLICATION SPEC	114-32048	
WEIGHT	-	
CUSTOMER DRAWING		

TE Connectivity			
NAME Z50 LED HOLDER 1919			
SIZE	CAGE CODE	DRAWING NO	RESTRICTED TO
A3	00779	C-2213254	-
SCALE 1:1		SHEET 1 OF 3	REV A

THIS DRAWING IS UNPUBLISHED.

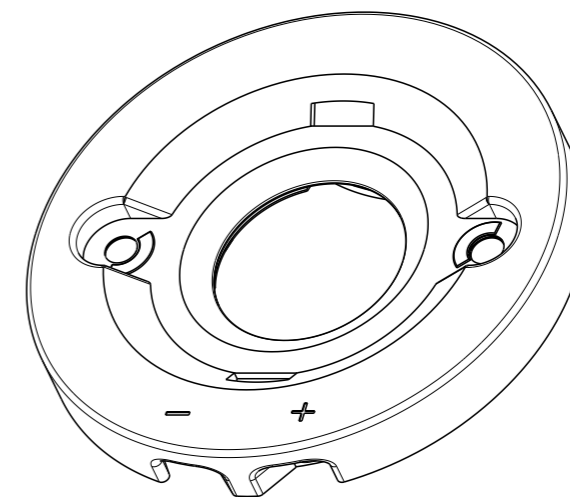
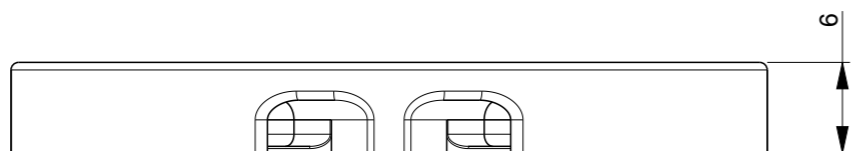
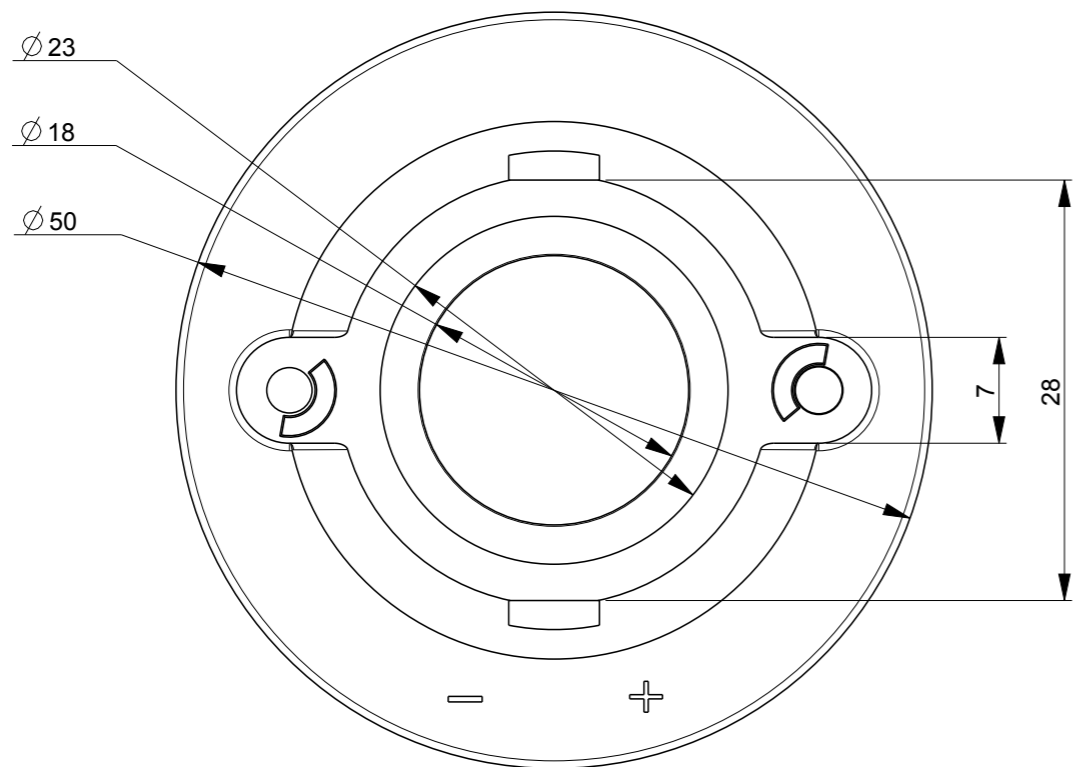
RELEASED FOR PUBLICATION

© COPYRIGHT- BY TYCO ELECTRONICS CORPORATION. ALL RIGHTS RESERVED.

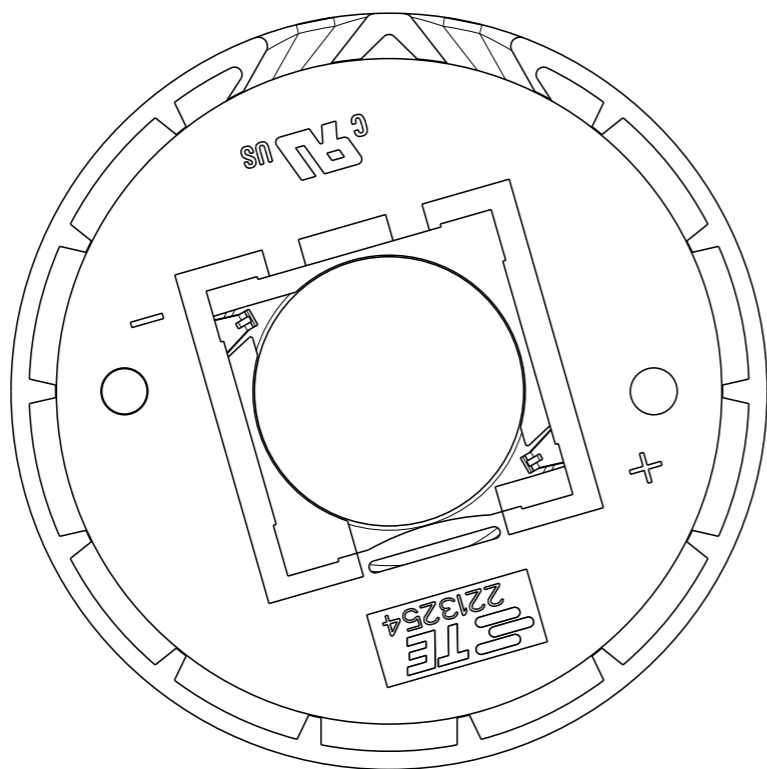
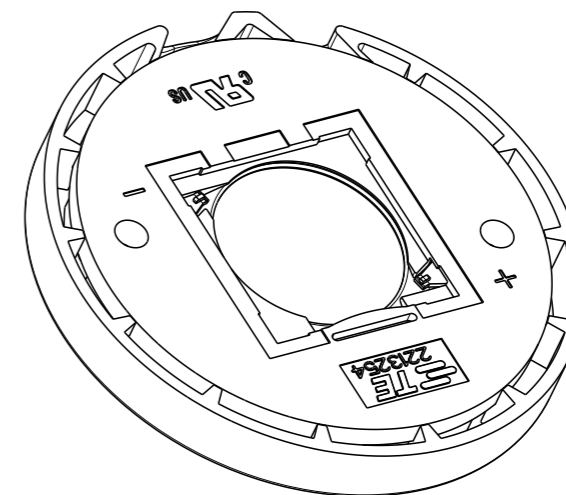
LOC H DIST -

REVISIONS

P	LTR	DESCRIPTION	DATE	DWN	APVD
	-	SEE SHEET 1	-	-	-



SCALE 3:2



2213254-2 AS SHOWN

Z50 LED HOLDER STANDARD PROFILE

THIS DRAWING IS A CONTROLLED DOCUMENT.

DIMENSIONS: mm	TOLERANCES UNLESS OTHERWISE SPECIFIED: 0 PLC ± 1 PLC ± 2 PLC ± 3 PLC ± 4 PLC ± ANGLES ±
MATERIAL -	FINISH -

DWN M.V.ESSSEN 6-AUG-13
CHK M.V.ESSSEN 6-AUG-13
APVD O.LEIJNSE 6-AUG-13
PRODUCT SPEC 108-133008
APPLICATION SPEC 114-32048
WEIGHT -
CUSTOMER DRAWING

TE Connectivity		NAME	
		Z50 LED HOLDER 1919	
SIZE	CAGE CODE	DRAWING NO	RESTRICTED TO
A3	00779	C-2213254	-
SCALE 2:1		SHEET 2 OF 3	REV A

THIS DRAWING IS UNPUBLISHED.

RELEASED FOR PUBLICATION

© COPYRIGHT- BY TYCO ELECTRONICS CORPORATION. ALL RIGHTS RESERVED.

LOC
H

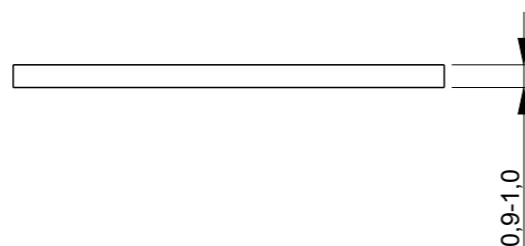
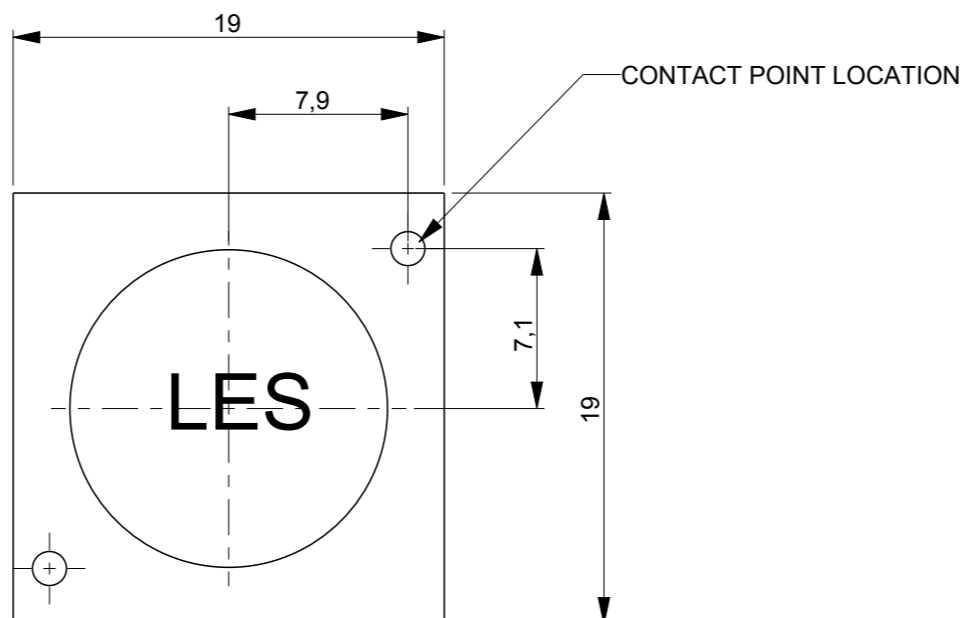
DIST
-

REVISIONS

P	LTR	DESCRIPTION	DATE	DWN	APVD
	-	SEE SHEET 1	-	-	-

THE SKETCH BELOW IS SHOWING THE NOMINAL LED COB DIMENSIONS TO MATCH WITH THE Z50 LED HOLDER 1919

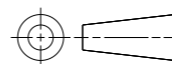
FOR TECHNICAL DETAILS ABOUT A PROPER MATCH WITH A SPECIFIC LED COB ARRAY PLEASE CONTACT A REPRESENTATIVE AT TE-CONNECTIVITY



THIS DRAWING IS A CONTROLLED DOCUMENT.

DIMENSIONS:

mm



TOLERANCES UNLESS OTHERWISE SPECIFIED:

- 0 PLC ±-
- 1 PLC ±-
- 2 PLC ±-
- 3 PLC ±-
- 4 PLC ±-
- ANGLES ±

MATERIAL

-

FINISH

-

DWN 6-AUG-13

M.V.ESSSEN

CHK 6-AUG-13

M.V.ESSSEN

APVD 6-AUG-13

O.LEIJNSE

PRODUCT SPEC

108-133008

APPLICATION SPEC

114-32048

WEIGHT

-

NAME



TE Connectivity

Z50 LED HOLDER
1919

SIZE

A3

CAGE CODE

00779

DRAWING NO

C-2213254

RESTRICTED TO

-

CUSTOMER DRAWING

SCALE

-

SHEET

3

OF

3

REV

A